

<b>Part No.</b>	<b>Reference No.</b>	<b>Quantity</b>	<b>Description</b>
75001120#FURUP209~S	*		BLOWER ASSEMBLY
75000676#FURUP209~S	*		BURNER ASSEMBLY
FUR209_FURUP209_143386~P	*		FURUP209 PARTS LIST
75002435#FURUP209~S	*		GENERAL ASSEMBLY
75007576#FURUP209~S	*		INDUCED BLOWER & FLUE ASSEMBLY
75008227#FURUP209~S	*		MODEL NUMBER NOMENCLATURE
OPTIONS#FURUP209~S	*		OPTIONAL ACCESSORIES

NO GRAPHIC AVAILABLE

75013702

REV  
A

**NO  
GRAPHIC  
AVAILABLE**



Part No.	Reference No.	Quantity	Description
75002435_FURUP209_210512~P	*		GENERAL ASSEMBLY PARTS LIST

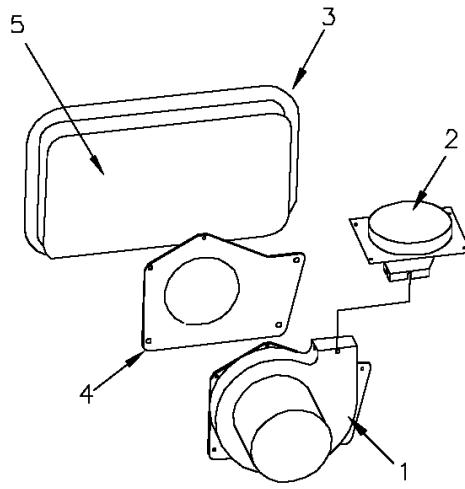


Part No.	Reference No.	Quantity	Description
CLP00882	*	2	CLIP; LATCH
GLS00164	*	1	PLUG; 0.75 MTG HOLE SNAP-IN
GRM00855	*	1	GROMMET; 1.75 WIDE X .18 THICK, MOLDED CHLOROPRENE, 80 DUROMETER
LAT00833	*	2	LATCH; 1/4 TURN LATCH, BLACK KNOB, NICKEL BARREL. INCLUDES LATCH CLIP CLP00882.
PAI00074	*	1	PAINT; SPRAY, SLATE GREY, FULL GLOSS(88) (SHIPPING UOM 12 OZ HAZ)
PLT03594	*	1	PLATE; DOOR MOUNTING, UPFLOW, 17.50 CABINET SIZE
SCR00968	*	12	SCREW; 10-16 HEX WASHER, TYPE B, THREAD FORMING SCREW, 0.31 THREAD LENGTH, STEEL W/ZINC FINISH
TUB08301	*	1	TUBE; PRESSURE SWITCH, STAINLESS STEEL, .025 O.D. .035 WALL THK.
WIR02359	*	1	WIRE;12 PIN WIRE HARNESS ASSEMBLY
WIR02705	*	1	WIRE; REPLACEMENT IGNITOR AND INDUCER WIRE HARNESS (4 PIN 1 STAGE HARNESS)
CBT01414	1	1	CABINET; REPLACEMENT WRAPPER ASSEMBLY
EXC00998	2	1	EXCHANGER; HEAT
DOR02808	3	1	DOOR; BLOWER DOOR
COV03067	5	1	COVER; REPLACEMENT TOP COVER ASSEMBLY
COV03165	6	1	COVER; PANEL, TOP ONLY
SPG00309	7	1	SPRING; DOOR RETAINER,INCLUDED IN COVER ASSEMBLY
RIV00071	8	4	RIVET; POP, QTY 100 PER BOX COMPLETE COVER ASSEMBLY WILL INCLUDE THIS
CNL00955	9	1	CHANNEL; BOTTOM
PNN03250	12	1	PANEL; BOTTOM
DOR02640	13	1	DOOR; BURNER ONLY
DOR02632	14	1	DOOR; REPLACEMENT BLOWER DOOR ASM
PLT03566	15	1	PLATE; NAMEPLATE ASSEMBLY - AMERICAN STANDARD
BAF00853	16	2	BAFFLE; HEAT EXCHANGER
IRT00020	18	4	INSERT; BURNER
BOX01499	19	1	BOX; JUNCTION BOX
COV03320	20	1	COVER; JUNCTION BOX COVER
BUS00300	21	1	BUSHING; STRAIN RELIEF
MNT02206	22	1	MOUNT; IFC CONTROL PLATFORM
CNT07541	23	1	CONTROL; 1 STAGE, 120V HSI, 1 SPEED IND WITHOUT COVER
TRR01816	24	1	TRANSFORMER;
SWT01714	26	1	SWITCH; DOOR SPST, 21 AMP, 125/250VAC
BRK01989	27	1	BRACKET; DOOR SWITCH
SWT01263	28	1	SWITCH;THERMAL LIMIT, OPEN AT 210, CLOSE AT 180 DEG. F
SHD00194	30	1	SHIELD;LIMIT
SWT02293	32	1	SWITCH; PRESSURE, 1 POLE, N.O., 1/10 HP, 3 FLA, 18 LRA, 120 VAC, OPEN AT -0.45 TO -0.55 WC, CLOSE AT -0.65 (IS2)
HSE00334	33	1	HOSE; PRESSURE SWITCH

Induced Blower and Flue Assembly

75007576

REV  
A



This is a typical illustration. The unit in the field may not appear exactly as shown.

Parts List Number :FUR209#FURUP209

Model Number :AUD1B080A9481BB

Part No.	Reference No.	Quantity	Description
75007576_FURUP209_186696~P	*		INDUCED BLOWER & FLUE ASSEMBLY PARTS LIST

Induced Blower and Flue Assembly

75007576

REV  
A



This is a typical illustration. The unit in the field may not appear exactly as shown.

## INDUCED BLOWER &amp; FLUE ASSEMBLY PARTS LIST

Parts List Number :FUR209#FURUP209

Model Number :AUD1B080A9481BB

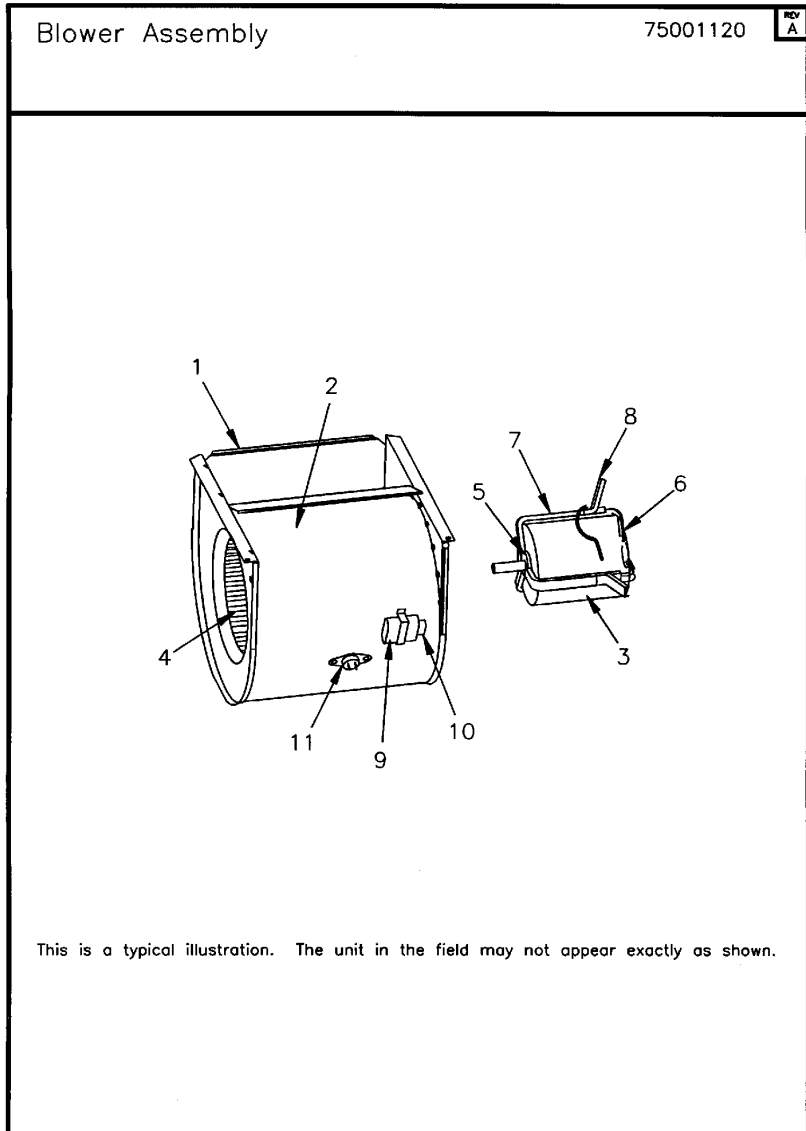
<b>Part No.</b>	<b>Reference No.</b>	<b>Quantity</b>	<b>Description</b>
BLW00887	1	1	BLOWER; INDUCED, 1 STAGE
ADP00337	2	1	ADAPTER; FLUE TRANSITION ASSEMBLY
GKT02604	3	1	GASKET;COLLECTOR BOX
GKT03081	4	1	GASKET; VENTER ASSEMBLY
FLU00141	5	1	FLUE; COLLECTOR ASM.



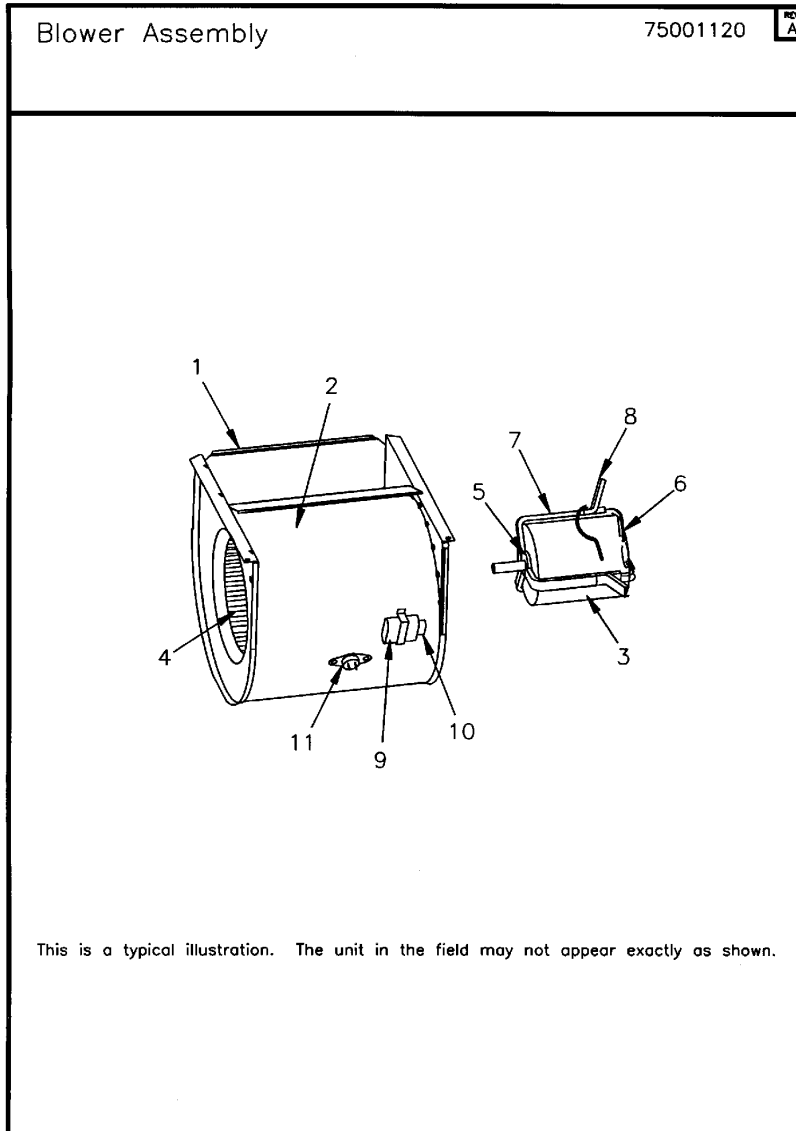
Part No.	Reference No.	Quantity	Description
75000676_FURUP209_186689~P	*		BURNER ASSEMBLY PARTS LIST



Part No.	Reference No.	Quantity	Description
COV03462	1	1	COVER; BURNER, 12.10 LG
SUP02127	2	1	SUPPORT; BURNER-RIGHT HAND
VAL09029	3	1	VALVE; GAS, SLOW OPENING 1/2-14 NPT, 24V, 50/60 HZ, "J" SERIES
ORF00644	4	4	ORIFICE;SPUD, #45 DRILL
MFD00526	5	1	MANIFOLD;PIPE ASSEMBLY, 4 BURNER
IGN00152	6	1	MIN=12/12 IGNITER; SILICON-NITRIDE, 120V, INCLUDES BRACKET AND SCREWS
BRK03336	7	1	BRACKET; SiNi IGNITOR BRACKET
SEN01114	8	1	SENSOR; FLAME, NIKROTHAL 80 MATERIAL
BRK01528	9	1	BRACKET; BURNER
BNR01074	10	4	BURNER; ALUMINUM STL, .50 INSERT DIA, TOG-L-LOC
SWT02173	11	2	SWITCH; SWITCH-FLAME ROLLOUT
SUP02126	12	1	SUPPORT; BURNER-LEFT HAND
BRK01961	13	1	BRACKET; TOP



Part No.	Reference No.	Quantity	Description
75001120_FURUP209_210511~P	*		BLOWER ASSEMBLY PARTS LIST



Part No.	Reference No.	Quantity	Description
BLW00549	1	1	BLOWER; COMPLETE ASM.
HUS01623	2	1	HOUSING;BLOWER
MOT16953	3	1	MOTOR; 1/3 HP, 115/60/1 1075 RPM, 48 FRAME, PSC SLEEVE BEARING, 10 MFD AT 370V, CCW
WHL02923	4	1	WHEEL; BLOWER, 10.6 IN DIA, 8 IN WIDTH, 0.50 IN BORE, CW
RNG00957	5	2	RING; RESILIENT, 2.5 OD
BRK00690	6	1	BRACKET; ASSEMBLY, SHORT, 4.06 X 2.31, INCLUDES RING CUP
BRK00691	7	1	BRACKET; ASSEMBLY, LONG, 5.00 X 2.39, INCLUDES RING CUP
SUP03399	8	3	SUPPORT; HANGER
SRP00841	9	1	STRAP;
CPT00088	10	1	CAPACITOR; RUN, 10 MFD, 440V OVAL, W/O RESISTOR
SWT01778	11	1	SWITCH; REVERSE FLOW, OPEN AT 140F,CLOSE AT 125, 1/2 IN.

MODEL NUMBER DESCRIPTION		75008227	REV A
FURNACES			
T U D 1 A 0 8 0 A 9 3 6 1 A A 1 2 3 4 5 6 7 8 9 10 11 12 13 14 15			
<p>Digit 1 Brand T = Trane A = American Standard C = STANDARD</p> <p>Digit 2 Configuration H = Horizontal U = Upflow or Upflow/Horizontal D = Downflow or Downflow/Horizontal M = Multiphase 4-Way</p> <p>Digit 3 Product Family B = 80% Induced Draft Standard "Tradenames" E = 80% Induced Draft Standard D = 80% Induced Draft Premium C = 90% Condensing 1 Pipe X = 90% Direct Vent 1 or 2 Pipe</p> <p>Digit 4 Heating Stages 1 = Single Stage 2 = Two Stage 3 = Three Stage V = Modulating</p> <p>Digit 5 Cabinet Width A = 14.5" Cabinet Width B = 17.5" Cabinet Width C = 21.0" Cabinet Width D = 24.5" Cabinet Width</p> <p>Digits 6,7,8 Capacity 080 = Heating Input MBTUH</p>	<p>Digit 9 Major Modification A = Major Design Change</p> <p>Digit 10 Voltage 9 = 115 Volts / Natural Gas F = 115 Volts / Natural Gas with Integrated Electronic Filter</p> <p>Digits 11 &amp; 12 Airflow-Blower Type 36 = 3 Ton Standard PSC Motor H3 = 3 Ton High Efficiency Motor V3 = 3 Ton Variable Speed Motor</p> <p>Digit 13 Draft Inducer Speed 1 = Single Speed 2 = Two speed V = Variable Speed</p> <p>Digit 14 Minor Modification A = Minor Design Change</p> <p>Digit 15 Service Digit A = Service Digit</p>		

Part No.	Reference No.	Quantity	Description
75008227_FURUP209_143397-P	*		MODEL NUMBER NOMENCLATURE PARTS LIST

MODEL NUMBER DESCRIPTION		75008227	REV A
FURNACES			
T U D 1 A 0 8 0 A 9 3 6 1 A A 1 2 3 4 5 6 7 8 9 10 11 12 13 14 15			
<p>Digit 1 Brand T = Trane A = American Standard C = STANDARD</p> <p>Digit 2 Configuration H = Horizontal U = Upflow or Upflow/Horizontal D = Downflow or Downflow/Horizontal M = Multiphase 4-Way</p> <p>Digit 3 Product Family B = 80% Induced Draft Standard "Tradenames" E = 80% Induced Draft Standard D = 80% Induced Draft Premium C = 90% Condensing 1 Pipe X = 90% Direct Vent 1 or 2 Pipe</p> <p>Digit 4 Heating Stages 1 = Single Stage 2 = Two Stage 3 = Three Stage V = Modulating</p> <p>Digit 5 Cabinet Width A = 14.5" Cabinet Width B = 17.5" Cabinet Width C = 21.0" Cabinet Width D = 24.5" Cabinet Width</p> <p>Digits 6,7,8 Capacity 080 = Heating Input MBTUH</p>	<p>Digit 9 Major Modification A = Major Design Change</p> <p>Digit 10 Voltage 9 = 115 Volts / Natural Gas F = 115 Volts / Natural Gas with Integrated Electronic Filter</p> <p>Digits 11 &amp; 12 Airflow-Blower Type 36 = 3 Ton Standard PSC Motor H3 = 3 Ton High Efficiency Motor V3 = 3 Ton Variable Speed Motor</p> <p>Digit 13 Draft Inducer Speed 1 = Single Speed 2 = Two speed V = Variable Speed</p> <p>Digit 14 Minor Modification A = Minor Design Change</p> <p>Digit 15 Service Digit A = Service Digit</p>		

OPTIONAL ACCESSORIES

Parts List Number :FUR209#FURUP209

Model Number :AUD1B080A9481BB

Part No.	Reference No.	Quantity	Description
OPTIONS_FURUP209_143398-P	*		OPTIONAL ACCESSORIES PARTS LIST

NO GRAPHIC AVAILABLE

75013702

REV  
A

**NO  
GRAPHIC  
AVAILABLE**

Part No.	Reference No.	Quantity	Description
FLR01585	*	1	FILTER, ACCESS DOOR KIT ASM (BAYFLTR206)
FLR01586	*	1	FILTER; FRAMED FILTER KIT ASSY (BAYFLTR324) FOR REPLACEMENT FILTER ONLY USE FLR1488
FLR01587	*	1	FILTER; FRAMED FILTER KIT ASSY (BAYFLTR321) FOR REPLACEMENT FILTER ONLY USE FLR1487
FLR01588	*	1	FILTER; FRAMED FILTER KIT ASSY (BAYFLTR317) FOR REPLACEMENT FILTER ONLY USE FLR01486
FLR01603	*	1	FILTER; FRAMED FILTER KIT ASSY (BAYFLTR203) FOR REPLACEMENT FILTER ONLY USE FLR01611
FLR01604	*	1	FILTER; FRAMED FILTER KIT ASSY (BAYFLTR204)
FLR01605	*	1	FILTER; FRAMED FILTER KIT ASSY (BAYFLTR205) FOR FILTER REPLACEMENT ONLY USE FLR01613
FLR05570	*	1	FILTER; FRAME ASSEMBLY (BAYFLTR200)
KIT02503	*	1	KIT-HEAT PUMP ASSY (TAYPLUS103A)
KIT07315	*	1	KIT; MASONRY CHIMNEY
KIT07475	*	1	KIT; KIT, FILTER RACK (BAYRACK960A)
KIT07484	*	1	KIT; PRESSURE SWITCH HIGH ALTITUDE KIT, FOR SWITCH ONLY SWT02848 (BAYHALT248)
KIT07613	*	1	KIT; PROPANE CONVERSION (INCLUDES 'G' VALVE INSTRUCTIONS, BAYLPKT210B)
KIT07831	*	1	KIT; OUTDOOR THERMOSTAT (TAYSTAT250B)
KIT09199	*	1	KIT; LP KIT W/STAINLESS STEEL BURNERS ('G' VALVE INSTRUCTIONS INCLUDED) (BAYLPSS210B)