

| Part No. | Reference No. | Quantity | Description |
|--------------------------|----------------------|-----------------|----------------------------------|
| 75000513#FURUP159~S | * | | BLOWER ASSEMBLY |
| 75000955#FURUP159~S | * | | BURNER ASSEMBLY |
| FUR159_FURUP159_167426~P | * | | FURUP159 PARTS LIST |
| 75004467#FURUP159~S | * | | GENERAL ASSEMBLY |
| 75000987#FURUP159~S | * | | INDUCED BLOWER AND FLUE ASSEMBLY |
| 75008227#FURUP159~S | * | | MODEL NUMBER NOMENCLATURE |

NO GRAPHIC AVAILABLE

75013702

REV
A

**NO
GRAPHIC
AVAILABLE**

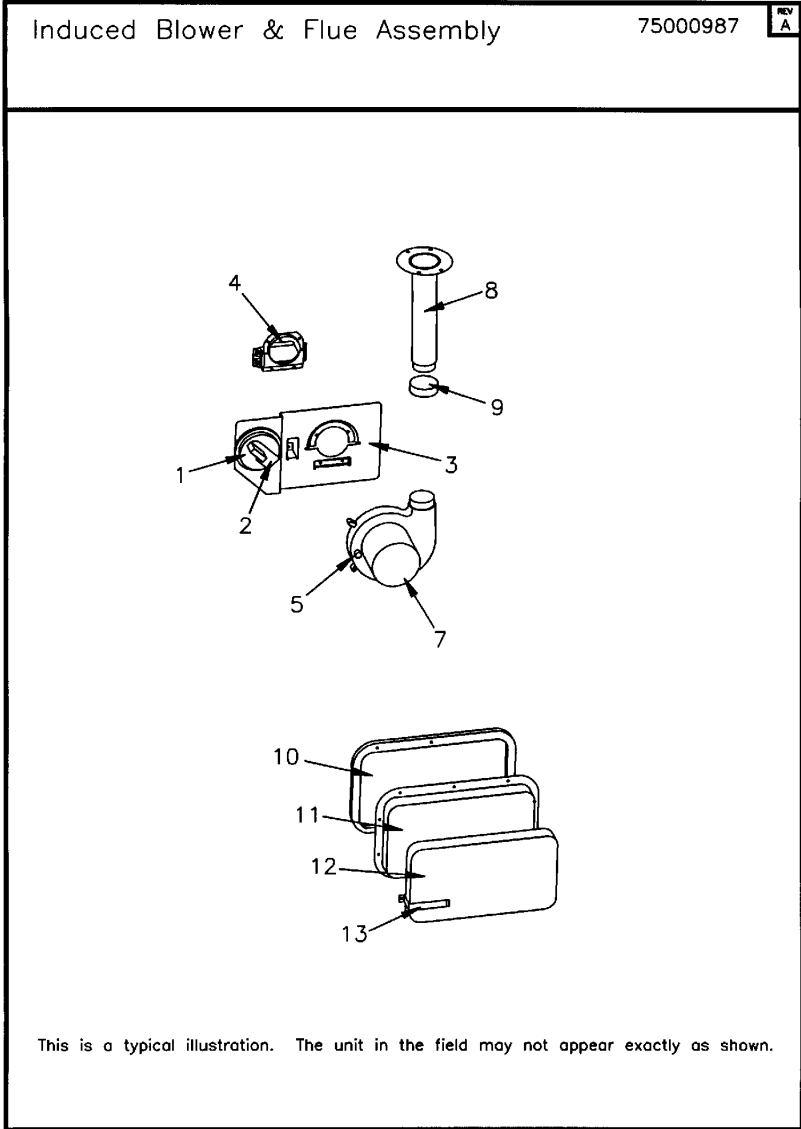


| Part No. | Reference No. | Quantity | Description |
|----------------------------|---------------|----------|-----------------------------|
| 75004467_FURUP159_338927~P | * | | GENERAL ASSEMBLY PARTS LIST |



| Part No. | Reference No. | Quantity | Description |
|----------|---------------|----------|---|
| BUS00402 | * | 1 | BUSHING; SNAP |
| BUS01429 | * | 1 | BUSHING; SNAP, .83 O.D. X .63 I.D. X .25, BLACK, NYLON, .75 MOUNTING HOLE DIA. |
| CLP00195 | * | 2 | CLIP; SPRING |
| CLP00886 | * | 1 | CLIP; ACCESS PANEL |
| CLP00887 | * | 1 | CLIP; FILTER RETAINER ASSEMBLY. INCLUDES: SPG00309 AND RTR00133 |
| CON00336 | * | 1 | CONNECTOR; (BARB TUBE) |
| CON00374 | * | 1 | CONNECTOR; 12 PIN MALE |
| CPL00938 | * | 1 | COUPLING; REDUCING COUPLING ASSEMBLY - INCLUDES C341097P01 (CPL00838) AND A341677P01 (POLYPROPYLENE PAD). 2.00 TO 3.0 WHITE PVC COUPLING ADAPTER. |
| DOR00660 | * | 1 | DOOR; FURNACE DOOR ONLY, WITH SIGHT GLASS HOLE, PAINT COLOR: POLYSLATE GRAY. |
| DOR03129 | * | 1 | DOOR; BURNER ONLY, WITH HANDLE CUTOUT, LOUVERED, COLOR: POLYSLATE GRAY. 19.96 X 23.63 FOR ASSEMBLY USE DOR03133. |
| FUS01089 | * | 1 | FUSE; 5 AMP, TAN, AUTOMOTIVE STYLE |
| GRM00217 | * | 1 | GROMMET; BURNER BOX ENTRY SEAL |
| HDL00832 | * | 1 | HANDLE; DOOR HANDLE |
| PLU00510 | * | 1 | PLUG; |
| SHD00243 | * | 1 | SHIELD; RADIATION |
| TUB08058 | * | 1 | TUBE-FEMALE TRANSFER |
| TUB08156 | * | 1 | TUBE;MALE TRANSFER |
| WIR04588 | * | 1 | WIRE; HARNESS ASSEMBLY, INCLUDING INDUCER/IGNITOR HARNESS W/4PIN MALE CONNECTOR AND CONTROL HARNESS W/12 PIN MALE CONNECTOR. |
| CBT01508 | 1 | 1 | CABINET; REPLACEMENT WRAPPER ASSEMBLY |
| EXC01979 | 2 | 1 | EXCHANGER; HEAT EXCHANGER WITH RCT00851. |
| DOR00936 | 3 | 1 | DOOR; REPLACEMENT FURNACE DOOR ASSEMBLY, POLYSLATE GRAY, INCLUDES: GLS00164 AND CLP00886. DOOR ONLY IS DOR00660 |
| COV02146 | 5 | 1 | COVER; TOP PANEL ASSEMBLY,COMPLETE WITH SPG00309 PLUS RIV00071 |
| COV02498 | 6 | 1 | COVER; TOP COVER ONLY. PAINTED. COMPLETE ASM. IS COV02146 |
| SPG00309 | 7 | 1 | SPRING; DOOR RETAINER,INCLUDED IN COVER ASSEMBLY |
| RIV00071 | 8 | 1 | RIVET; POP. QTY 100 PER BOX COMPLETE COVER ASSEMBLY WILL INCLUDE THIS |
| CNL00957 | 9 | 1 | CHANNEL; BOTTOM |
| PNN03252 | 10 | 1 | PANEL;BOTTOM |
| RTR00133 | 12 | 1 | RETAINER, FILTER |
| DOR03133 | 13 | 1 | DOOR; REPLACMENT BURNER ASSEMBLY W/HANDLE. FOR DOOR ONLY USE DOR03129. |
| GLS00164 | 14 | 1 | PLUG; 0.75 MTG HOLE SNAP-IN |
| PLT04236 | 15 | 1 | PLATE; AMERICAN STANDARD APPEARANCE NAMEPLATE, 6.50 X 1.11 |
| BAF00854 | 16 | 1 | BAFFLE; HEAT EXCHANGER |
| IRT00020 | 18 | 6 | INSERT; BURNER |
| BOX01499 | 19 | 1 | BOX; JUNCTION BOX |
| COV03320 | 20 | 1 | COVER; JUNCTION BOX COVER |
| BUS00300 | 21 | 1 | BUSHING; STRAIN RELIEF |
| MNT02206 | 22 | 1 | MOUNT; IFC CONTROL PLATFORM |
| CNT02891 | 23 | 1 | CONTROL; IFC |
| TRR01816 | 24 | 1 | TRANSFORMER; |
| GRM00855 | 25 | 1 | GROMMET; 1.75 WIDE X .18 THICK, MOLDED CHLOROPRENE, 80 DUROMETER |
| BRK01989 | 26 | 1 | BRACKET; DOOR SWITCH |
| SWT01714 | 27 | 1 | SWITCH; DOOR SPST, 21 AMP, 125/250VAC |
| SWT01612 | 28 | 1 | SWITCH; THERMAL LIMIT, OPEN AT 190, CLOSE AT 160 DEG F, 5.8 FLA @ 120V |
| GKT03506 | 29 | 1 | GASKET; LIMIT SWITCH |

| Part No. | Reference No. | Quantity | Description |
|-----------------|----------------------|-----------------|--|
| TRP00007 | 30 | 1 | TRAP; CANNISTER |
| TUB11753 | 31 | 1 | TUBE; CONDENSATE TUBE ASSEMBLY, COLD HEADER TO CANISTER TRAP. INCLUDES HOSE AND CLAMP. |
| TUB11759 | 32 | 1 | TUBE; CONDENSATE TUBE ASSY, TRAP TO FURNACE CABINET (FIELD CONNECTION). INCLUDES HOSE, CLAMP, BARBED ADAPTER, COUPLING, SMALL HOSE W/ BARBED CONNECTOR |
| TUB11750 | 35 | 1 | TUBE; CONDENSATE TUBE ASSEMBLY, INDUCER TO CANISTER TRAP. INCLUDES HOSE AND CLAMP. |
| COI00054 | 37 | 1 | COIL; RECOUP ASSEMBLY |
| SUP02793 | 38 | 1 | SUPPORT; HEAT EXCHANGER |



Parts List Number :FUR159#FURUP159

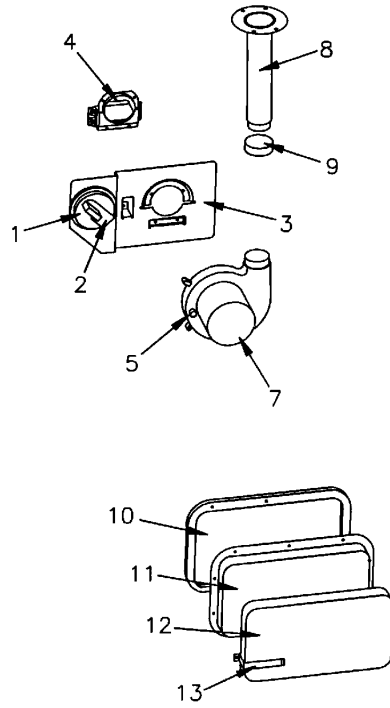
Model Number :AUC1D120A9601AB

| Part No. | Reference No. | Quantity | Description |
|----------------------------|---------------|----------|---|
| 75000987_FURUP159_338926~P | * | | INDUCED BLOWER AND FLUE ASSEMBLY PARTS LIST |

Induced Blower & Flue Assembly

75000987

REV
A



This is a typical illustration. The unit in the field may not appear exactly as shown.

Parts List Number :FUR159#FURUP159

Model Number :AUC1D120A9601AB

| Part No. | Reference No. | Quantity | Description |
|----------|---------------|----------|--|
| SWT02685 | * | 1 | SWITCH; LIMIT INDUCER, OPEN 155 DEG, CLOSE 95 DEG F |
| SWT03221 | 1 | 1 | SWITCH; PRESSURE, 28 VA PILOT DUTY 24 VAC, 125 VA PILOT DUTY 120 VAC. , 1/10 HP, 3 FLA, 18 LRA 24 VAC. OPEN AT -1.36 WC, CLOSE AT -1.55 WC |
| MNT02266 | 3 | 1 | MOUNT; INDUCER MOTOR MOUNTING PLATE, GALVANIZED STEEL |
| RCT00851 | 4 | 1 | RECEPTACLE; TRANSITION INCLUDING FOUR MOUNTING SCREWS |
| CAP00453 | 5 | 1 | CAP; VINYL |
| BLW00861 | 7 | 1 | BLOWER; INDUCER DRAFT, 1-STAGE, WITH PERMANENT SPLIT CAPACITOR (PSC) MOTOR |
| PIP00364 | 8 | 1 | PIPE; FLUE, MOLDED |
| CMP00381 | 9 | 1 | CLAMP; FLUE STACK PIPE TO INDUCED BLOWER |
| GKT02606 | 10 | 1 | GASKET;COLLECTOR BOX |
| BOX00581 | 11 | 1 | BOX; FLUE COLLECTOR |
| INS01974 | 12 | 1 | INSULATION; COLLECTOR BOX |



| Part No. | Reference No. | Quantity | Description |
|----------------------------|---------------|----------|----------------------------|
| 75000955_FURUP159_338925~P | * | | BURNER ASSEMBLY PARTS LIST |



| Part No. | Reference No. | Quantity | Description |
|----------|---------------|----------|--|
| COV03153 | * | 1 | COVER; FRONT ASSEMBLY REPLACEMENT COVER W/SIGHT GLASS |
| BRK01963 | 1 | 1 | BRACKET; TOP |
| BRK01530 | 2 | 1 | BRACKET; BURNER |
| SUP02127 | 3 | 1 | SUPPORT; BURNER-RIGHT HAND |
| SUP02126 | 4 | 1 | SUPPORT; BURNER-LEFT HAND |
| BOX01405 | 5 | 1 | BOX; DIRECT VENT |
| COV02563 | 6 | 1 | COVER; TOP, DIRECT VENT |
| VAL07731 | 7 | 1 | VALVE; GAS CONTROL WITH BARBED FITTING, FAST OPEN, 24V, 50/60 HZ, 1/2 NPT INLET AND OUTLET |
| PIP00343 | 8 | 1 | PIPE; COMPOUND |
| BNR01074 | 9 | 6 | BURNER; ALUMINUM STL, .50 INSERT DIA, TOG-L-LOC |
| ORF00644 | 10 | 6 | ORIFICE;SPUD, #45 DRILL |
| MFD00738 | 11 | 1 | MANIFOLD, GAS |
| IGN00054 | 12 | 1 | IGNITOR; HOT SURFACE, 120V AT 3.5 AMP |
| SUP03418 | 13 | 1 | SUPPORT; IGNITOR |
| COV03012 | 14 | 1 | COVER; FRONT, D.V. |
| SEN01114 | 15 | 1 | SENSOR; FLAME, NIKROTHAL 80 MATERIAL |
| SWT02124 | 16 | 1 | SWITCH; SWITCH-FLAME ROLLOUT, 82 DEGREES C, 180 DEGREES F, NON-TRIP FREE, 5.8 FLA, 34.8 LRA AT 120 VAC, 24 VAC, MANUAL RESET, FIXED TEMPERATURE THERMOSTAT AND NON-ADJUSTABLE. |
| GLS00820 | 18 | 1 | GLASS; SIGHT |
| PLT02088 | 19 | 1 | PLATE;DEFLECTOR |
| GKT03082 | 21 | 1 | GASKET; INLET, 4.0 X 4.0 NONWOVEN FIBERGLASS |
| ADP01053 | 22 | 1 | ADAPTER; FLUE CONNECTOR WITH PERFORATED AIR DIFFUSER, 3 INCH DIAMETER, PLASTIC |

Blower Assembly

75000513

REV
A



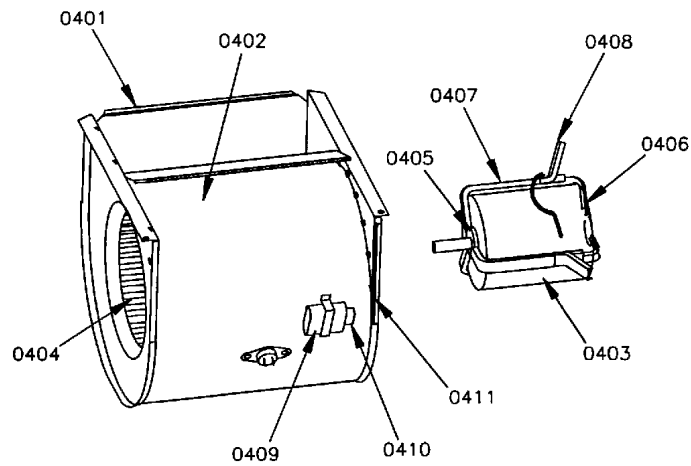
This is a typical illustration. The unit in the field may not appear exactly as shown.

| Part No. | Reference No. | Quantity | Description |
|----------------------------|---------------|----------|----------------------------|
| 75000513_FURUP159_314881~P | * | | BLOWER ASSEMBLY PARTS LIST |

Blower Assembly

75000513

REV
A



This is a typical illustration. The unit in the field may not appear exactly as shown.

| Part No. | Reference No. | Quantity | Description |
|-----------------|----------------------|-----------------|---|
| BLW00670 | 0401 | 1 | BLOWER; ASSEMBLY COMPLETE |
| HUS03420 | 0402 | 1 | HOUSING; REPLACEMENT BLOWER HOUSING ASSEMBLY |
| MOT11994 | 0403 | 1 | MOTOR; 3/4 HP, 115/60/1, 1100 RPM, TYPE PSC, 48 FRAME, CCW, SLEEVE BEARING, 15 MFD @ 370V, INCLUDES RESILIENT RINGS |
| WHL02057 | 0404 | 1 | WHEEL; BLOWER, 11.7 X 10.6, .50 BORE, CW ROTATION |
| BRK00690 | 0406 | 1 | BRACKET; ASSEMBLY, SHORT, 4.06 X 2.31, INCLUDES RING CUP |
| BRK00691 | 0407 | 1 | BRACKET; ASSEMBLY, LONG, 5.00 X 2.39, INCLUDES RING CUP |
| SUP03399 | 0408 | 3 | SUPPORT; HANGER |
| CPT00478 | 0409 | 1 | CAPACITOR; RUN, 15 MFD, 370VAC, OVAL, W/O RESISTOR |
| SRP00841 | 0410 | 1 | STRAP; |

| MODEL NUMBER DESCRIPTION | | 75008227 | REV A |
|---|---|----------|----------|
| FURNACES | | | |
| T U D 1 A 0 8 0 A 9 3 6 1 A A 1 2 3 4 5 6 7 8 9 10 11 12 13 14 15 | | | |
| <p>Digit 1 Brand T = Trane A = American Standard C = STANDARD</p> <p>Digit 2 Configuration H = Horizontal U = Upflow or Upflow/Horizontal D = Downflow or Downflow/Horizontal M = Multiphase 4-Way</p> <p>Digit 3 Product Family B = 80% Induced Draft Standard "Tradenames" E = 80% Induced Draft Standard D = 80% Induced Draft Premium C = 90% Condensing 1 Pipe X = 90% Direct Vent 1 or 2 Pipe</p> <p>Digit 4 Heating Stages 1 = Single Stage 2 = Two Stage 3 = Three Stage V = Modulating</p> <p>Digit 5 Cabinet Width A = 14.5" Cabinet Width B = 17.5" Cabinet Width C = 21.0" Cabinet Width D = 24.5" Cabinet Width</p> <p>Digits 6,7,8 Capacity 080 = Heating Input MBTUH</p> | <p>Digit 9 Major Modification A = Major Design Change</p> <p>Digit 10 Voltage 9 = 115 Volts / Natural Gas F = 115 Volts / Natural Gas with Integrated Electronic Filter</p> <p>Digits 11 & 12 Airflow-Blower Type 36 = 3 Ton Standard PSC Motor H3 = 3 Ton High Efficiency Motor V3 = 3 Ton Variable Speed Motor</p> <p>Digit 13 Draft Inducer Speed 1 = Single Speed 2 = Two speed V = Variable Speed</p> <p>Digit 14 Minor Modification A = Minor Design Change</p> <p>Digit 15 Service Digit A = Service Digit</p> | | |

| Part No. | Reference No. | Quantity | Description |
|----------------------------|---------------|----------|--------------------------------------|
| 75008227_FURUP159_167432~P | * | | MODEL NUMBER NOMENCLATURE PARTS LIST |

| MODEL NUMBER DESCRIPTION | | 75008227 | REV A |
|---|---|----------|----------|
| FURNACES | | | |
| T U D 1 A 0 8 0 A 9 3 6 1 A A 1 2 3 4 5 6 7 8 9 10 11 12 13 14 15 | | | |
| <p>Digit 1 Brand T = Trane A = American Standard C = STANDARD</p> <p>Digit 2 Configuration H = Horizontal U = Upflow or Upflow/Horizontal D = Downflow or Downflow/Horizontal M = Multiphase 4-Way</p> <p>Digit 3 Product Family B = 80% Induced Draft Standard "Tradenames" E = 80% Induced Draft Standard D = 80% Induced Draft Premium C = 90% Condensing 1 Pipe X = 90% Direct Vent 1 or 2 Pipe</p> <p>Digit 4 Heating Stages 1 = Single Stage 2 = Two Stage 3 = Three Stage V = Modulating</p> <p>Digit 5 Cabinet Width A = 14.5" Cabinet Width B = 17.5" Cabinet Width C = 21.0" Cabinet Width D = 24.5" Cabinet Width</p> <p>Digits 6,7,8 Capacity 080 = Heating Input MBTUH</p> | <p>Digit 9 Major Modification A = Major Design Change</p> <p>Digit 10 Voltage 9 = 115 Volts / Natural Gas F = 115 Volts / Natural Gas with Integrated Electronic Filter</p> <p>Digits 11 & 12 Airflow-Blower Type 36 = 3 Ton Standard PSC Motor H3 = 3 Ton High Efficiency Motor V3 = 3 Ton Variable Speed Motor</p> <p>Digit 13 Draft Inducer Speed 1 = Single Speed 2 = Two speed V = Variable Speed</p> <p>Digit 14 Minor Modification A = Minor Design Change</p> <p>Digit 15 Service Digit A = Service Digit</p> | | |

Parts List Number :FUR159#FURUP159

Model Number :AUC1D120A9601AB