

**Auxiliary Mounting Base
General Instructions**

DEVICE INFORMATION

Identification

The AT-546 may be identified by referring to the part number and the date of manufacture (four digits, the first two representing the month of the year and the last two representing the year) located on the package.

This auxiliary mounting base was designed to mount any two single function room controllers side by side for dual function control. For example, a TC-1101 can be used with a TC-1102 for day and night control. Also, a single controller can be mounted on a horizontally mounted switch box using AT-546 and AT-504.

Pre-Installation

The AT-546 mounting base is shipped with a paper insulator and screws.

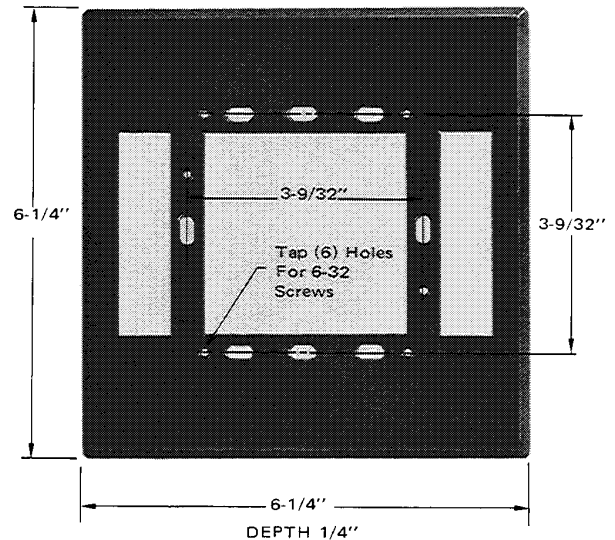
INSTALLATION

Requirements

AT-546 was designed to mount on a single or two gang switch box, a Nelco #1640 32 cubic inch plastic box or a 4-inch square box with a single or two gang plaster ring. Wall boxes can be installed vertical (preferred) or horizontal for dual function applications. Vertically installed means the tapped holes are on the top and bottom.

Procedure

1. Install the auxiliary base (1/2-inch straps vertical) to the wall box with the 3/4-inch flathead screws provided.
A two gang switch box is required for mounting pneumatic units for dual function control and the 1/2-inch straps must be removed with side cutters.
2. When electric or solid state units are to be mounted, place the paper insulator on the base, the notches must fit over the straps on the base.
3. Install the mounting bracket(s) for the HC, HF, TA and TP electric units if used in the tapped holes of the base with the 3/16-inch flathead screws provided with base. Do not secure tightly.



4. Make all electrical and air connections to the controllers.
5. Install controls to the base with the screws provided. Do not secure tightly.
 - a. HC, HF, TA-101 and TP-101 - swing controller over hook on bracket previously mounted.
 - b. Pneumatic and solid state units - install controls to the tapped holes in the base using the 3/16-inch flathead screws provided with base.
 - c. TA and TC-1000 series - use the panhead screws supplied with the base. The 1/4-inch screw is for top hole, the 5/8-inch screw is for the bottom hole.
6. Before tightening the mounting screws, straighten the units on the base and close the space between the unit covers for a neat appearance.
7. Remove units or covers and tighten the mounting screws, then remount the units or covers.

To mount a single thermostat on a single or two gang horizontally installed box, install the auxiliary base AT-546 with the 1/2-inch straps horizontal. Use 3/4-inch long flathead screws to fasten the base to the box. Install the AT-504 to the base in the tapped holes provided. Mount the single controller to AT-504 after making the electrical or air connections.