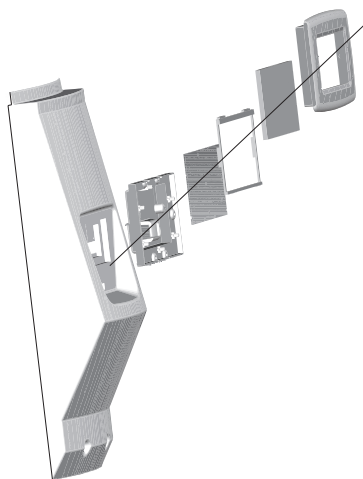


Water Heater Parts Fulfillment
1-800-821-2017

MODELS: 220-250 Gallon
SERIES: 400/401/450/451

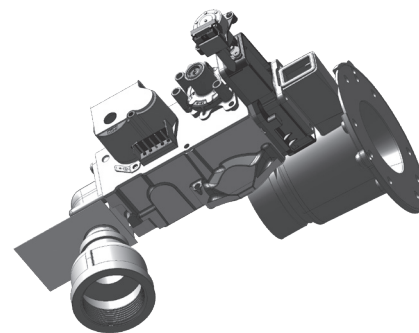
DISPLAY CONTROL ASSEMBLY



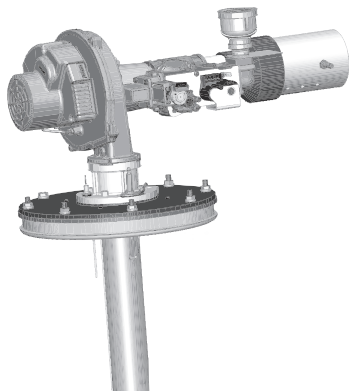
BTH-LV CYCLONE 220-250 GALLON
MODELS



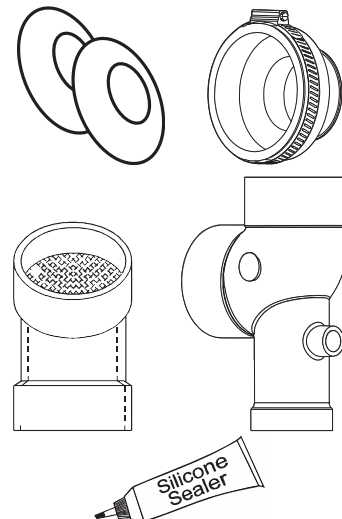
GAS VALVES



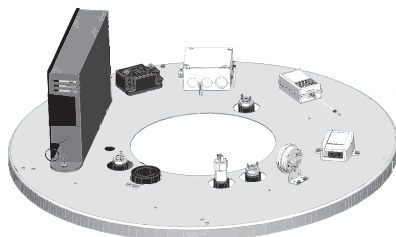
BLOWER/BURNER ASSEMBLIES



EXHAUST ELBOW ASSEMBLY KITS
AND VENT ASSEMBLY KITS



INNER COVER CONTROL
ASSEMBLIES



CLEANOUT ASSEMBLY / TEMPERATURE-PRESSURE VALVE

Table 1. Cleanout, T&P Valve, Lower Temperature Probe, and Drain Valve Assemblies		
No.	Kit Description	Part Number
1	K,GASKET,CLEANOUT	100109686
2	K,COVER PLATE	100110656
3	K, T&P VALVE	100111596
4	K,PROBE,TEMP,LOWER,W/RECESSED CONN,LV	100303509
5	K,SCREW,THREAD FORMING	100109688
6	K,DRAIN VALVE,BRS,BALL,2.5"	100263911
7	K,SWITCH,BLOCKED OUTLET	100347296
8	K,LDM SENSOR ASSY	100305039

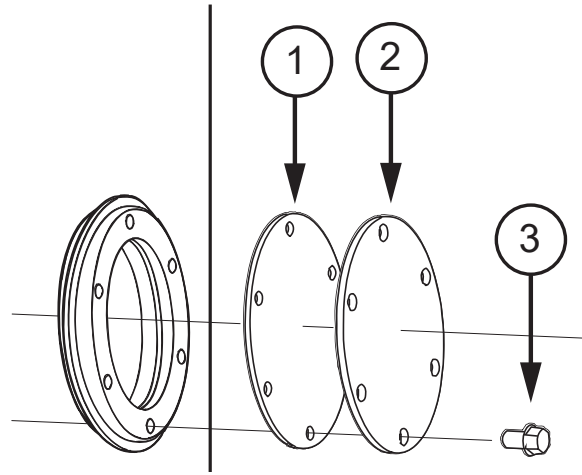


Figure 4. Cleanout Assembly

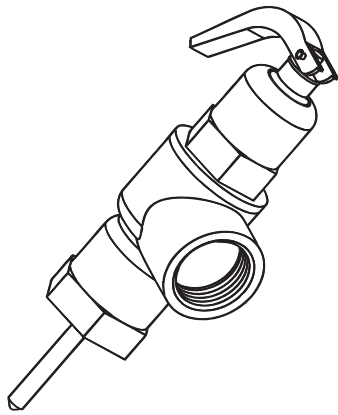


Figure 1. T & P Valve

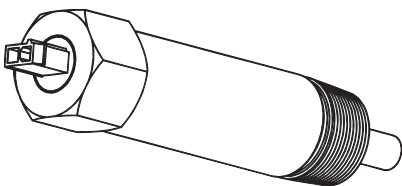


Figure 2. Lower Temperature Probe

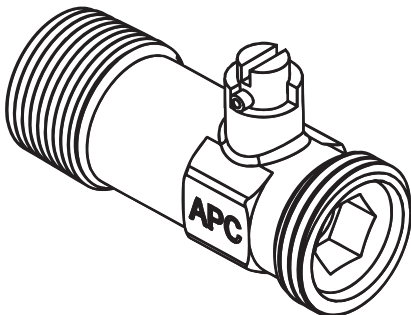


Figure 3. Drain Valve

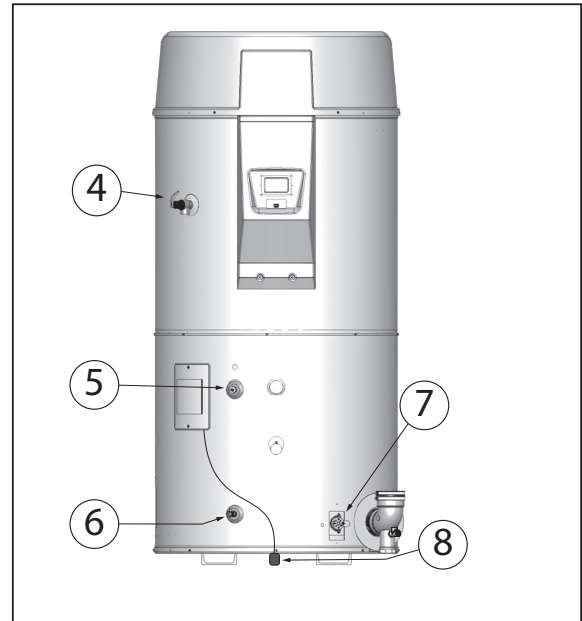


Figure 5. Locating the T&P Valve, Lower Temperature Probe, and Drain Valve

DISPLAY CONTROL ASSEMBLY

Table 2. Display Control Assembly		
No.	Kit Description	Part Number
1	K,SWITCH,ENABLE/DISABLE,RA8 LARGE	100387804
2	K,UIM ASSEMBLY, PROGRAMMED	100347253
3	K, FMM KEY/HARNESS	100388119

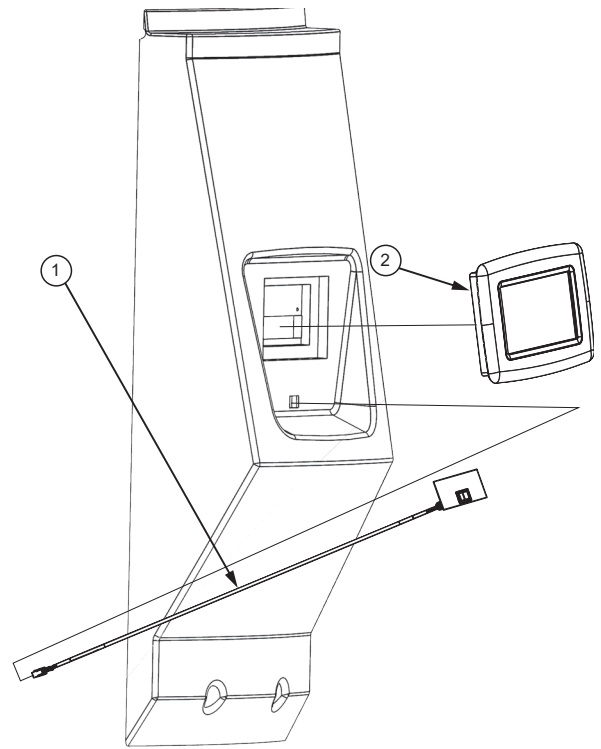


Figure 6. Display Assembly

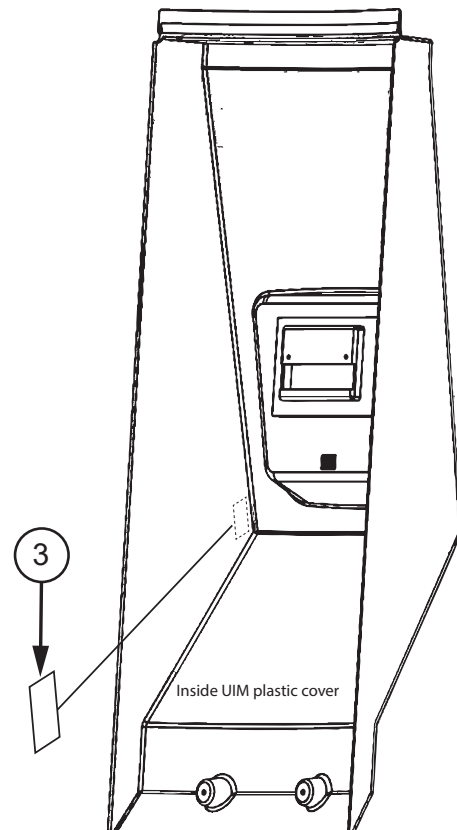


Figure 7. FMM Location Under Plastic Cover

TOP COVER CONTROL ASSEMBLY

Table 3. LV 220 Gallon Models Inner Cover Control Assembly		
No.	Kit Description	Part Number
1	K, SWITCH, BLOCKED INLET, -2.10" WC, NC, SERIES 400	100383691
2	K, MAIN PROBE, TEMP, W/ SEALANT, W/ CONN	100383669
3	K, POWERED ANODE 48"	100111023
4	K, POWERED ANODE, 19.69"	100187890
5	K, TRC CONTROL BOARD	100347258
6	K, TRC/CSC HARNESS*	100385825
7	K, CSC CONTROL BOARD	100347259
8	K, LOW VOLTAGE HARNESS ONLY*	100385865
9	K, SPARK IGNITION TRANSFORMER	100271921
10	K, JUNCTION BOX ASSY W/ HARNESS, W/ CPAM	100385829
11	K, POWERED ANODE 31.5"	100111286
12	K, POWER SUPPLY, CPAM,	100385830
13	K, HARNESS, CPAM OUTPUT, CYCLONE LV	100385861
14	K, CONTROL, ASSY, AS PURCH, COMM, CPAM MIN	100385863
15	K, HRNS, CPAM, TRC, 48"	100385862

* Not Shown.

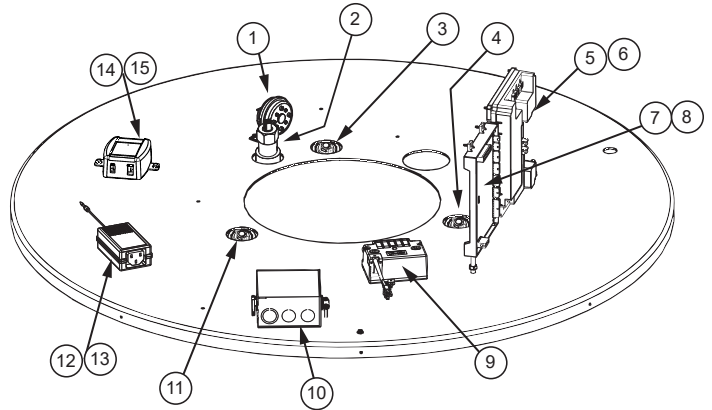


Figure 8. Inner Cover Control Assembly

Table 4. LV 250-Gallon Models Inner Cover Control Assembly		
No.	Kit Description	Part Number
1	K, SWITCH, BLOCKED INLET, -2.50" WC, NC, SERIES 400	100383670
2	K, MAIN PROBE, TEMP, W/ SEALANT, W/ CONN	100383669
3	K, POWERED ANODE 48"	100111023
4	K, TRC CONTROL BOARD	100347258
5	K, TRC/CSC HARNESS ONLY	100385825
6	K, CSC CONTROL BOARD	100347259
7	K, LOW VOLTAGE HARNESS ONLY	100385865
8	K, POWERED ANODE 13.78"	100111024
9	K, SPARK IGNITION TRANSFORMER	100271921
10	K, JUNCTION BOX ASSY W/ HARNESS	100385827
11	K, POWERED ANODE 31.5"	100111286

* Not Shown.

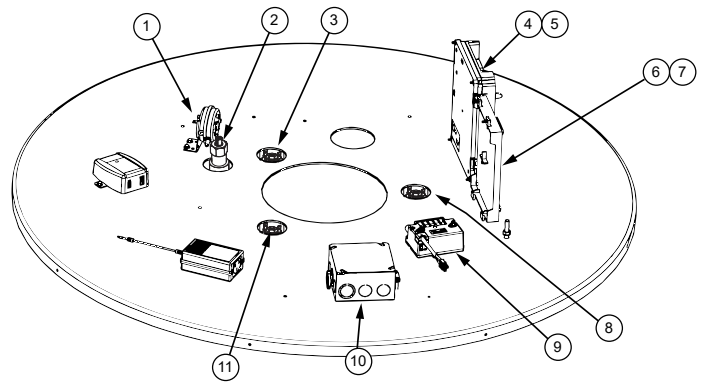


Figure 9. Inner Cover Control Assembly

GAS VALVE/BOWER/BURNER ASSEMBLY

Table 5. LV 220 Gallon Gas Valve/Bower/Burner Assembly		
No.	Kit Description	Part Number
1	K,VRG0145,STD BLOWER ASSY	100360227
2	K,SIGHT GLASS	100110901
3	K,GASKET,SIGHT GLASS	100110902
4	K,GASKET,BURNER	100187867
5	K,BURNER,119G	100360245
6	K,GASKET,BLOWER OUTLET,SILICONE	100360243
7	K,GASKET,SPARK IGNITER,.04" GRAPHITE	100338898
8	K,SPARK IGNITER ASSY,ANGLED	100360209
9	K, IGNITION CABLE ONLY	100271890
10	K,GASKET,FLAME ROD,.56" ODX.31" ID	100338897
11	K,FLAME SENSOR ROD,5.16" KANTHAL	100360244
12	K,GAS VALVE/VENTURI/THROTTLE ASSY,RAMBLR	100387943

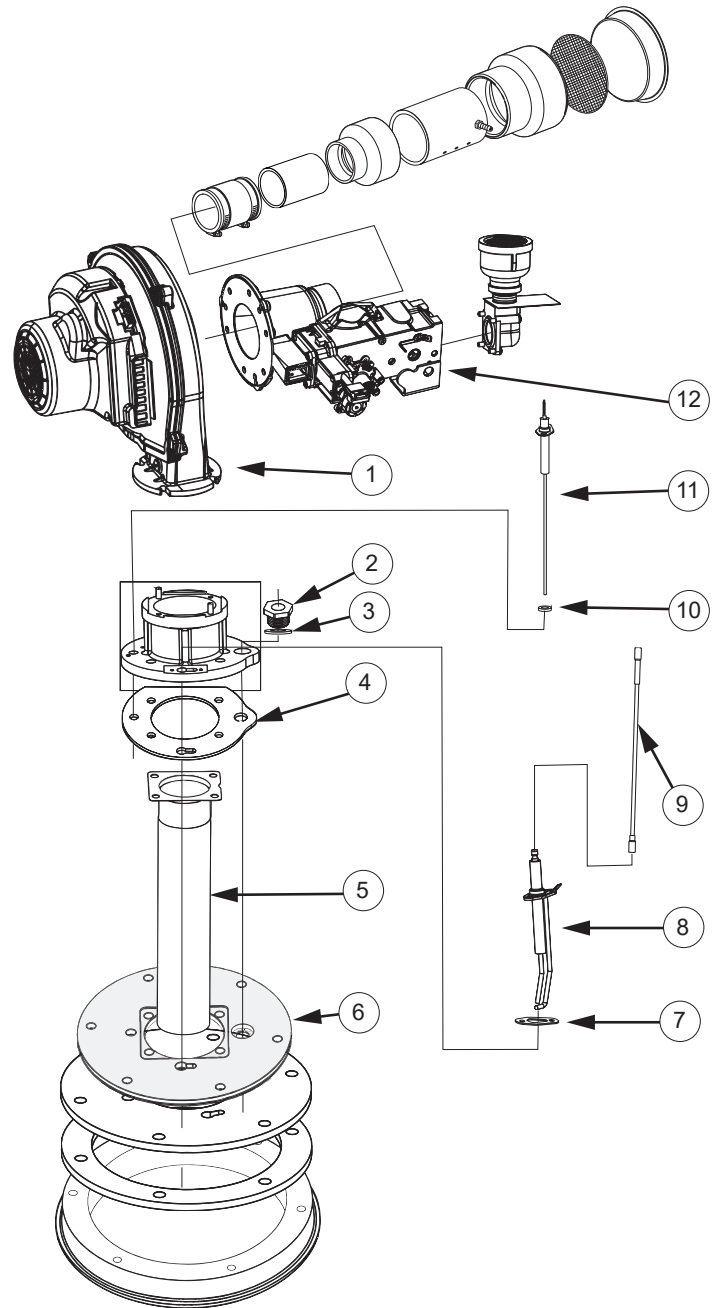


Figure 10. 220-Gallon Blower-Burner Assembly

GAS VALVE/BLOWER/BURNER ASSEMBLY

Table 6. LV 250-Gallon Gas Valve/Blower/Burner Assembly		
No.	Kit Description	Part Number
1	K,VRG0145,CVI BLOWER ASSY	100360228
2	K,SIGHTGLASS	100110901
3	K,GASKET,SIGHTGLASS	100110902
4	K,BURNER ASSEMBLY	100187866
5	K,GASKET,BLOWER OUTLET,SILICONE	100360243
6	K,GASKET,BURNER	100187867
7	K,GASKET,SPARK IGNITER,.04" GRAPHITE	100338898
8	K,SPARK IGNITER ASSY,STRAIGHT,BURNER	100271888
9	K, IGNITION CABLE ONLY	100271890
10	K,GASKET,FLAME ROD,.56" ODX.31" ID	100338897
11	K.FLAME SENSOR ROD,6"KANTHAL	100347293
12	K,GAS VALVE/VENTURI/THROTTLE ASSEMBLY,VK	100387942

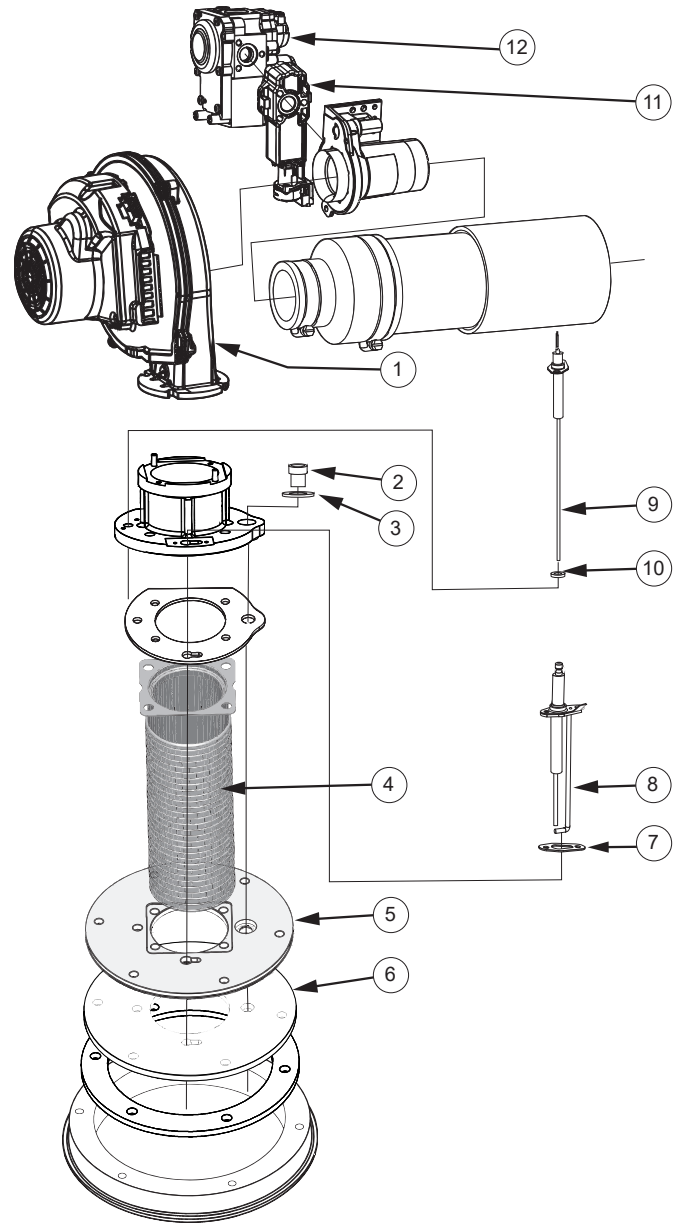


Figure 11. 250-Gallon Blower-Burner Assembly

3" EXHAUST CONNECTOR AND VENT KIT ASSEMBLIES

Table 7. 3" Exhaust Connector and Vent Kit Assemblies for 250 Gallon Models		
No.	Kit Description	Part Number
Exhaust Elbow and Fittings		
1	Exhaust Connector (2.50" x 4.00")	100110947
2	Exhaust /Condensate Elbow Assembly	100187862
3	Condensate Trap Gasket	100338896
4	Adapter, Exhaust, Rubber	100089271
Vent Kit Parts		
5	Intake/Exhaust Screen	100110830
6	PVC 45 Degree Elbow w/Screen (PVC)	100108686
7	PVC 45 Degree Elbow (Canada, ULC S636)	100055670
8	Silicone	100109821
9	Wall Plate	100109820

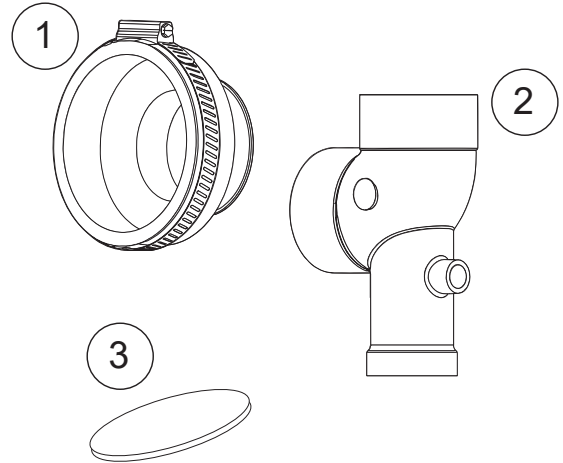


Figure 12. 3" Exhaust Connector Kit

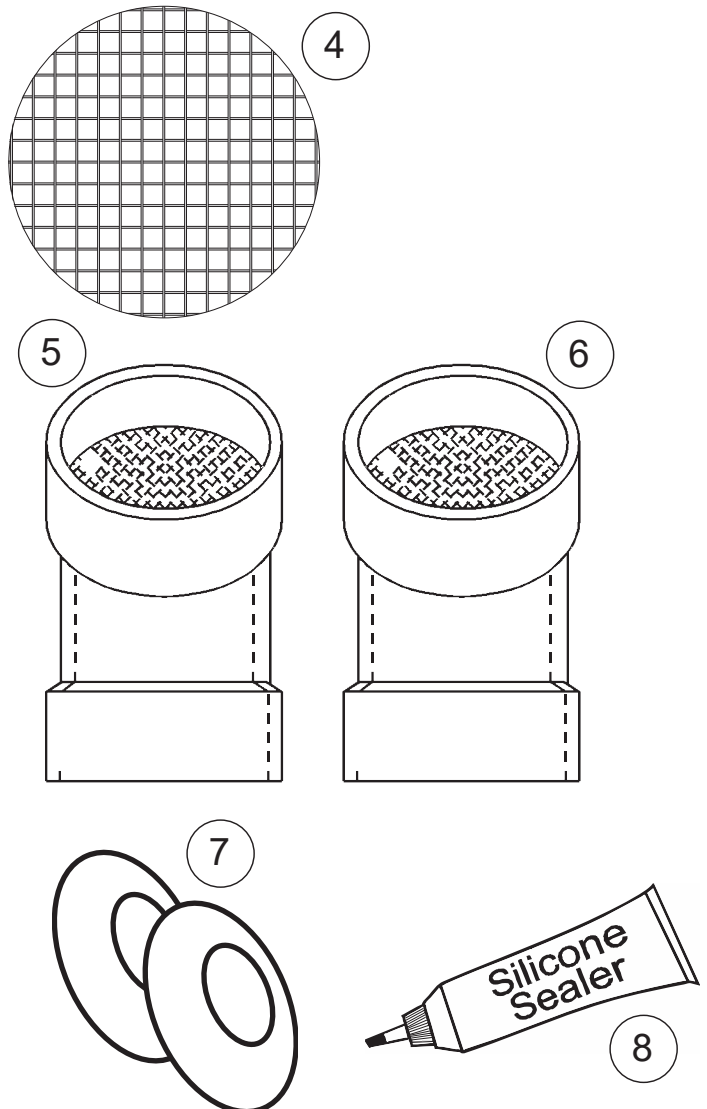


Figure 13. 3" Vent Kit

4" EXHAUST CONNECTOR AND VENT KIT ASSEMBLIES

Table 8. 4" Exhaust Connector and Vent Kit Assemblies		
No.	Kit Description	Part Number
Exhaust Elbow and Fittings		
1	Exhaust/Condensate Elbow Assembly	100187863
2	Connector, Exhaust	100110908
3	Condensate Trap Gasket	100338896
4	Coupling, Exhaust, Rubber	100050246
Vent Kit Parts		
5	Intake/Exhaust Vent Terminal	100110909
6	Wall Plates (2 required)	100110910
7	Silicone Sealer, 2 oz. tube	100109821
8	Exhaust Vent Terminal (Canada)	100111103

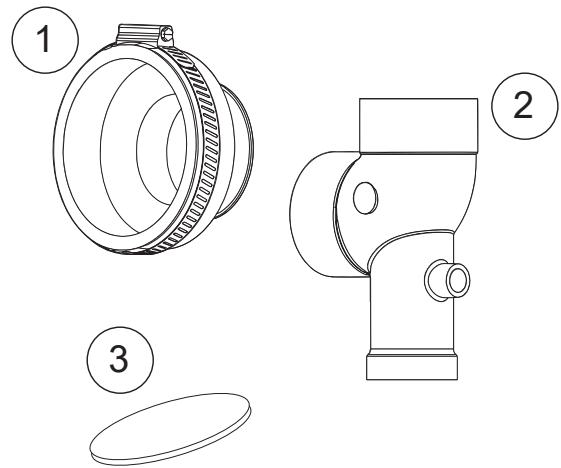


Figure 14. 4" Exhaust Connector Kit

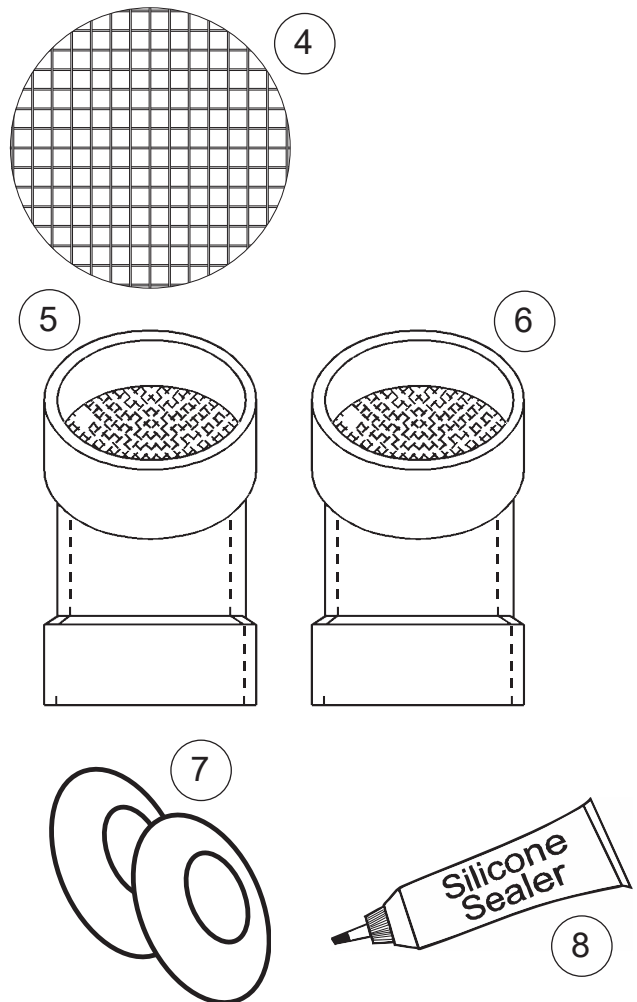


Figure 15. 4" Vent Kit

OPTIONAL VENT KIT ASSEMBLIES

Table 9. Optional Vent Kit Assemblies		
No.	Kit Description	Part Number
1	K, 2 INCH, VENT TERMINAL	100386033
2	K,VENT TERMINATION,LOWPROFILE,2"	100187903
3	KIT,CONCENTRIC VENT,ULCS636,2	100112869
4	KIT,CONCENTRIC VENT,ULC COMPLIANT,3"	100111100
5	KIT,VENT TERMINATION,LOW PROFILE,3"	100187887
6	KIT,VENT TERMINATION,LOW PROFILE,4"	100187888
7	KIT,CONCENTRIC VENT,6"	100113124
8	K,VENT TERMINAL,6 INCH	100111626
9	KIT,VENT TERMINATION,LOW PROFILE,6"	100187889
10	Silicone	100109821
11	Wall Plate	100109820

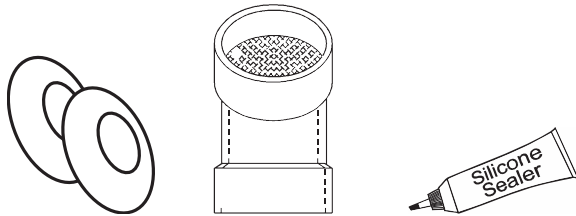


Figure 16. Optional Vent Kit

OPTION KIT ASSEMBLIES

Table 10. Option Kit Assemblies		
No.	Kit Description	Part Number
1	KIT,BMS	100378810
2	KIT,NEUTRALIZER,100-300K BTU,CN2-300C	100289339
3	KIT,NEUTRALIZER, 400-500K BTU,CN4-850	100374577

NOTES

NOTES
