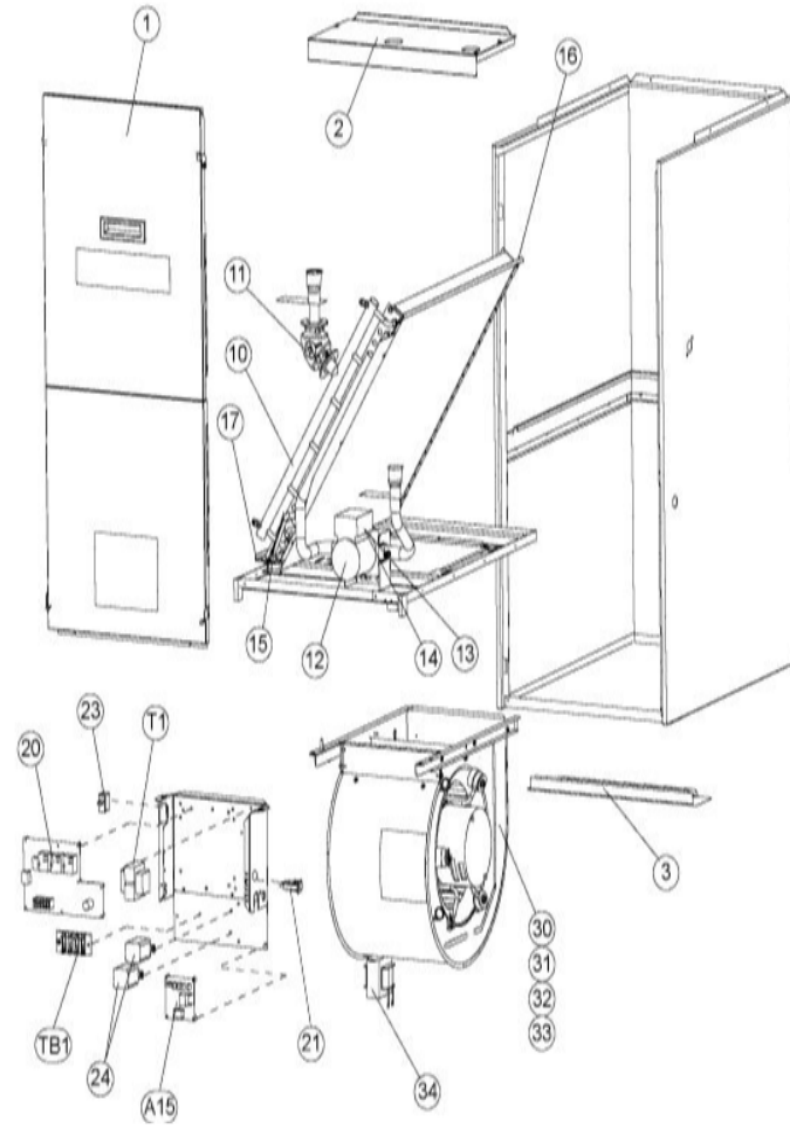


HEATING-GAS  
JULY 30, 2003

AM61V SERIES



Revision Number - 2

## \*OPTIONAL PARTS-FIELD INSTALLED

| Callout | Name  | Quantity | Description                |
|---------|---|----------|----------------------------|
|         | THERMOSTAT<br>Cat #: 49K94 Model/Part #: 49K9401        | 1        | FACTORY<br>INSTALLED AFTER |
|         | VALVE-CHECK<br>Cat #: 66J62 Model/Part #: 66J6201       | 1        | VALVE-INLINE<br>CHECK      |
|         | ADAPTER<br>Cat #: P-8-4556 Model/Part #: P-8-4556       | 2        | ADAPTOR, WROT<br>COPPER    |
| ANTI K  | ANTI SIPHON KIT<br>Cat #: 73J84 Model/Part #: LB-68561A | 1        | INC NEXT 2 PARTS           |
| FRZ KT  | FREEZESTAT KIT<br>Cat #: 64K78 Model/Part #: LB-90503A  | 1        | INC NEXT PART              |
| VENTK1  | VENT-AIR BLEED<br>Cat #: 29K49 Model/Part #: 29K4901    | 1        | "3/4" ""                   |
| VENTK2  | VENT-AIR BLEED<br>Cat #: 29K50 Model/Part #: 29K5001    | 1        | "1" ""                     |

## BLOWER PARTS FOR 60D BLOWER

| Callout | Name   | Quantity | Description                   |
|---------|--|----------|-------------------------------|
|         | MOUNT-MOTOR<br>Cat #: 32M17 Model/Part #: 32M1701      | 1        | MOUNT-MOTOR (4<br>LEG BAND)   |
|         | GROMMET<br>Cat #: 43H81 Model/Part #: 43H8101          | 4        | GROMMET                       |
|         | ARM-MOTOR MTG<br>Cat #: 49L97 Model/Part #: 49L9701    | 4        | MOTOR MOUNT                   |
|         | SLEEVE<br>Cat #: 49L98 Model/Part #: 49L9801           | 4        | SLEEVE                        |
| 30      | HOUSING-BLOWER<br>Cat #: 57M89 Model/Part #: LB-94726L | 1        | ASSY-BLOWER<br>(REPAIR PARTS) |
| 31      | WHEEL-BLOWER<br>Cat #: 36M22 Model/Part #: LB-29333BCW | 1        | "1/2" BORE, 10" X<br>8" ""    |

| Callout | Name  | Quantity | Description                             |
|---------|---|----------|---|
| 32      | PLATE-CUTOFF<br>Cat #: 81L92 Model/Part #: LB-94537             | 1        | PLATE-CUTOFF                            |
| 34      | CHOKE-POWER<br>Cat #: 69H12 Model/Part #: 69H1201               | 1        | BLOWER                                  |
| B3      | BLOWER MTR VAR SPD<br>Cat #: 10B67 Model/Part #: 610588-02      | 1        | ASSY-MOTOR                              |
| B3A     | EON MODULE (PROGRAMMED)<br>Cat #: 10M11 Model/Part #: 611408-02 | 1        | CONTROL-MODULE<br>5.0 ECM 1 HP<br>MOTOR |

## CABINET PARTS

| Callout | Name  | Quantity | Description                          |
|---------|---|----------|--------------------------------------|
|         | HANDLE<br>Cat #: 101296-01 Model/Part #: 101296-01          | 1        | DOOR                                 |
|         | FILTER<br>Cat #: 97H07 Model/Part #: 97H0701                | 1        | "25"" X 25"" X 1""                   |
| 1       | PANEL-SET<br>Cat #: 90M56 Model/Part #: LB-74702D           | 1        | COIL & BLR ACCESS<br>SET INCL HANDLE |
| 2       | REPLACEMENT TOP CAP<br>Cat #: 92M82 Model/Part #: LB-74704D | 1        | TOP                                  |
| 3       | PANEL<br>Cat #: 27M94 Model/Part #: LB-91472A               | 1        | BOTTOM                               |

## CONTROL PANEL PARTS

| Callout | Name   | Quantity | Description    |
|---------|--|----------|----------------|
|         | HARNESS-WIRING<br>Cat #: 27M25 Model/Part #: LB-100797 | 1        | POWER 5 PIN    |
|         | HARNESS-WIRING<br>Cat #: 65M59 Model/Part #: LB-74620  | 1        | CONTROL 16 PIN |
|         | HARNESS-WIRING<br>Cat #: 71M37 Model/Part #: LB-74694  | 1        | 3 WIRE         |
| 20      | MODULE   | 1        | CONTROL        |

| Callout | Name  | Quantity | Description             |
|---------|---|----------|-------------------------|
|         | Cat #: 59K21 Model/Part #: LB-90403A                  |          | BOARD(ACH1-2)           |
| 21      | BREAKER-CIRCUIT<br>Cat #: 37J56 Model/Part #: 37J5601 | 1        | CIRCUIT BREAKER-250V    |
| 23      | SWITCH<br>Cat #: 25J13 Model/Part #: 25J1301          | 1        | SWITCH, INTERLOCK       |
| 24      | RELAY<br>Cat #: 67K19 Model/Part #: 67K1901           | 2        | "SPST, 120V (K36, K46)" |
| A15     | BOARD-CIRCUIT<br>Cat #: 40K82 Model/Part #: LB-89812  | 1        | (BDC 3-1)               |
| T1      | TRANSFORMER<br>Cat #: 29M71 Model/Part #: 29M7101     | 1        | "120VPRI,24VSEC,40VA"   |
| TB1     | STRIP-TERMINAL<br>Cat #: 18K76 Model/Part #: 18K7601  | 1        | (BDC 3-1)               |

## HEATING PARTS

| Callout | Name  | Quantity | Description             |
|---------|---|----------|-------------------------|
|         | CAP-SEAL<br>Cat #: 63K08 Model/Part #: 63K0801          | 1        | CAP-1/4 in. FLARE SEAL  |
|         | PRESS TAP FITTING<br>Cat #: 63K09 Model/Part #: 63K0901 | 1        | FITTING - PRESS TAP     |
|         | KIT-CARTRIDGE<br>Cat #: 73J77 Model/Part #: 73J7701     | 1        | PUMP                    |
|         | KIT-CASING<br>Cat #: 73J81 Model/Part #: 73J8101        | 1        | PUMP                    |
|         | "KIT-""O""RING"<br>Cat #: 73J82 Model/Part #: 73J8201   | 1        | PUMP                    |
|         | VALVE CORE<br>Cat #: 66820 Model/Part #: P-8-1897       | 1        | VALVE, CORE 8075910047  |
| 10      | COIL ASSY<br>Cat #: 61M83 Model/Part #: LB-74703D       | 1        | REPL COIL ASSY          |
| 11      | PRIORISTAT<br>Cat #: 60M36 Model/Part #: 60M3601        | 1        | "OPEN 113F, CLOSE 123F" |

| <b>Callout</b> | <b>Name</b>                                      | <b>Quantity</b> | <b>Description</b>            |
|----------------|--|-----------------|-------------------------------|
| 12             | PUMP<br>Cat #: 53J76 Model/Part #: 53J7601       | 1               | COIL                          |
| 13             | CAPACITOR<br>Cat #: 73J96 Model/Part #: 73J9601  | 1               | PUMP-5MFD @<br>250V           |
| 14             | BUSHING<br>Cat #: 60F40 Model/Part #: P-8-7865   | 1               | PUMP-STRAIN<br>RELIEF         |
| 15             | THERMOSTAT<br>Cat #: 49K94 Model/Part #: 49K9401 | 1               | "SPST OPEN 75F,<br>CLOSE 45F" |
| 16             | SUPPORT<br>Cat #: 71M43 Model/Part #: LB-74626   | 1               | COIL-TOP                      |
| 17             | SUPPORT<br>Cat #: 71M42 Model/Part #: LB-74625   | 1               | COIL-BOTTOM                   |

**Note:**

There are no technical notes for this product.