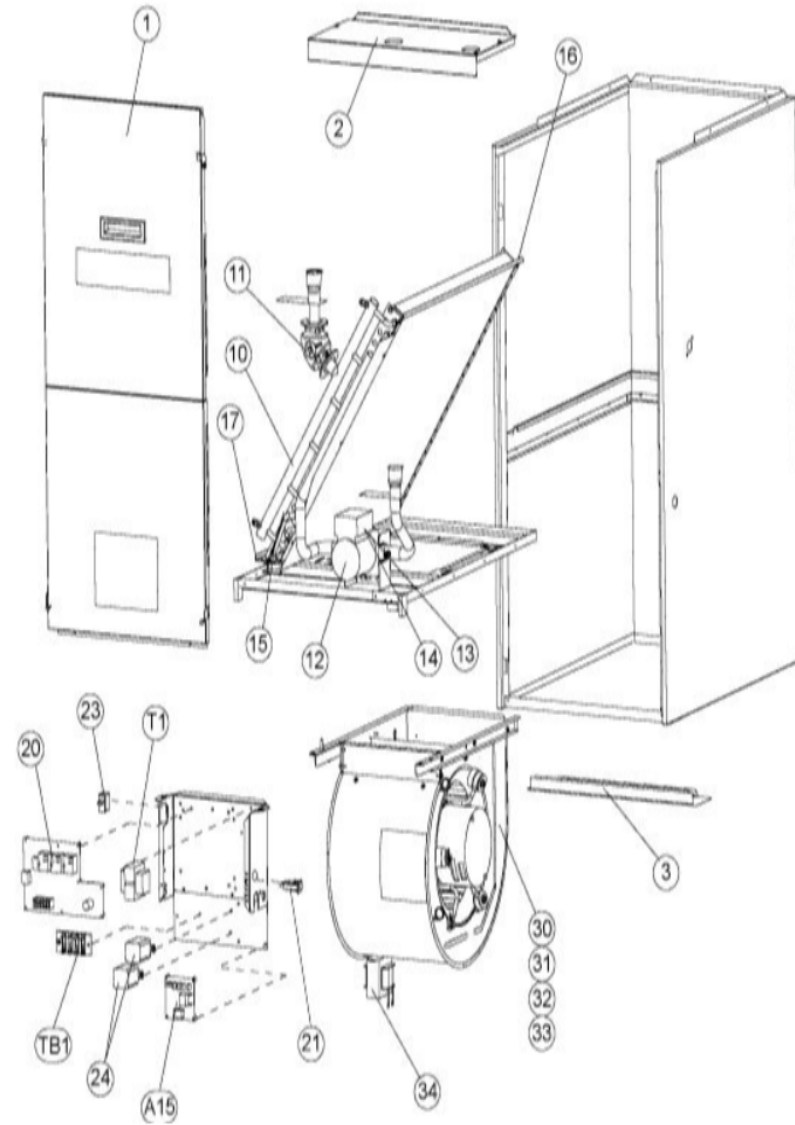


HEATING-GAS
JULY 30, 2003

AM61V SERIES



Revision Number - 2

*OPTIONAL PARTS-FIELD INSTALLED

Callout	Name	Quantity	Description
	THERMOSTAT Cat #: 49K94 Model/Part #: 49K9401	1	FACTORY INSTALLED AFTER
	VALVE-CHECK Cat #: 66J62 Model/Part #: 66J6201	1	VALVE-INLINE CHECK
	ADAPTER Cat #: P-8-4556 Model/Part #: P-8-4556	2	ADAPTOR, WROT COPPER
ANTI K	ANTI SIPHON KIT Cat #: 73J84 Model/Part #: LB-68561A	1	INC NEXT 2 PARTS
FRZ KT	FREEZESTAT KIT Cat #: 64K78 Model/Part #: LB-90503A	1	INC NEXT PART
VENTK1	VENT-AIR BLEED Cat #: 29K49 Model/Part #: 29K4901	1	"3/4" ""
VENTK2	VENT-AIR BLEED Cat #: 29K50 Model/Part #: 29K5001	1	"1" ""

BLOWER PARTS FOR 60C BLOWER

Callout	Name	Quantity	Description
	MOUNT-MOTOR Cat #: 32M17 Model/Part #: 32M1701	1	MOUNT-MOTOR (4 LEG BAND)
	GROMMET Cat #: 43H81 Model/Part #: 43H8101	4	GROMMET
	ARM-MOTOR MTG Cat #: 49L97 Model/Part #: 49L9701	4	MOTOR MOUNT
	SLEEVE Cat #: 49L98 Model/Part #: 49L9801	4	SLEEVE
30	HOUSING-BLOWER Cat #: 57M89 Model/Part #: LB-94726L	1	ASSY-BLOWER (REPAIR PARTS)
31	WHEEL-BLOWER Cat #: 36M22 Model/Part #: LB-29333BCW	1	"1/2" BORE, 10" X 8" ""

Callout	Name	Quantity	Description
32	PLATE-CUTOFF Cat #: 81L92 Model/Part #: LB-94537	1	PLATE-CUTOFF
34	CHOKE-POWER Cat #: 69H12 Model/Part #: 69H1201	1	BLOWER
B3	BLOWER MTR VAR SPD Cat #: 10B67 Model/Part #: 610588-02	1	ASSY-MOTOR
B3A	EON MODULE (PROGRAMMED) Cat #: 10M11 Model/Part #: 611408-02	1	EON MODULE (PROGRAMMED)

CABINET PARTS

Callout	Name	Quantity	Description
	HANDLE Cat #: 101296-01 Model/Part #: 101296-01	1	DOOR
	FILTER Cat #: 59436 Model/Part #: P-8-7831	1	"20" X 25" X 1"
1	PANEL-SET Cat #: 90M56 Model/Part #: LB-74702D	1	COIL & BLR ACCESS SET INCL HANDLE
2	REPLACEMENT TOP CAP Cat #: 92M82 Model/Part #: LB-74704D	1	TOP
3	PANEL Cat #: 27M94 Model/Part #: LB-91472A	1	BOTTOM

CONTROL PANEL PARTS

Callout	Name	Quantity	Description
	HARNESS-WIRING Cat #: 27M25 Model/Part #: LB-100797	1	POWER 5 PIN
	HARNESS-WIRING Cat #: 65M59 Model/Part #: LB-74620	1	CONTROL 16 PIN
	HARNESS-WIRING Cat #: 71M37 Model/Part #: LB-74694	1	3 WIRE
20	MODULE Cat #: 59K21 Model/Part #: LB-90403A	1	CONTROL BOARD(ACH1-2)

Callout	Name	Quantity	Description
21	BREAKER-CIRCUIT Cat #: 37J56 Model/Part #: 37J5601	1	CIRCUIT BREAKER-250V
23	SWITCH Cat #: 25J13 Model/Part #: 25J1301	1	SWITCH, INTERLOCK
24	RELAY Cat #: 67K19 Model/Part #: 67K1901	2	"SPST, 120V (K36, K46)"
A15	BOARD-CIRCUIT Cat #: 40K82 Model/Part #: LB-89812	1	(BDC 3-1)
T1	TRANSFORMER Cat #: 29M71 Model/Part #: 29M7101	1	"120VPRI,24VSEC,40VA"
TB1	STRIP-TERMINAL Cat #: 18K76 Model/Part #: 18K7601	1	(BDC 3-1)

HEATING PARTS

Callout	Name	Quantity	Description
	CAP-SEAL Cat #: 63K08 Model/Part #: 63K0801	1	CAP-1/4 in. FLARE SEAL
	PRESS TAP FITTING Cat #: 63K09 Model/Part #: 63K0901	1	FITTING - PRESS TAP
	KIT-CARTRIDGE Cat #: 73J77 Model/Part #: 73J7701	1	PUMP
	KIT-CASING Cat #: 73J81 Model/Part #: 73J8101	1	PUMP
	"KIT-""O""RING" Cat #: 73J82 Model/Part #: 73J8201	1	PUMP
	VALVE CORE Cat #: 66820 Model/Part #: P-8-1897	1	VALVE, CORE 8075910047
10	COIL ASSY Cat #: 61M82 Model/Part #: LB-74703C	1	REPL COIL ASSY
11	PRIORISTAT Cat #: 60M36 Model/Part #: 60M3601	1	"OPEN 113F, CLOSE 123F"
12	PUMP	1	COIL

Callout	Name	Quantity	Description
	Cat #: 53J76 Model/Part #: 53J7601		
13	CAPACITOR Cat #: 73J96 Model/Part #: 73J9601	1	PUMP-5MFD @ 250V
14	BUSHING Cat #: 60F40 Model/Part #: P-8-7865	1	PUMP-STRAIN RELIEF
15	THERMOSTAT Cat #: 49K94 Model/Part #: 49K9401	1	"SPST OPEN 75F, CLOSE 45F"
16	SUPPORT Cat #: 71M43 Model/Part #: LB-74626	1	COIL-TOP
17	SUPPORT Cat #: 71M42 Model/Part #: LB-74625	1	COIL-BOTTOM

Note:

There are no technical notes for this product.