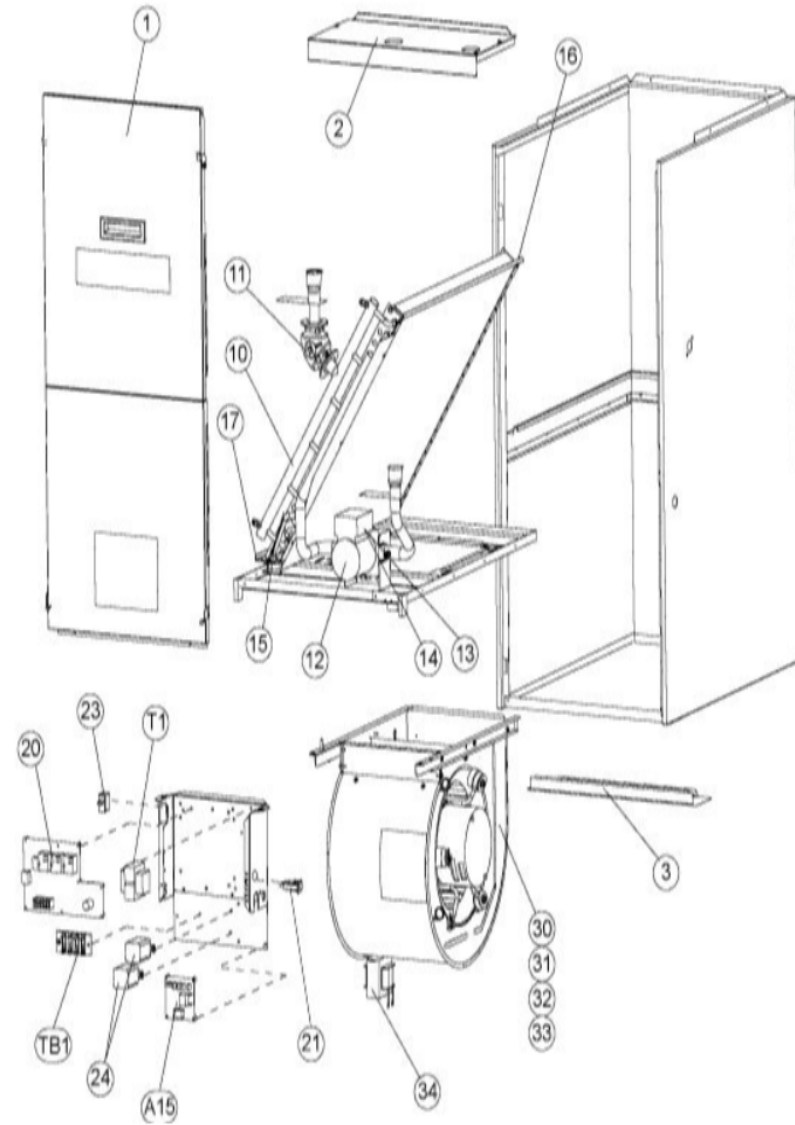


HEATING-GAS
JULY 30, 2003

AM61V SERIES



Revision Number - 2

*OPTIONAL PARTS-FIELD INSTALLED

Callout	Name	Quantity	Description
	THERMOSTAT Cat #: 49K94 Model/Part #: 49K9401	1	FACTORY INSTALLED AFTER
	VALVE-CHECK Cat #: 66J62 Model/Part #: 66J6201	1	VALVE-INLINE CHECK
	ADAPTER Cat #: P-8-4556 Model/Part #: P-8-4556	2	ADAPTOR, WROT COPPER
ANTI K	ANTI SIPHON KIT Cat #: 73J84 Model/Part #: LB-68561A	1	INC NEXT 2 PARTS
FRZ KT	FREEZESTAT KIT Cat #: 64K78 Model/Part #: LB-90503A	1	INC NEXT PART
VENTK1	VENT-AIR BLEED Cat #: 29K49 Model/Part #: 29K4901	1	"3/4""
VENTK2	VENT-AIR BLEED Cat #: 29K50 Model/Part #: 29K5001	1	"1""

BLOWER PARTS FOR 36B BLOWER

Callout	Name	Quantity	Description
	MOUNT-MOTOR Cat #: 18M69 Model/Part #: 18M6901	1	"L/ WASHERS, GROMMETS & SLEEVES"
	KIT-BLOWER Cat #: 71M48 Model/Part #: LB-107597	1	"MOUNTING HARDWARE (CONTAINS 6 EA WASHER
30	HOUSING-BLOWER Cat #: 57M87 Model/Part #: LB-94726J	1	ASSY-BLOWER (REPAIR PARTS)
31	WHEEL-BLOWER Cat #: 89J10 Model/Part #: LB-29333BCG	1	"1/2""BORE,10"" X 8""
32	PLATE-CUTOFF Cat #: 81L90 Model/Part #: LB-94535	1	PLATE-CUTOFF

Callout	Name	Quantity	Description
B3	BLOWER MOTOR Cat #: 10B66 Model/Part #: 610588-01	1	ASSY-MOTOR
B3A	EON MODULE (PROGRAMMED) Cat #: 10M09 Model/Part #: 611408-01	1	EON MODULE (PROGRAMMED)

CABINET PARTS

Callout	Name	Quantity	Description
	HANDLE Cat #: 101296-01 Model/Part #: 101296-01	1	DOOR
	FILTER-AIR Cat #: 97H06 Model/Part #: 97H0601	1	"18"" X 25"" X 1""
1	PANEL-SET Cat #: 90M55 Model/Part #: LB-74702C	1	COIL & BLR ACCESS SET INCL HANDLE
2	REPLACEMENT TOP CAP Cat #: 92M81 Model/Part #: LB-74704C	1	TOP
3	PANEL Cat #: 99L96 Model/Part #: LB-91462A	1	BOTTOM

CONTROL PANEL PARTS

Callout	Name	Quantity	Description
	HARNESS-WIRING Cat #: 27M25 Model/Part #: LB-100797	1	POWER 5 PIN
	HARNESS-WIRING Cat #: 65M59 Model/Part #: LB-74620	1	CONTROL 16 PIN
	HARNESS-WIRING Cat #: 71M37 Model/Part #: LB-74694	1	3 WIRE
20	MODULE Cat #: 59K21 Model/Part #: LB-90403A	1	CONTROL BOARD(ACH1-2)
21	BREAKER-CIRCUIT Cat #: 37J56 Model/Part #: 37J5601	1	CIRCUIT BREAKER-250V
23	SWITCH Cat #: 25J13 Model/Part #: 25J1301	1	SWITCH, INTERLOCK

Callout	Name	Quantity	Description
24	RELAY Cat #: 67K19 Model/Part #: 67K1901	2	"SPST, 120V (K36, K46)"
A15	BOARD-CIRCUIT Cat #: 40K82 Model/Part #: LB-89812	1	(BDC 3-1)
T1	TRANSFORMER Cat #: 29M71 Model/Part #: 29M7101	1	"120VPRI,24VSEC,40VA"
TB1	STRIP-TERMINAL Cat #: 18K76 Model/Part #: 18K7601	1	(BDC 3-1)

HEATING PARTS

Callout	Name	Quantity	Description
	CAP-SEAL Cat #: 63K08 Model/Part #: 63K0801	1	CAP-SEAL
	PRESS TAP FITTING Cat #: 63K09 Model/Part #: 63K0901	1	PRESS TAP-FITTING
	KIT-CASING Cat #: 73J79 Model/Part #: 73J7901	1	PUMP
	"KIT-""O""RING" Cat #: 73J82 Model/Part #: 73J8201	1	PUMP
	KIT-CARTRIDGE Cat #: 99K70 Model/Part #: 99K7001	1	PUMP
	VALVE CORE Cat #: 66820 Model/Part #: P-8-1897	1	VALVE, CORE 8075910047
10	COIL ASSY Cat #: 61M81 Model/Part #: LB-74703B	1	REPL COIL ASSY
11	PRIORISTAT Cat #: 60M36 Model/Part #: 60M3601	1	"OPEN 113F, CLOSE 123F"
12	PUMP Cat #: 99K69 Model/Part #: 99K6901	1	COIL
13	CAPACITOR Cat #: 73J96 Model/Part #: 73J9601	1	PUMP-5MFD @ 250V
14	BUSHING	1	PUMP-STRAIN

Callout	Name	Quantity	Description
	Cat #: 60F40 Model/Part #: P-8-7865		RELIEF
15	THERMOSTAT Cat #: 49K94 Model/Part #: 49K9401	1	"SPST OPEN 75F, CLOSE 45F"
16	SUPPORT Cat #: 71M41 Model/Part #: LB-74644	1	COIL-TOP
17	SUPPORT Cat #: 71M40 Model/Part #: LB-74643	1	COIL-BOTTOM

Note:

There are no technical notes for this product.