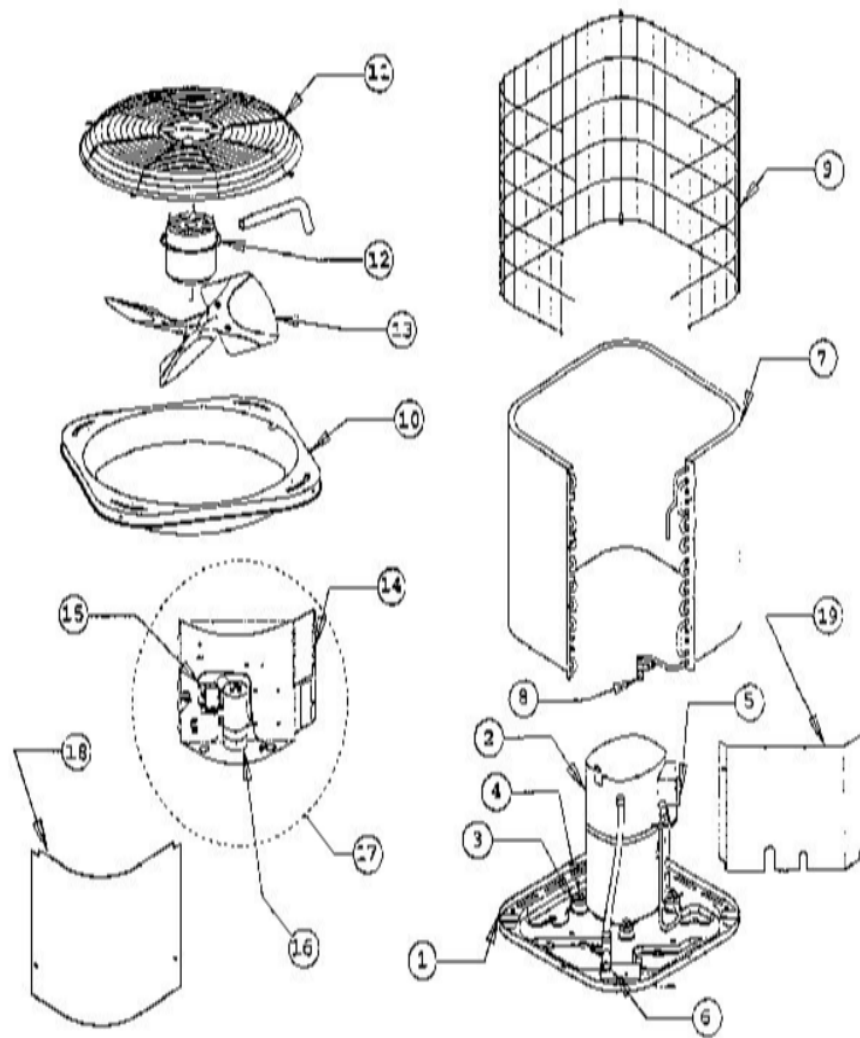


COOLING-CONDENSING
FEBRUARY 1, 2000

AIRE-FLO

AFAIR10B SERIES



Revision Number - 1

*OPTIONAL PARTS-FIELD INSTALLED

Callout	Name	Quantity	Description
KIT 1	KIT-HI PRESS SWITCHPRICE BOOK CAT #70L70 Cat #: Model/Part #:	1	
KIT 2	KIT-LO PRESS SWITCHPRICE BOOK CAT #70L71 Cat #: Model/Part #:	1	

CABINET PARTS

Callout	Name	Quantity	Description
1	BASE PAN Cat #: 72L6301 Model/Part #: 72L6301	1	CONDENSER
9	GUARD-COIL Cat #: 72L62 Model/Part #: 72L6201	1	OUTDOOR
10	PANEL-TOP Cat #: 72L59 Model/Part #: 72L5901	1	PANEL-TOP
11	GUARD-FAN Cat #: 72L65 Model/Part #: 72L6501	1	GUARD-FAN
14	PANEL-CONTROL BOX Cat #: 72L60 Model/Part #: 72L6001	1	PANEL-CONTROL BOX
18	COVER-CONTROL BOX Cat #: 72L61 Model/Part #: 72L6101	1	COVER-CONTROL BOX
19	PANEL-LOWER Cat #: 72L64 Model/Part #: 72L6401	1	PANEL-LOWER

CONTROL PANEL PARTS

Callout	Name	Quantity	Description
15	CONTACTOR Cat #: 72L10 Model/Part #: 72L1001	1	"SP,25 AMP"
16	CAPACITOR Cat #: 53H2301 Model/Part #: 53H2301	1	"30+5MFD,370VAC"

COOLING PARTS

Callout	Name	Quantity	Description
	DRIER Cat #: 72L22 Model/Part #: 72L2201	1	ONE WAY
	PISTON Cat #: 72L72 Model/Part #: 72L7201	1	-0.059
2	COMPRESSOR Cat #: 84K91 Model/Part #: 84K9101	1	"2TON,208-230/60/1,COPE"
3	GROMMET-COMP Cat #: 72L69 Model/Part #: 72L6901	4	COMPRESSOR
4	BOLT-COMP Cat #: 72L68 Model/Part #: 72L6801	4	COMPRESSOR
5	HARNESS-WIRING Cat #: 72L38 Model/Part #: 72L3801	1	COMPRESSOR-MOLDED PLUG
6	VALVE-SERVICE Cat #: 72L01 Model/Part #: 72L0101	1	"5/8"" SUCTION LINE"
7	COIL-CONDENSER Cat #: 72L71 Model/Part #: 72L7101	1	COIL-CONDENSER
8	VALVE-SERVICE Cat #: 72L04 Model/Part #: 72L0401	1	"3/8"" LIQUID LINE"
12	MOTOR-FAN Cat #: 72L05 Model/Part #: 72L0501	1	1/10HP
13	FAN Cat #: 72L70 Model/Part #: 72L7001	1	"1/2""BORE,18""DIA,3 BLADE,22 DEG"

Note:

There are no technical notes for this product.