

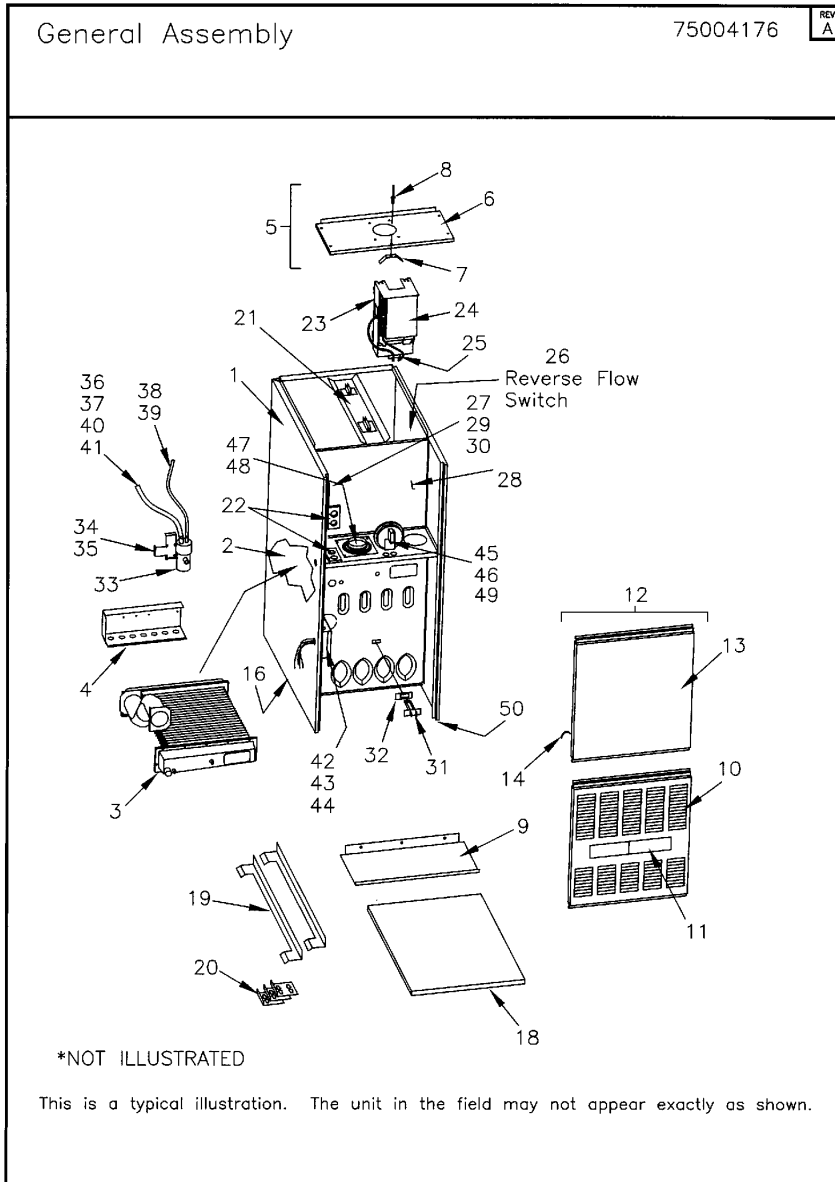
<b>Part No.</b>	<b>Reference No.</b>	<b>Quantity</b>	<b>Description</b>
75000660#FURUP195~S	*		BLOWER ASSEMBLY
75000977#FURUP195~S	*		BURNER ASSEMBLY
FUR195_FURUP195_130871~P	*		FURUP195 PARTS LIST
75004176#FURUP195~S	*		GENERAL ASSEMBLY
75000978#FURUP195~S	*		INDUCED BLOWER AND FLUE ASSEMBLY
75008227#FURUP195~S	*		MODEL NUMBER DESCRIPTION

NO GRAPHIC AVAILABLE

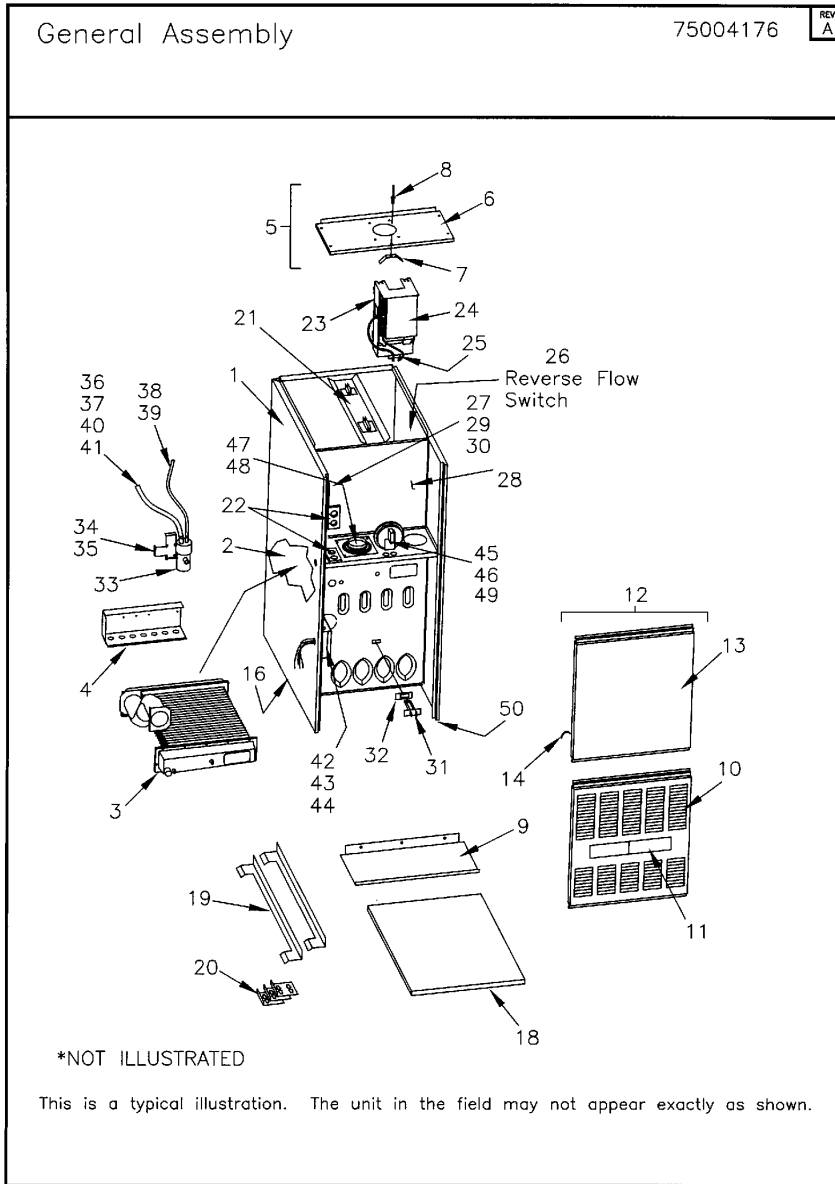
75013702

REV  
A

**NO  
GRAPHIC  
AVAILABLE**

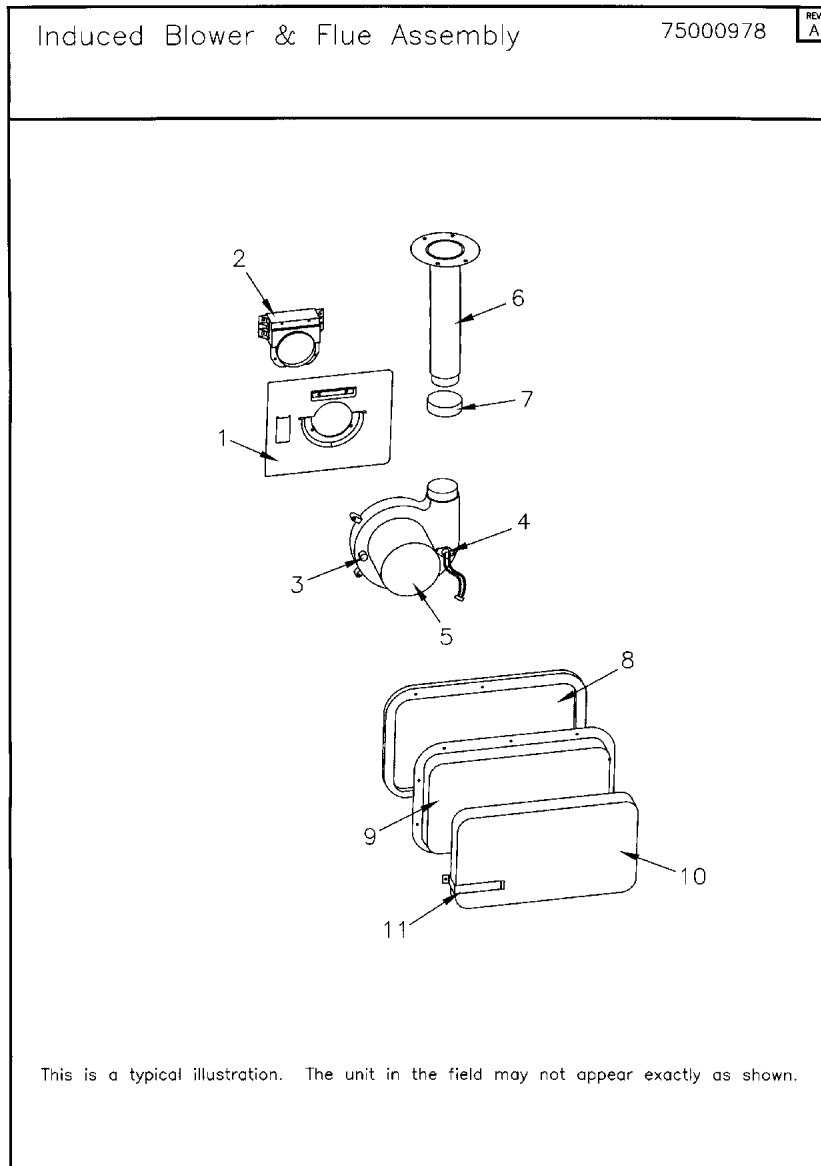


Part No.	Reference No.	Quantity	Description
75004176_FURUP195_351762~P	*		GENERAL ASSEMBLY PARTS LIST



Part No.	Reference No.	Quantity	Description
BUS00324	*	1	BUSHING; SNAP, .562 OD, .50 MOUNTING HOLE DIAMETER, BLACK NYLON .135 THICK
CON00336	*	1	CONNECTOR; (BARB TUBE)
CON00374	*	1	CONNECTOR; 12 PIN MALE
CPL00938	*	1	COUPLING; REDUCING COUPLING ASSEMBLY - INCLUDES C341097P01 (CPL00838) AND A341677P01 (POLYPROPYLENE PAD). 2.00 TO 3.0 WHITE PVC COUPLING ADAPTER.
GRM00217	*	1	GROMMET; BURNER BOX ENTRY SEAL
GRM00837	*	1	GROMMET; ENTRY SEAL
TUB08057	*	1	TUBE; MALE TRANSFER NOT FIELD REPLACEABLE, PART OF RECOUP CELL
TUB08186	*	1	TUBE; FEMALE TRANSFER NOT FIELD REPLACEABLE, PART OF RECOUP COIL CELL
TUB11760	*	1	TUBE; CONDENSATE TUBE ASSEMBLY, TRAP TO FURNACE CABINET (FIELD CONNECTION). INCLUDES HOSE, CLAMP, BARBED ADAPTER AND COUPLING.
WIR02076	*	1	WIRE; HARNESS
WIR02702	*	1	WIRE; REPLACEMENT IGNITOR HARNESS
CBT01513	1	1	CABINET; REPLACEMENT WRAPPER ASSEMBLY
EXC01973	2	1	EXCHANGER; HEAT EXCHANGER WITH RCT00851
COL09285	3	1	COIL; RECOUP ASSEMBLY
SUP02609	4	1	SUPPORT; HEAT EXCHANGER
COV02148	5	1	COVER; TOP ASSEMBLY
COV02248	6	1	COVER; TOP COVER ONLY. COMPLETE ASM. IS COV02148. PAINTED.
SPG00309	7	1	SPRING; DOOR RETAINER,INCLUDED IN COVER ASSEMBLY
RIV00071	8	1	RIVET; POP, QTY 100 PER BOX COMPLETE COVER ASSEMBLY WILL INCLUDE THIS
PNN05913	9	1	PANEL; BOTTOM
DOR02732	10	1	DOOR; BURNER
PLT04523	11	1	PLATE; NAMEPLATE ASSEMBLY - ASD
DOR02756	12	1	DOOR; REPLACEMENT BLOWER DOOR ASM.
DOR02738	13	1	DOOR; BLOWER DOOR W/SIGHT-GLASS HOLE
CLP00884	14	1	CLIP; ACCESS PANEL
GLS00164	14	1	PLUG; 0.75 MTG HOLE SNAP-IN
BAF00877	16	1	BAFFLE;
ANG00625	19	2	ANGLE, FILTER RETAINER 15 X .31 GALVANIZED
BRK01574	20	3	BRACKET;CONNECTION,COIL ATTACHMENT,FOR AIR HANDLER CONNECT.
SUP02162	21	1	SUPPORT, FILTER
GRM00836	22	1	GROMMET; WIRE, 2.55 LENGTH X 1.69 WIDTH X .32 THICK
MNT02206	23	1	MOUNT; IFC CONTROL PLATFORM
CNT05995	24	1	CONTROL; INTEGRATED FURNACE, 1 STAGE, SINI
TRR01816	25	1	TRANSFORMER;
SWT00771	26	1	SWITCH;LIMIT, OPEN:125 DEG F/CLOSE:115 DEG F, 125 VOLT AMP 120-240 VAC PILOT DUTY
BRK02173	27	1	BRACKET; INNER BLOWER DOOR DISCONNECT SWITCH
BRK02826	27	1	BRACKET; BLOWER DOOR SWITCH
SWT01714	27	1	SWITCH; DOOR SPST, 21 AMP, 125/250VAC
DOR01238	28	1	DOOR; INNER BLOWER
SUP04110	30	2	SUPPORT; INNER DOOR
SWT01652	31	1	SWITCH;THERMAL LIMIT,OPEN AT 230F,CLOSE AT 200F, 5.8 FLA @ 120V
GKT03506	32	1	GASKET; LIMIT SWITCH
TRP00007	33	1	TRAP; CANNISTER
TUB11757	36	1	TUBE; CONDENSATE TUBE ASSEMBLY, COLD HEADER TO CANISTER TRAP. ASSEMBLY INCLUDES HOSE AND CLAMP.
TUB11754	39	1	TUBE; CONDENSATE TUBE ASSEMBLY, INDUCER TO CANISTER TRAP. INCLUDES HOSE AND CLAMP.
BOX01499	42	1	BOX; JUNCTION BOX
COV03320	43	1	COVER; JUNCTION BOX COVER

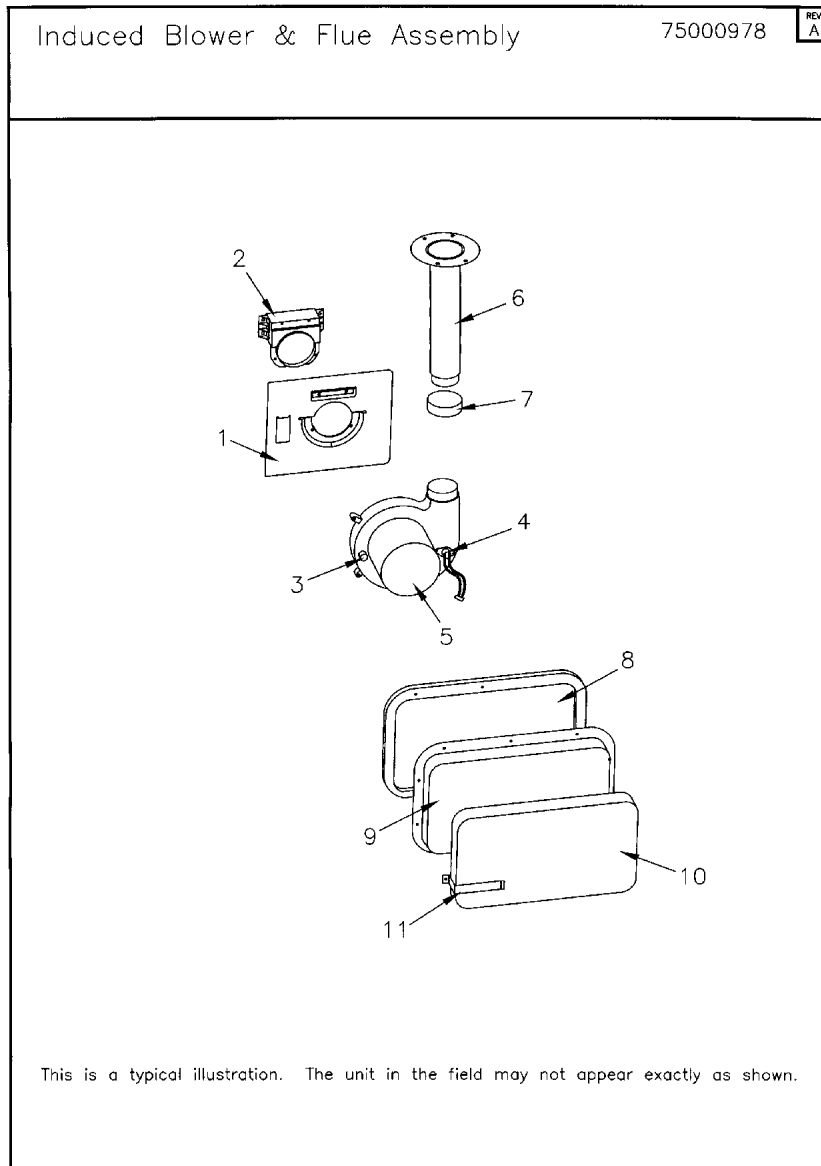
Part No.	Reference No.	Quantity	Description
BUS00300	44	1	BUSHING; STRAIN RELIEF
SWT02965	45	1	SWITCH; PRESSURE, 28 VA PILOT DUTY 24 VAC, 125 VA PILOT DUTY 120 VAC. , 1/10 HP, 3 FLA, 18 LRA 24 VAC. OPEN AT -1.25 WC, CLOSE AT -1.44 WC
GKT03082	47	1	GASKET; INLET, 4.0 X 4.0 NONWOVEN FIBERGLASS
ADP00446	48	2	ADAPTER; INLET, 3" DIA
TUB12137	49	1	TUBE; DIRECT VENT HOSE ASSEMBLY. DIRECT VENT BOX TO GAS VALVE. ASSEMBLY INCLUDES: BLACK RUBBER TUBING AND BARBED TYPE ADAPTER, TEE00195.
BAF00854	50	1	BAFFLE; HEAT EXCHANGER



Parts List Number :FUR195#FURUP195

Model Number :ADH1B040A9241CA

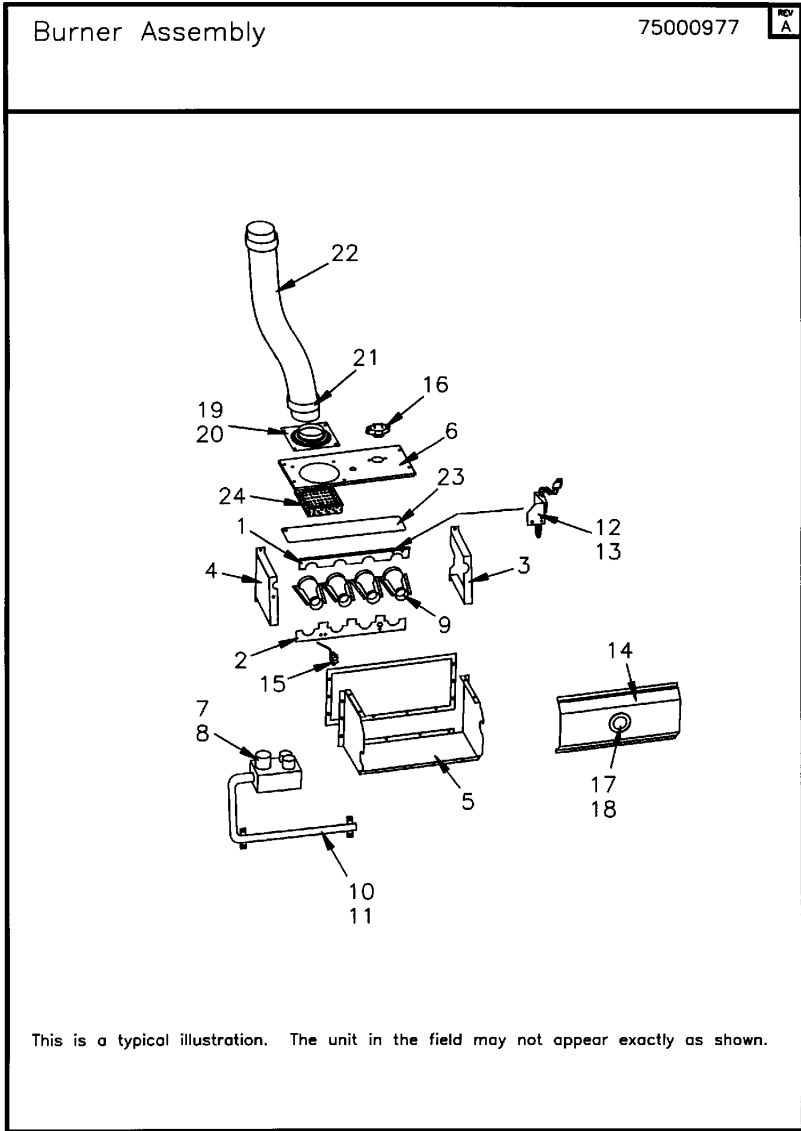
Part No.	Reference No.	Quantity	Description
75000978_FURUP195_130885~P	*		INDUCED BLOWER AND FLUE ASSEMBLY PARTS LIST



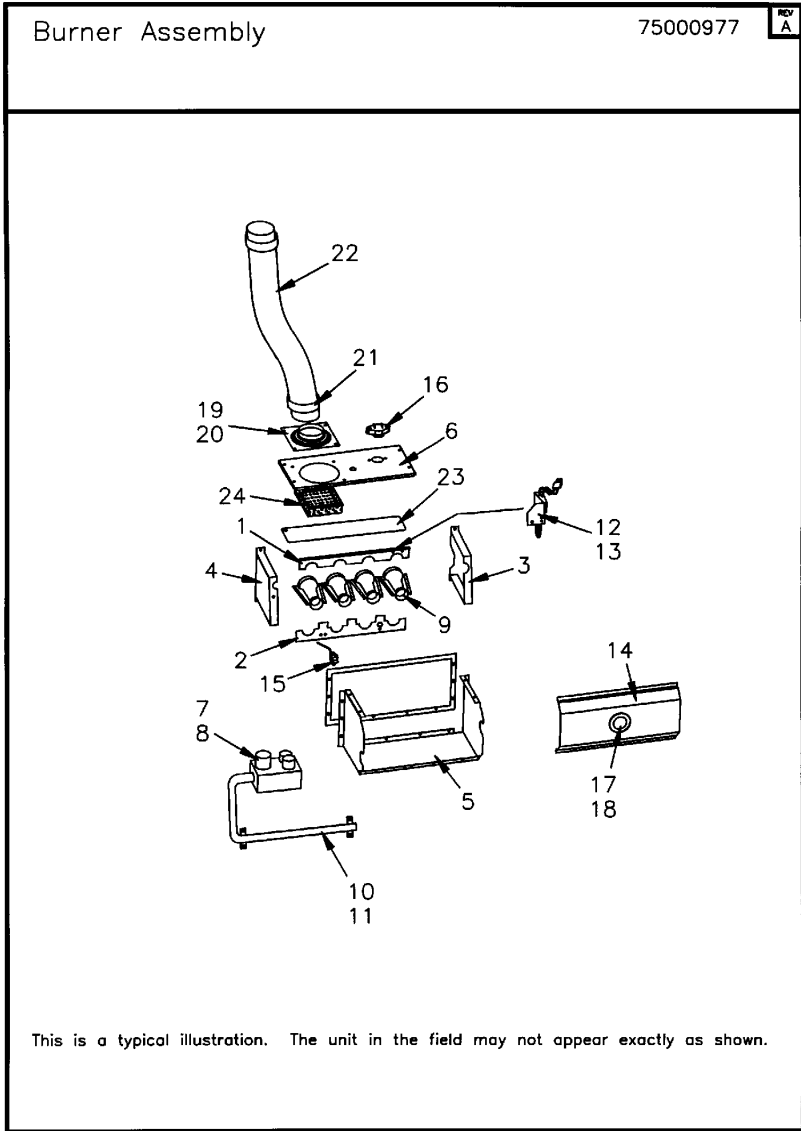
Parts List Number :FUR195#FURUP195

Model Number :ADH1B040A9241CA

Part No.	Reference No.	Quantity	Description
MNT02266	1	1	MOUNT; INDUCER MOTOR MOUNTING PLATE, GALVANIZED STEEL
RCT00851	2	1	RECEPTACLE; TRANSITION INCLUDING FOUR MOUNTING SCREWS
CAP00453	3	1	CAP; VINYL
SWT02686	4	1	SWITCH; LIMIT INDUCER, OPEN 155, CLOSE 125 DEG F
BLW01137	5	1	BLOWER; INDUCER DRAFT, 1-STAGE, BALL BEARING
PIP00365	6	1	PIPE; FLUE, MOLDED
CMP00381	7	1	CLAMP; FLUE STACK PIPE TO INDUCED BLOWER
GKT02604	8	1	GASKET;COLLECTOR BOX
BOX00579	9	1	BOX; FLUE COLLECTOR
INS01972	10	1	INSULATION; COLLECTOR BOX



Part No.	Reference No.	Quantity	Description
75000977_FURUP195_130877~P	*		BURNER ASSEMBLY PARTS LIST

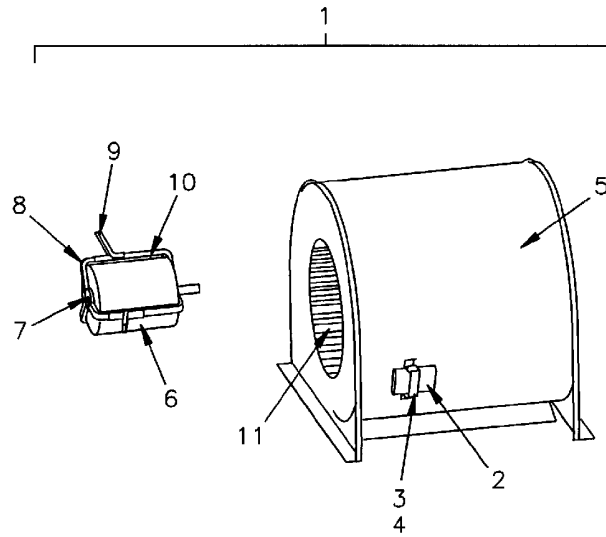


Part No.	Reference No.	Quantity	Description
GKT03085	*	1	GASKET; VENT BOX
BRK01959	1	1	BRACKET; TOP
BRK01526	2	1	BRACKET; BURNER
SUP02127	3	1	SUPPORT; BURNER-RIGHT HAND
SUP02126	4	1	SUPPORT; BURNER-LEFT HAND
BOX00604	5	1	BOX;DIRECT VENT
COV03094	6	1	COVER; TOP DIRECT VENT - DOWNFLOW
VAL09028	7	1	VALVE; GAS, FAST OPENING 1/2-14 NPT, 24V, 50/60 HZ, "J" SERIES
PIP00343	8	1	PIPE; COMPOUND
BNR01074	9	2	BURNER; ALUMINUM STL, .50 INSERT DIA, TOG-L-LOC
ORF01427	10	2	ORIFICE; SPUD, DRILL #45, BRASS
MFD00904	11	1	MANIFOLD; GAS
IGN00117	12	1	IGNITOR; INCLUDES SiNi (A341947P01), BRACKET (A341948P02) AND INSTALLER'S GUIDE (X341955P01).
BRK03336	13	1	BRACKET; SiNi IGNITOR BRACKET
COV03010	14	1	COVER; FRONT, D.V.
SEN01114	15	1	SENSOR; FLAME, NIKROTHAL 80 MATERIAL
SWT03313	16	1	SWITCH; SWITCH-FLAME ROLLOUT, 82 DEGREES C, 190 DEGREES F, NON-TRIP FREE, 5.8 FLA, 34.8 LRA AT 120 VAC, 24 VAC, MANUAL RESET, FIXED TEMPERATURE THERMOSTAT AND NON-ADJUSTABLE.
GLS00820	18	1	GLASS; SIGHT
GKT03082	19	2	GASKET; INLET, 4.0 X 4.0 NONWOVEN FIBERGLASS
ADP00446	20	2	ADAPTER; INLET, 3" DIA
ADP01053	20	1	ADAPTER; FLUE CONNECTOR WITH PERFORATED AIR DIFFUSER, 3 INCH DIAMETER, PLASTIC
CMP00380	21	2	CLAMP; FLUE STACK
CON00468	22	1	CONNECTOR; FLEX
PLT02218	23	1	PLATE; DEFLECTOR
DIF00178	24	1	DIFFUSER; AIR

Blower Assembly

75000660

REV  
A



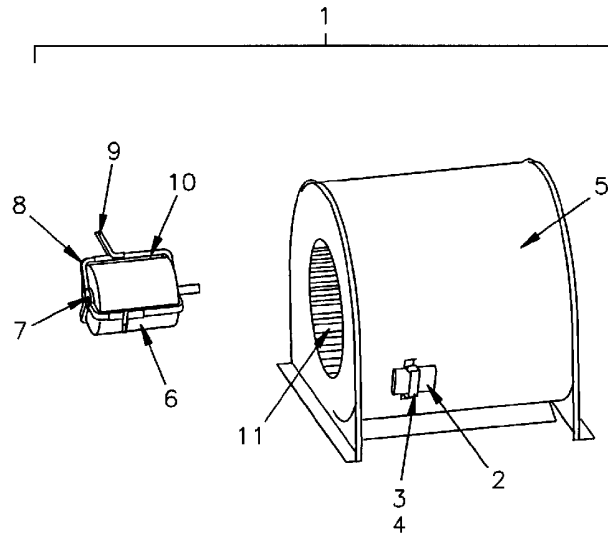
This is a typical illustration. The unit in the field may not appear exactly as shown.

Part No.	Reference No.	Quantity	Description
75000660_FURUP195_324810~P	*		BLOWER ASSEMBLY PARTS LIST

Blower Assembly

75000660

REV  
A



This is a typical illustration. The unit in the field may not appear exactly as shown.

Part No.	Reference No.	Quantity	Description
BLW01393	1	1	BLOWER; ASSEMBLY, COMPLETE WITH MOTOR
CPT00477	2	1	CAPACITOR; RUN, 7.5 MFD, 370VAC, OVAL, W/O RESISTOR
SRP00841	3	1	STRAP;
HUS01568	5	1	HOUSING;BLOWER ASSEMBLY
MOT17360	6	1	MOTOR; 1/5 HP, 115/60/1, 1080 RPM, 48 FRAME, TYPE PSC, SLEEVE BEARINGS, 7.5 MFD AT 370V, CCW, W/RESILIENT RING
BRK00690	8	1	BRACKET; ASSEMBLY, SHORT, 4.06 X 2.31, INCLUDES RING CUP
SUP03399	9	3	SUPPORT; HANGER
BRK00691	10	1	BRACKET; ASSEMBLY, LONG, 5.00 X 2.39, INCLUDES RING CUP
WHL00536	11	1	WHEEL; BLOWER,10IN.DIA X 7IN. WIDTH, .50IN. BORE,CW CONVEX

MODEL NUMBER DESCRIPTION		75008227	REV A
FURNACES			
T U D 1 A 0 8 0 A 9 3 6 1 A A 1 2 3 4 5 6 7 8 9 10 11 12 13 14 15			
<p>Digit 1 Brand T = Trane A = American Standard C = STANDARD</p> <p>Digit 2 Configuration H = Horizontal U = Upflow or Upflow/Horizontal D = Downflow or Downflow/Horizontal M = Multiphase 4-Way</p> <p>Digit 3 Product Family B = 80% Induced Draft Standard "Tradenames" E = 80% Induced Draft Standard D = 80% Induced Draft Premium C = 90% Condensing 1 Pipe X = 90% Direct Vent 1 or 2 Pipe</p> <p>Digit 4 Heating Stages 1 = Single Stage 2 = Two Stage 3 = Three Stage V = Modulating</p> <p>Digit 5 Cabinet Width A = 14.5" Cabinet Width B = 17.5" Cabinet Width C = 21.0" Cabinet Width D = 24.5" Cabinet Width</p> <p>Digits 6,7,8 Capacity 080 = Heating Input MBTUH</p>	<p>Digit 9 Major Modification A = Major Design Change</p> <p>Digit 10 Voltage 9 = 115 Volts / Natural Gas F = 115 Volts / Natural Gas with Integrated Electronic Filter</p> <p>Digits 11 &amp; 12 Airflow-Blower Type 36 = 3 Ton Standard PSC Motor H3 = 3 Ton High Efficiency Motor V3 = 3 Ton Variable Speed Motor</p> <p>Digit 13 Draft Inducer Speed 1 = Single Speed 2 = Two speed V = Variable Speed</p> <p>Digit 14 Minor Modification A = Minor Design Change</p> <p>Digit 15 Service Digit A = Service Digit</p>		

Part No.	Reference No.	Quantity	Description
75008227_FURUP195_130901~P	*		MODEL NUMBER DESCRIPTION PARTS LIST

MODEL NUMBER DESCRIPTION		75008227	REV A
FURNACES			
T	U	D	1 A 0
1	2	3	4 5 6
8	0	A	9
3	6	1	A A
7	8	9	10
11	12	13	14
15			
<p>Digit 1 Brand T = Trane A = American Standard C = STANDARD</p>		<p>Digit 9 Major Modification A = Major Design Change</p>	
<p>Digit 2 Configuration H = Horizontal U = Upflow or Upflow/Horizontal D = Downflow or Downflow/Horizontal M = Multiphase 4-Way</p>		<p>Digit 10 Voltage 9 = 115 Volts / Natural Gas F = 115 Volts / Natural Gas with Integrated Electronic Filter</p>	
<p>Digit 3 Product Family B = 80% Induced Draft Standard "Tradenames" E = 80% Induced Draft Standard D = 80% Induced Draft Premium C = 90% Condensing 1 Pipe X = 90% Direct Vent 1 or 2 Pipe</p>		<p>Digits 11 &amp; 12 Airflow-Blower Type 36 = 3 Ton Standard PSC Motor H3 = 3 Ton High Efficiency Motor V3 = 3 Ton Variable Speed Motor</p>	
<p>Digit 4 Heating Stages 1 = Single Stage 2 = Two Stage 3 = Three Stage V = Modulating</p>		<p>Digit 13 Draft Inducer Speed 1 = Single Speed 2 = Two speed V = Variable Speed</p>	
<p>Digit 5 Cabinet Width A = 14.5" Cabinet Width B = 17.5" Cabinet Width C = 21.0" Cabinet Width D = 24.5" Cabinet Width</p>		<p>Digit 14 Minor Modification A = Minor Design Change</p>	
<p>Digits 6,7,8 Capacity 080 = Heating Input MBTUH</p>		<p>Digit 15 Service Digit A = Service Digit</p>	

