

| Part No. | Reference No. | Quantity | Description |
|------------------------|----------------------|-----------------|----------------------------------|
| 75002424#TDEUP25~S | * | | BLOWER ASSEMBLY |
| 75000676#TDEUP25~S | * | | BURNER ASSEMBLY |
| 75004163#TDEUP25~S | * | | GENERAL ASSEMBLY |
| 75000675#TDEUP25~S | * | | INDUCED BLOWER AND FLUE ASSEMBLY |
| 75008227#TDEUP25~S | * | | MODEL NOMENCLATURE |
| TDE25_TDEUP25_109905~P | * | | TDEUP25 PARTS LIST |

NO GRAPHIC AVAILABLE

75013702

REV
A

**NO
GRAPHIC
AVAILABLE**



| Part No. | Reference No. | Quantity | Description |
|---------------------------|---------------|----------|-----------------------------|
| 75004163_TDEUP25_330308~P | * | | GENERAL ASSEMBLY PARTS LIST |

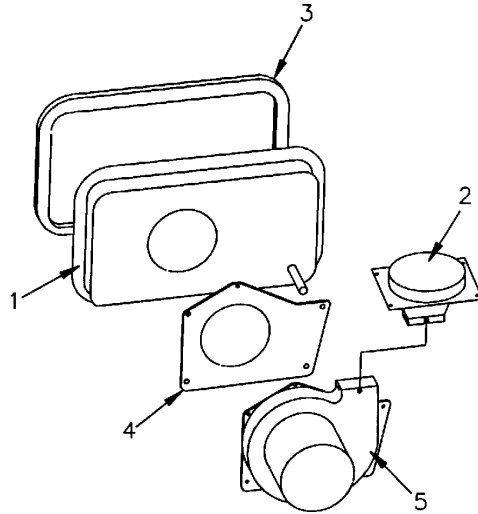


| Part No. | Reference No. | Quantity | Description |
|----------|---------------|----------|--|
| BRK01968 | * | 1 | BRACKET; HEAT EXCHANGER SUPPORT |
| BRK02826 | * | 1 | BRACKET; BLOWER DOOR SWITCH |
| GKT01700 | * | 1 | MIN=6/6 GASKET; ADAPTER 0.25 X 0.75 X 3.22 |
| GLS00164 | * | 1 | PLUG; 0.75 MTG HOLE SNAP-IN |
| PIP00343 | * | 1 | PIPE; COMPOUND |
| SWT01714 | * | 1 | SWITCH; DOOR SPST, 21 AMP, 125/250VAC |
| TUB08301 | * | 1 | TUBE; PRESSURE SWITCH, STAINLESS STEEL, .025 O.D. .035 WALL THK. |
| WIR04913 | * | 1 | WIRE; HARNESS 12 PIN ONE STAGE, INCLUDES CON00105 |
| WIR05159 | * | 1 | WIRE; HARNESS 2 PIN DF |
| WIR05160 | * | 1 | WIRE; HARNESS, 2 PIN DF, 5 INCH BLACK WIRE |
| WIR05286 | * | 1 | WIRE; FURNACE MISC. 16 AWG, 9 INCHES |
| CBT01426 | 1 | 1 | CABINET; REPLACEMENT WRAPPER ASSEMBLY |
| EXC01014 | 2 | 1 | EXCHANGER; HEAT |
| COV03068 | 5 | 1 | COVER; REPLACEMENT TOP COVER ASSEMBLY |
| COV03166 | 6 | 1 | COVER; PANEL, TOP ONLY |
| SPG00309 | 7 | 1 | SPRING; DOOR RETAINER, INCLUDED IN COVER ASSEMBLY |
| RIV00071 | 8 | 1 | RIVET; POP, QTY 100 PER BOX COMPLETE COVER ASSEMBLY WILL INCLUDE THIS |
| PNN05914 | 9 | 1 | PANEL; BOTTOM |
| DOR03124 | 10 | 1 | DOOR; BURNER, LOUVERED. COLOR: POLYSLATE GRAY; 19.96 X 20.13 |
| PLT04236 | 11 | 1 | PLATE; AMERICAN STANDARD APPEARANCE NAMEPLATE, 6.50 X 1.11 |
| DOR00949 | 12 | 1 | DOOR; REPLACEMENT FURNACE DOOR ASSEMBLY, POLYSLATE GRAY, INCLUDES: GLS00164 AND CLP00885. DOOR ONLY IS DOR02685 |
| DOR02685 | 13 | 1 | DOOR; FURNACE DOOR ONLY W/SIGHT GLASS HOLE. PAINT COLOR: POLYSLATE GRAY |
| CLP00885 | 14 | 1 | CLIP; ACCESS PANEL |
| BRK02173 | 15 | 1 | BRACKET; INNER BLOWER DOOR DISCONNECT SWITCH |
| BAF00899 | 17 | 1 | BAFFLE; HEAT EXCHANGER |
| ANG00625 | 19 | 2 | ANGLE, FILTER RETAINER 15 X .31 GALVANIZED |
| BRK01574 | 20 | 3 | BRACKET; CONNECTION, COIL ATTACHMENT, FOR AIR HANDLER CONNECT. |
| SUP02162 | 21 | 1 | SUPPORT, FILTER |
| GRM00836 | 22 | 1 | GROMMET; WIRE, 2.55 LENGTH X 1.69 WIDTH X .32 THICK |
| GRM00855 | 22 | 1 | GROMMET; 1.75 WIDE X .18 THICK, MOLDED CHLOROPRENE, 80 DUROMETER |
| CNT03799 | 24 | 1 | CONTROL; IFC W/COVER AND WIRE LEADS |
| TRR01816 | 25 | 1 | TRANSFORMER; |
| SUP04110 | 26 | 2 | SUPPORT; INNER DOOR |
| DOR02018 | 27 | 1 | DOOR; INNER BLOWER |
| SWT01276 | 30 | 1 | SWITCH; THERMAL LIMIT, OPEN AT 140, CLOSE AT 110 DEG. F |
| SHD00194 | 32 | 1 | SHIELD; LIMIT |
| BOX01499 | 33 | 1 | BOX; JUNCTION BOX |
| COV03320 | 34 | 1 | COVER; JUNCTION BOX COVER |
| BUS00300 | 35 | 1 | BUSHING; STRAIN RELIEF |
| IRT00020 | 36 | 5 | INSERT; BURNER |
| SWT02293 | 37 | 1 | SWITCH; PRESSURE, 1 POLE, N.O., 1/10 HP, 3 FLA, 18 LRA, 120 VAC, OPEN AT -0.45 TO -0.55 WC, CLOSE AT -0.65 (IS2) |
| HSE00334 | 38 | 1 | HOSE; PRESSURE SWITCH |

Induced Blower and Flue Assembly

75000675

REV
A



This is a typical illustration. The unit in the field may not appear exactly as shown.

Parts List Number :TDE25#TDEUP25

Model Number :ADE1C100A9601AC

| Part No. | Reference No. | Quantity | Description |
|---------------------------|---------------|----------|---|
| 75000675_TDEUP25_297368~P | * | | INDUCED BLOWER AND FLUE ASSEMBLY PARTS LIST |

Induced Blower and Flue Assembly

75000675

REV
A



This is a typical illustration. The unit in the field may not appear exactly as shown.

INDUCED BLOWER AND FLUE ASSEMBLY PARTS LIST

Parts List Number :TDE25#TDEUP25

Model Number :ADE1C100A9601AC

| Part No. | Reference No. | Quantity | Description |
|-----------------|----------------------|-----------------|----------------------------------|
| FLU00142 | 1 | 1 | FLUE; COLLECTOR ASM. |
| ADP00295 | 2 | 1 | ADAPTER;FLUE TRANSITION ASSEMBLY |
| GKT02605 | 3 | 1 | GASKET;COLLECTOR BOX |
| GKT03081 | 4 | 1 | GASKET; VENTER ASSEMBLY |
| BLW00869 | 5 | 1 | BLOWER; INDUCER, 1-STAGE |



| Part No. | Reference No. | Quantity | Description |
|---------------------------|---------------|----------|----------------------------|
| 75000676_TDEUP25_238913~P | * | | BURNER ASSEMBLY PARTS LIST |



| Part No. | Reference No. | Quantity | Description |
|----------|---------------|----------|---|
| COV03463 | 1 | 1 | COVER; BURNER, 15.10 LG |
| SUP02127 | 2 | 1 | SUPPORT; BURNER-RIGHT HAND |
| VAL09029 | 3 | 1 | VALVE; GAS, SLOW OPENING 1/2-14 NPT, 24V, 50/60 HZ, "J" SERIES |
| ORF00644 | 4 | 5 | ORIFICE;SPUD, #45 DRILL |
| MFD00527 | 5 | 1 | MANIFOLD; PIPE ASSEMBLY, 5 BURNER |
| BRK03336 | 6 | 1 | BRACKET; SiNi IGNITOR BRACKET |
| IGN00152 | 7 | 1 | MIN=12/12 IGNITER; SILICON-NITRIDE, 120V, INCLUDES BRACKET AND SCREWS |
| SEN01114 | 8 | 1 | SENSOR; FLAME, NIKROTHAL 80 MATERIAL |
| BRK01529 | 9 | 1 | BRACKET; BURNER |
| BNR01074 | 10 | 5 | BURNER; ALUMINUM STL, .50 INSERT DIA, TOG-L-LOC |
| SWT02173 | 11 | 1 | SWITCH; SWITCH-FLAME ROLLOUT |
| SUP02126 | 12 | 1 | SUPPORT; BURNER-LEFT HAND |
| BRK01962 | 13 | 1 | BRACKET; TOP |



| Part No. | Reference No. | Quantity | Description |
|---------------------------|---------------|----------|----------------------------|
| 75002424_TDEUP25_311270~P | * | | BLOWER ASSEMBLY PARTS LIST |



| Part No. | Reference No. | Quantity | Description |
|-----------------|----------------------|-----------------|---|
| BLW00671 | 1 | 1 | BLOWER; REPLACEMENT BLOWER ASSEMBLY |
| CPT00478 | 2 | 1 | CAPACITOR; RUN, 15 MFD, 370VAC, OVAL, W/O RESISTOR |
| SRP00841 | 3 | 1 | STRAP; |
| SWT01655 | 4 | 1 | SWITCH; REVERSE FLOW, OPEN 125F CLOSE 115F |
| HUS01624 | 5 | 1 | HOUSING;BLOWER |
| MOT11992 | 6 | 1 | MOTOR; 1/2 HP, 115/60/1, 1075 RPM, TYPE PSC, 48 FRM, CCW, SLEEVE BRG, 15 MFD @ 370V, INCLUDES RESILIENT RINGS |
| BRK00690 | 8 | 1 | BRACKET; ASSEMBLY, SHORT, 4.06 X 2.31, INCLUDES RING CUP |
| BRK00691 | 8 | 1 | BRACKET; ASSEMBLY, LONG, 5.00 X 2.39, INCLUDES RING CUP |
| SUP03399 | 9 | 3 | SUPPORT; HANGER |
| WHL02057 | 10 | 1 | WHEEL; BLOWER, 11.7 X 10.6, .50 BORE, CW ROTATION |

| MODEL NUMBER DESCRIPTION | | 75008227 | REV A |
|---|---|----------|----------|
| FURNACES | | | |
| T U D 1 A 0 8 0 A 9 3 6 1 A A 1 2 3 4 5 6 7 8 9 10 11 12 13 14 15 | | | |
| <p>Digit 1 Brand T = Trane A = American Standard C = STANDARD</p> <p>Digit 2 Configuration H = Horizontal U = Upflow or Upflow/Horizontal D = Downflow or Downflow/Horizontal M = Multiphase 4-Way</p> <p>Digit 3 Product Family B = 80% Induced Draft Standard "Tradenames" E = 80% Induced Draft Standard D = 80% Induced Draft Premium C = 90% Condensing 1 Pipe X = 90% Direct Vent 1 or 2 Pipe</p> <p>Digit 4 Heating Stages 1 = Single Stage 2 = Two Stage 3 = Three Stage V = Modulating</p> <p>Digit 5 Cabinet Width A = 14.5" Cabinet Width B = 17.5" Cabinet Width C = 21.0" Cabinet Width D = 24.5" Cabinet Width</p> <p>Digits 6,7,8 Capacity 080 = Heating Input MBTUH</p> | <p>Digit 9 Major Modification A = Major Design Change</p> <p>Digit 10 Voltage 9 = 115 Volts / Natural Gas F = 115 Volts / Natural Gas with Integrated Electronic Filter</p> <p>Digits 11 & 12 Airflow-Blower Type 36 = 3 Ton Standard PSC Motor H3 = 3 Ton High Efficiency Motor V3 = 3 Ton Variable Speed Motor</p> <p>Digit 13 Draft Inducer Speed 1 = Single Speed 2 = Two speed V = Variable Speed</p> <p>Digit 14 Minor Modification A = Minor Design Change</p> <p>Digit 15 Service Digit A = Service Digit</p> | | |

| Part No. | Reference No. | Quantity | Description |
|---------------------------|---------------|----------|-------------------------------|
| 75008227_TDEUP25_109928~P | * | | MODEL NOMENCLATURE PARTS LIST |

| MODEL NUMBER DESCRIPTION | | 75008227 | REV A |
|---|---|----------|----------|
| FURNACES | | | |
| T U D 1 A 0 8 0 A 9 3 6 1 A A 1 2 3 4 5 6 7 8 9 10 11 12 13 14 15 | | | |
| <p>Digit 1 Brand T = Trane A = American Standard C = STANDARD</p> <p>Digit 2 Configuration H = Horizontal U = Upflow or Upflow/Horizontal D = Downflow or Downflow/Horizontal M = Multiphase 4-Way</p> <p>Digit 3 Product Family B = 80% Induced Draft Standard "Tradenames" E = 80% Induced Draft Standard D = 80% Induced Draft Premium C = 90% Condensing 1 Pipe X = 90% Direct Vent 1 or 2 Pipe</p> <p>Digit 4 Heating Stages 1 = Single Stage 2 = Two Stage 3 = Three Stage V = Modulating</p> <p>Digit 5 Cabinet Width A = 14.5" Cabinet Width B = 17.5" Cabinet Width C = 21.0" Cabinet Width D = 24.5" Cabinet Width</p> <p>Digits 6,7,8 Capacity 080 = Heating Input MBTUH</p> | <p>Digit 9 Major Modification A = Major Design Change</p> <p>Digit 10 Voltage 9 = 115 Volts / Natural Gas F = 115 Volts / Natural Gas with Integrated Electronic Filter</p> <p>Digits 11 & 12 Airflow-Blower Type 36 = 3 Ton Standard PSC Motor H3 = 3 Ton High Efficiency Motor V3 = 3 Ton Variable Speed Motor</p> <p>Digit 13 Draft Inducer Speed 1 = Single Speed 2 = Two speed V = Variable Speed</p> <p>Digit 14 Minor Modification A = Minor Design Change</p> <p>Digit 15 Service Digit A = Service Digit</p> | | |

