

Part No.	Reference No.	Quantity	Description
75002424#TDEUP25~S	*		BLOWER ASSEMBLY
75000676#TDEUP25~S	*		BURNER ASSEMBLY
75004163#TDEUP25~S	*		GENERAL ASSEMBLY
75000675#TDEUP25~S	*		INDUCED BLOWER AND FLUE ASSEMBLY
75008227#TDEUP25~S	*		MODEL NOMENCLATURE
TDE25_TDEUP25_109905~P	*		TDEUP25 PARTS LIST

NO GRAPHIC AVAILABLE

75013702

REV
A

**NO
GRAPHIC
AVAILABLE**



Part No.	Reference No.	Quantity	Description
75004163_TDEUP25_349624~P	*		GENERAL ASSEMBLY PARTS LIST

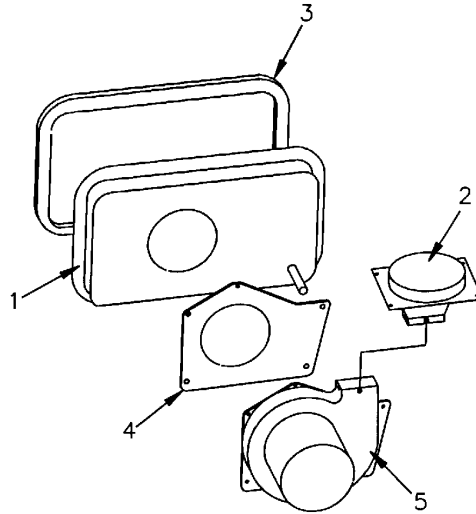


Part No.	Reference No.	Quantity	Description
BRK01967	*	1	BRACKET; HEAT EXCHANGER SUPPORT
BRK02826	*	1	BRACKET; BLOWER DOOR SWITCH
GKT01700	*	1	MIN=6/6 GASKET; ADAPTER 0.25 X 0.75 X 3.22
GLS00164	*	1	PLUG; 0.75 MTG HOLE SNAP-IN
PIP00343	*	1	PIPE; COMPOUND
SWT01714	*	1	SWITCH; DOOR SPST, 21 AMP, 125/250VAC
TUB08301	*	1	TUBE; PRESSURE SWITCH, STAINLESS STEEL, .025 O.D. .035 WALL THK.
WIR02215	*	1	WIRE; IGNITOR HARNESS ASSEMBLY W/4 PIN MALE CONNECTOR
WIR02360	*	1	WIRE; REPL-WIRING HARNESS ASSEMBLY W/12 PIN MALE CONNECTOR
WIR04912	*	1	WIRE; HARNESS 12 PIN ONE STAGE, INCLUDES CON00105
WIR05159	*	1	WIRE; HARNESS 2 PIN DF
WIR05160	*	1	WIRE; HARNESS, 2 PIN DF, 5 INCH BLACK WIRE
WIR05286	*	1	WIRE; FURNACE MISC. 16 AWG, 9 INCHES
CBT01424	1	1	CABINET; REPLACEMENT WRAPPER ASSEMBLY
EXC00998	2	1	EXCHANGER; HEAT
COV03067	5	1	COVER; REPLACEMENT TOP COVER ASSEMBLY
COV03165	6	1	COVER; PANEL, TOP ONLY
SPG00309	7	1	SPRING; DOOR RETAINER, INCLUDED IN COVER ASSEMBLY
RIV00071	8	1	RIVET; POP, QTY 100 PER BOX COMPLETE COVER ASSEMBLY WILL INCLUDE THIS
PNN05913	9	1	PANEL; BOTTOM
DOR03123	10	1	DOOR; BURNER, LOUVERED. COLOR: POLYSLATE GRAY, 19.96 X 16.63
PLT04236	11	1	PLATE; AMERICAN STANDARD APPEARANCE NAMEPLATE, 6.50 X 1.11
DOR00948	12	1	DOOR; REPLACEMENT FURNACE DOOR ASSEMBLY, POLYSLATE GRAY, INCLUDES: GLS00164 AND CLP00884. DOOR ONLY IS: DOR02684
DOR02684	13	1	DOOR; FURNACE DOOR ONLY W/SIGHT GLASS HOLE. PAINT COLOR: POLYSLATE GRAY
CLP00884	14	1	CLIP; ACCESS PANEL
BRK02173	15	1	BRACKET; INNER BLOWER DOOR DISCONNECT SWITCH
BAF00898	16	2	BAFFLE; HEAT EXCHANGER
BAF00900	17	2	BAFFLE; HEAT EXCHANGER
ANG00625	19	2	ANGLE, FILTER RETAINER 15 X .31 GALVANIZED
BRK01574	20	3	BRACKET; CONNECTION, COIL ATTACHMENT, FOR AIR HANDLER CONNECT.
SUP02162	21	1	SUPPORT, FILTER
GRM00836	22	1	GROMMET; WIRE, 2.55 LENGTH X 1.69 WIDTH X .32 THICK
GRM00855	22	1	GROMMET; 1.75 WIDE X .18 THICK, MOLDED CHLOROPRENE, 80 DUROMETER
CNT03799	24	1	CONTROL; IFC W/COVER AND WIRE LEADS
TRR01816	25	1	TRANSFORMER;
SUP04110	26	2	SUPPORT; INNER DOOR
DOR02017	27	1	DOOR; INNER BLOWER
SWT01280	30	1	SWITCH; THERMAL LIMIT, OPEN AT 155, CLOSE AT 125 DEG. F
BOX01499	33	1	BOX; JUNCTION BOX
COV03320	34	1	COVER; JUNCTION BOX COVER
BUS00300	35	1	BUSHING; STRAIN RELIEF
IRT00020	36	4	INSERT; BURNER
SWT02293	37	1	SWITCH; PRESSURE, 1 POLE, N.O., 1/10 HP, 3 FLA, 18 LRA, 120 VAC, OPEN AT -0.45 TO -0.55 WC, CLOSE AT -0.65 (IS2)
HSE00334	38	1	HOSE; PRESSURE SWITCH

Induced Blower and Flue Assembly

75000675

REV
A



This is a typical illustration. The unit in the field may not appear exactly as shown.

Parts List Number :TDE25#TDEUP25

Model Number :ADE1B080A9451AB

Part No.	Reference No.	Quantity	Description
75000675_TDEUP25_271694~P	*		INDUCED BLOWER AND FLUE ASSEMBLY PARTS LIST

Induced Blower and Flue Assembly

75000675

REV
A



This is a typical illustration. The unit in the field may not appear exactly as shown.

Parts List Number :TDE25#TDEUP25

Model Number :ADE1B080A9451AB

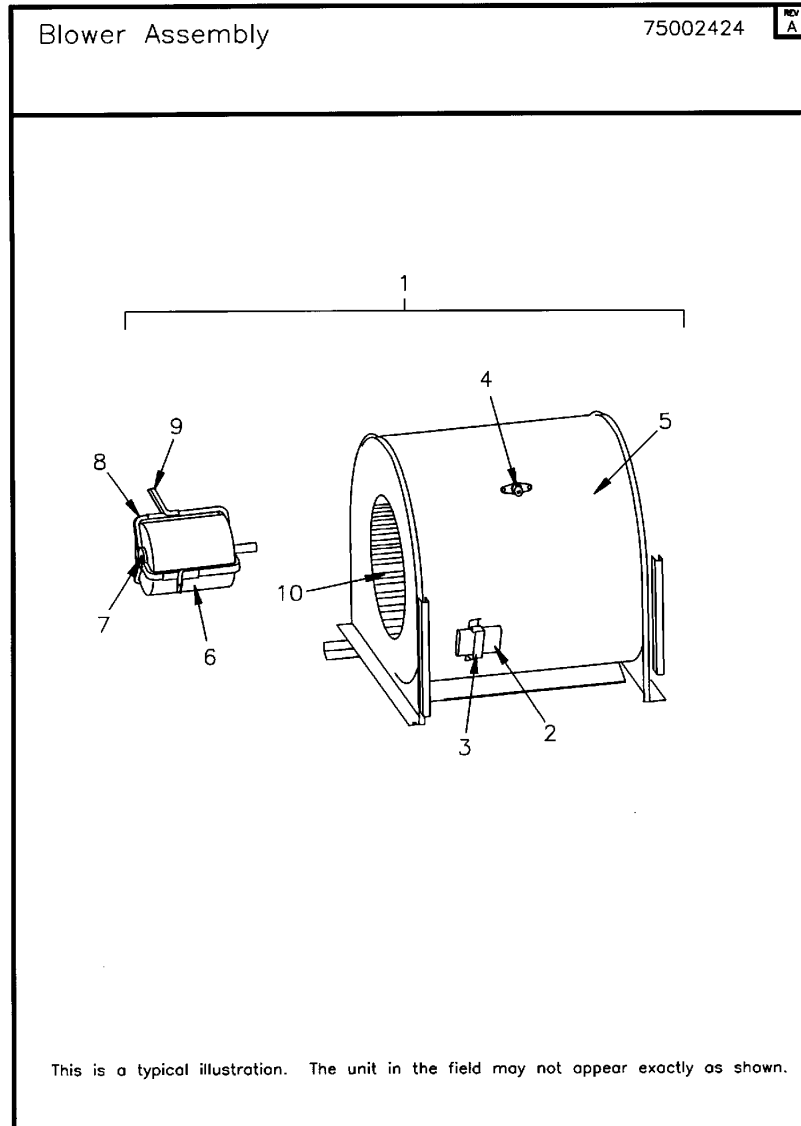
Part No.	Reference No.	Quantity	Description
FLU00141	1	1	FLUE; COLLECTOR ASM.
ADP00295	2	1	ADAPTER;FLUE TRANSITION ASSEMBLY
GKT02604	3	1	GASKET;COLLECTOR BOX
GKT03081	4	1	GASKET; VENTER ASSEMBLY
BLW00887	5	1	BLOWER; INDUCED, 1 STAGE



Part No.	Reference No.	Quantity	Description
75000676_TDEUP25_321337~P	*		BURNER ASSEMBLY PARTS LIST



Part No.	Reference No.	Quantity	Description
COV03462	1	1	COVER; BURNER, 12.10 LG
SUP02127	2	1	SUPPORT; BURNER-RIGHT HAND
VAL09029	3	1	VALVE; GAS, SLOW OPENING 1/2-14 NPT, 24V, 50/60 HZ, "J" SERIES
ORF00644	4	4	ORIFICE;SPUD, #45 DRILL
MFD00526	5	1	MANIFOLD;PIPE ASSEMBLY, 4 BURNER
SUP03418	6	1	SUPPORT; IGNITOR
IGN00054	7	1	IGNITOR; HOT SURFACE, 120V AT 3.5 AMP
SEN01114	8	1	SENSOR; FLAME, NIKROTHAL 80 MATERIAL
BRK01528	9	1	BRACKET; BURNER
BNR01074	10	4	BURNER; ALUMINUM STL, .50 INSERT DIA, TOG-L-LOC
SWT02173	11	1	SWITCH; SWITCH-FLAME ROLLOUT
SUP02126	12	1	SUPPORT; BURNER-LEFT HAND
BRK01961	13	1	BRACKET; TOP



Part No.	Reference No.	Quantity	Description
75002424_TDEUP25_304195~P	*		BLOWER ASSEMBLY PARTS LIST



Part No.	Reference No.	Quantity	Description
BLW00527	1	1	BLOWER; REPLACEMENT ASM. W/MOTOR
CPT00088	2	1	CAPACITOR; RUN, 10 MFD, 440V OVAL, W/O RESISTOR
SRP00841	3	1	STRAP;
SWT01656	4	1	SWITCH; REVERSE FLOW, OPEN 130F, CLOSE 120F
HUS01623	5	1	HOUSING;BLOWER
MOT13138	6	1	MOTOR; 1/3HP, 115/60/1, 1075 RPM, 48FRM, TYP PSC, SLEEVE BRG, 10 MFD AT 370V CCW W/RESILIENT RING
RNG00957	7	2	RING; RESILIENT, 2.5 OD
BRK00690	8	1	BRACKET; ASSEMBLY, SHORT, 4.06 X 2.31, INCLUDES RING CUP
BRK00691	8	1	BRACKET; ASSEMBLY, LONG, 5.00 X 2.39, INCLUDES RING CUP
SUP03399	9	3	SUPPORT; HANGER
WHL00496	10	1	WHEEL; BLOWER, 10 INCH DIA X 8 INCH WIDTH, 1/2 INCH BORE, CONVEX, CW

MODEL NUMBER DESCRIPTION		75008227	REV A
FURNACES			
T U D 1 A 0 8 0 A 9 3 6 1 A A 1 2 3 4 5 6 7 8 9 10 11 12 13 14 15			
<p>Digit 1 Brand T = Trane A = American Standard C = STANDARD</p> <p>Digit 2 Configuration H = Horizontal U = Upflow or Upflow/Horizontal D = Downflow or Downflow/Horizontal M = Multiphase 4-Way</p> <p>Digit 3 Product Family B = 80% Induced Draft Standard "Tradenames" E = 80% Induced Draft Standard D = 80% Induced Draft Premium C = 90% Condensing 1 Pipe X = 90% Direct Vent 1 or 2 Pipe</p> <p>Digit 4 Heating Stages 1 = Single Stage 2 = Two Stage 3 = Three Stage V = Modulating</p> <p>Digit 5 Cabinet Width A = 14.5" Cabinet Width B = 17.5" Cabinet Width C = 21.0" Cabinet Width D = 24.5" Cabinet Width</p> <p>Digits 6,7,8 Capacity 080 = Heating Input MBTUH</p>	<p>Digit 9 Major Modification A = Major Design Change</p> <p>Digit 10 Voltage 9 = 115 Volts / Natural Gas F = 115 Volts / Natural Gas with Integrated Electronic Filter</p> <p>Digits 11 & 12 Airflow-Blower Type 36 = 3 Ton Standard PSC Motor H3 = 3 Ton High Efficiency Motor V3 = 3 Ton Variable Speed Motor</p> <p>Digit 13 Draft Inducer Speed 1 = Single Speed 2 = Two speed V = Variable Speed</p> <p>Digit 14 Minor Modification A = Minor Design Change</p> <p>Digit 15 Service Digit A = Service Digit</p>		

Part No.	Reference No.	Quantity	Description
75008227_TDEUP25_109928~P	*		MODEL NOMENCLATURE PARTS LIST

MODEL NUMBER DESCRIPTION		75008227	REV A
FURNACES			
T U D 1 A 0 8 0 A 9 3 6 1 A A 1 2 3 4 5 6 7 8 9 10 11 12 13 14 15			
Digit 1 Brand T = Trane A = American Standard C = STANDARD		Digit 9 Major Modification A = Major Design Change	
Digit 2 Configuration H = Horizontal U = Upflow or Upflow/Horizontal D = Downflow or Downflow/Horizontal M = Multiphase 4-Way		Digit 10 Voltage 9 = 115 Volts / Natural Gas F = 115 Volts / Natural Gas with Integrated Electronic Filter	
Digit 3 Product Family B = 80% Induced Draft Standard "Tradenames" E = 80% Induced Draft Standard D = 80% Induced Draft Premium C = 90% Condensing 1 Pipe X = 90% Direct Vent 1 or 2 Pipe		Digits 11 & 12 Airflow-Blower Type 36 = 3 Ton Standard PSC Motor H3 = 3 Ton High Efficiency Motor V3 = 3 Ton Variable Speed Motor	
Digit 4 Heating Stages 1 = Single Stage 2 = Two Stage 3 = Three Stage V = Modulating		Digit 13 Draft Inducer Speed 1 = Single Speed 2 = Two speed V = Variable Speed	
Digit 5 Cabinet Width A = 14.5" Cabinet Width B = 17.5" Cabinet Width C = 21.0" Cabinet Width D = 24.5" Cabinet Width		Digit 14 Minor Modification A = Minor Design Change	
Digits 6,7,8 Capacity 080 = Heating Input MBTUH		Digit 15 Service Digit A = Service Digit	

