

<b>Part No.</b>	<b>Reference No.</b>	<b>Quantity</b>	<b>Description</b>
75002424#TDEUP21~S	*		BLOWER ASSEMBLY
75000676#TDEUP21~S	*		BURNER ASSEMBLY
75004163#TDEUP21~S	*		GENERAL ASSEMBLY
75000675#TDEUP21~S	*		INDUCED BLOWER AND FLUE ASSEMBLY
75008227#TDEUP21~S	*		MODEL NOMENCLATURE
TDE21_TDEUP21_123134~P	*		TDEUP21 PARTS LIST

NO GRAPHIC AVAILABLE

75013702

REV  
A

**NO  
GRAPHIC  
AVAILABLE**



Part No.	Reference No.	Quantity	Description
75004163_TDEUP21_386778~P	*		GENERAL ASSEMBLY PARTS LIST

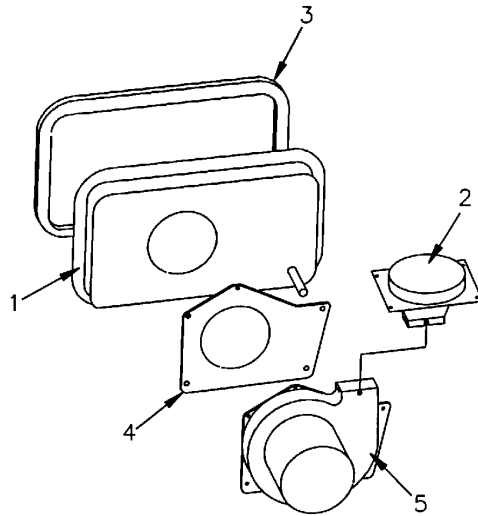


Part No.	Reference No.	Quantity	Description
BRK01967	*	1	BRACKET; HEAT EXCHANGER SUPPORT
BRK02826	*	1	BRACKET; BLOWER DOOR SWITCH
GKT01700	*	1	MIN=6/6 GASKET; ADAPTER 0.25 X 0.75 X 3.22
GLS00164	*	1	PLUG; 0.75 MTG HOLE SNAP-IN
PIP00343	*	1	PIPE; COMPOUND
SWT01714	*	1	SWITCH; DOOR SPST, 21 AMP, 125/250VAC
TUB08301	*	1	TUBE; PRESSURE SWITCH, STAINLESS STEEL, .025 O.D. .035 WALL THK.
WIR02215	*	1	WIRE; IGNITOR HARNESS ASSEMBLY W/4 PIN MALE CONNECTOR
WIR02360	*	1	WIRE; REPL-WIRING HARNESS ASSEMBLY W/12 PIN MALE CONNECTOR
CBT01424	1	1	CABINET; REPLACEMENT WRAPPER ASSEMBLY
EXC01426	2	1	EXCHANGER; HEAT
COV03067	5	1	COVER; REPLACEMENT TOP COVER ASSEMBLY
COV03165	6	1	COVER; PANEL, TOP ONLY
SPG00309	7	1	SPRING; DOOR RETAINER, INCLUDED IN COVER ASSEMBLY
RIV00071	8	1	RIVET; POP, QTY 100 PER BOX COMPLETE COVER ASSEMBLY WILL INCLUDE THIS
PNN05913	9	1	PANEL; BOTTOM
DOR00726	10	1	DOOR; BURNER
PLT04236	11	1	PLATE; AMERICAN STANDARD APPEARANCE NAMEPLATE, 6.50 X 1.11
DOR00948	12	1	DOOR; REPLACEMENT FURNACE DOOR ASSEMBLY, POLYSLATE GRAY, INCLUDES: GLS00164 AND CLP00884. DOOR ONLY IS: DOR02684
DOR02684	13	1	DOOR; FURNACE DOOR ONLY W/SIGHT GLASS HOLE. PAINT COLOR: POLYSLATE GRAY
CLP00884	14	1	CLIP; ACCESS PANEL
BRK02173	15	1	BRACKET; INNER BLOWER DOOR DISCONNECT SWITCH
BAF00856	16	2	BAFFLE;
ANG00625	19	2	ANGLE, FILTER RETAINER 15 X .31 GALVANIZED
BRK01574	20	3	BRACKET; CONNECTION, COIL ATTACHMENT, FOR AIR HANDLER CONNECT.
SUP02162	21	1	SUPPORT, FILTER
GRM00836	22	1	GROMMET; WIRE, 2.55 LENGTH X 1.69 WIDTH X .32 THICK
GRM00855	22	1	GROMMET; 1.75 WIDE X .18 THICK, MOLDED CHLOROPRENE, 80 DUROMETER
CNT03799	24	1	CONTROL; IFC W/COVER AND WIRE LEADS
TRR01816	25	1	TRANSFORMER;
SUP04110	26	2	SUPPORT; INNER DOOR
DOR02017	27	1	DOOR; INNER BLOWER
SWT01280	30	1	SWITCH; THERMAL LIMIT, OPEN AT 155, CLOSE AT 125 DEG. F
SHD00194	32	1	SHIELD; LIMIT
BOX01499	33	1	BOX; JUNCTION BOX
COV03320	34	1	COVER; JUNCTION BOX COVER
BUS00300	35	1	BUSHING; STRAIN RELIEF
IRT00020	36	3	INSERT; BURNER
SWT02293	37	1	SWITCH; PRESSURE, 1 POLE, N.O., 1/10 HP, 3 FLA, 18 LRA, 120 VAC, OPEN AT -0.45 TO -0.55 WC, CLOSE AT -0.65 (IS2)
HSE00334	38	1	HOSE; PRESSURE SWITCH

Induced Blower and Flue Assembly

75000675

REV  
A



This is a typical illustration. The unit in the field may not appear exactly as shown.

Parts List Number :TDE21#TDEUP21

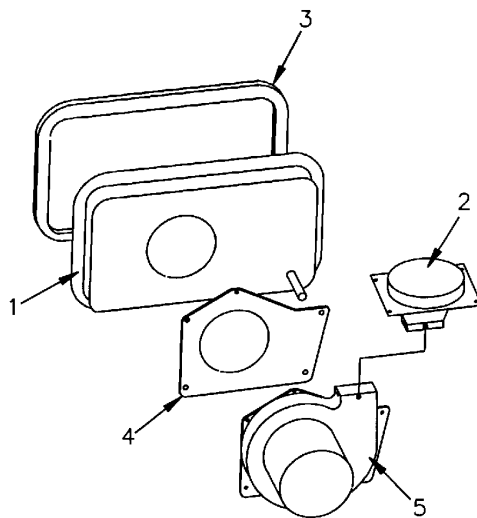
Model Number :ADE1B060A9361AA

Part No.	Reference No.	Quantity	Description
75000675_TDEUP21_209178~P	*		INDUCED BLOWER AND FLUE ASSEMBLY PARTS LIST

Induced Blower and Flue Assembly

75000675

REV  
A



This is a typical illustration. The unit in the field may not appear exactly as shown.

Parts List Number :TDE21#TDEUP21

Model Number :ADE1B060A9361AA

<b>Part No.</b>	<b>Reference No.</b>	<b>Quantity</b>	<b>Description</b>
FLU00141	1	1	FLUE; COLLECTOR ASM.
ADP00295	2	1	ADAPTER;FLUE TRANSITION ASSEMBLY
GKT02604	3	1	GASKET;COLLECTOR BOX
GKT03081	4	1	GASKET; VENTER ASSEMBLY
BLW00886	5	1	BLOWER; INDUCED, 1 STAGE



Part No.	Reference No.	Quantity	Description
75000676_TDEUP21_209179~P	*		BURNER ASSEMBLY PARTS LIST



<b>Part No.</b>	<b>Reference No.</b>	<b>Quantity</b>	<b>Description</b>
COV03389	1	1	COVER; BURNER, 9.10 LG
SUP02127	2	1	SUPPORT; BURNER-RIGHT HAND
VAL07732	3	1	VALVE; GAS VALVE, SLOW OPEN
ORF00644	4	3	ORIFICE;SPUD, #45 DRILL
MFD00525	5	1	MANIFOLD; ASSEMBLY FOR 3 BURNER
SUP03418	6	1	SUPPORT; IGNITOR
IGN00054	7	1	IGNITOR; HOT SURFACE, 120V AT 3.5 AMP
SEN01114	8	1	SENSOR; FLAME, NIKROTHAL 80 MATERIAL
BRK01527	9	1	BRACKET; BURNER
BNR01074	10	3	BURNER; ALUMINUM STL, .50 INSERT DIA, TOG-L-LOC
SWT02173	11	1	SWITCH; SWITCH-FLAME ROLLOUT
SUP02126	12	1	SUPPORT; BURNER-LEFT HAND
BRK01960	13	1	BRACKET; TOP



Part No.	Reference No.	Quantity	Description
75002424_TDEUP21_209180~P	*		BLOWER ASSEMBLY PARTS LIST



<b>Part No.</b>	<b>Reference No.</b>	<b>Quantity</b>	<b>Description</b>
BLW00923	1	1	BLOWER; REPLACEMENT BLOWER ASSEMBLY W/MOTOR
CPT00266	2	1	CAPACITOR; RUN, 5 MFD, 370V, OVAL, W/O RESISTOR
SRP00841	3	1	STRAP;
SWT01654	4	1	SWITCH; REVERSE FLOW, OPEN 115F, CLOSE 105F
HUS01623	5	1	HOUSING;BLOWER
MOT09053	6	1	MOTOR; 1/3 HP, 115/60/1, 1075 RPM, PSC, CCW, 48 FRAME, SLEEVE BEARINGS, FLA 5.8, LRA 12.5, 5 MFD AT 370V
RNG00957	7	2	RING; RESILIENT, 2.5 OD
BRK00690	8	1	BRACKET; ASSEMBLY, SHORT, 4.06 X 2.31, INCLUDES RING CUP
BRK00691	8	1	BRACKET; ASSEMBLY, LONG, 5.00 X 2.39, INCLUDES RING CUP
SUP03399	9	3	SUPPORT; HANGER
WHL02353	10	1	WHEEL; BLOWER, 48 BLADES, CW, CONCAVE DISC, 10 X 7

MODEL NUMBER DESCRIPTION		75008227	REV A
FURNACES			
T	U	D	1 A 0
1	2	3	4 5 6
8	0	A	9
3	6	1	A A
7	8	9	10 11 12 13 14 15
<p>Digit 1 Brand T = Trane A = American Standard C = STANDARD</p>		<p>Digit 9 Major Modification A = Major Design Change</p>	
<p>Digit 2 Configuration H = Horizontal U = Upflow or Upflow/Horizontal D = Downflow or Downflow/Horizontal M = Multiphase 4-Way</p>		<p>Digit 10 Voltage 9 = 115 Volts / Natural Gas F = 115 Volts / Natural Gas with Integrated Electronic Filter</p>	
<p>Digit 3 Product Family B = 80% Induced Draft Standard "Tradenames" E = 80% Induced Draft Standard D = 80% Induced Draft Premium C = 90% Condensing 1 Pipe X = 90% Direct Vent 1 or 2 Pipe</p>		<p>Digits 11 &amp; 12 Airflow-Blower Type 36 = 3 Ton Standard PSC Motor H3 = 3 Ton High Efficiency Motor V3 = 3 Ton Variable Speed Motor</p>	
<p>Digit 4 Heating Stages 1 = Single Stage 2 = Two Stage 3 = Three Stage V = Modulating</p>		<p>Digit 13 Draft Inducer Speed 1 = Single Speed 2 = Two speed V = Variable Speed</p>	
<p>Digit 5 Cabinet Width A = 14.5" Cabinet Width B = 17.5" Cabinet Width C = 21.0" Cabinet Width D = 24.5" Cabinet Width</p>		<p>Digit 14 Minor Modification A = Minor Design Change</p>	
<p>Digits 6,7,8 Capacity 080 = Heating Input MBTUH</p>		<p>Digit 15 Service Digit A = Service Digit</p>	

Part No.	Reference No.	Quantity	Description
75008227_TDEUP21_123142~P	*		MODEL NOMENCLATURE PARTS LIST

MODEL NUMBER DESCRIPTION		75008227	REV A
FURNACES			
T U D 1 A 0 8 0 A 9 3 6 1 A A 1 2 3 4 5 6 7 8 9 10 11 12 13 14 15			
<p><b>Digit 1</b> Brand T = Trane A = American Standard C = STANDARD</p> <p><b>Digit 2</b> Configuration H = Horizontal U = Upflow or Upflow/Horizontal D = Downflow or Downflow/Horizontal M = Multiphase 4-Way</p> <p><b>Digit 3</b> Product Family B = 80% Induced Draft Standard "Tradenames" E = 80% Induced Draft Standard D = 80% Induced Draft Premium C = 90% Condensing 1 Pipe X = 90% Direct Vent 1 or 2 Pipe</p> <p><b>Digit 4</b> Heating Stages 1 = Single Stage 2 = Two Stage 3 = Three Stage V = Modulating</p> <p><b>Digit 5</b> Cabinet Width A = 14.5" Cabinet Width B = 17.5" Cabinet Width C = 21.0" Cabinet Width D = 24.5" Cabinet Width</p> <p><b>Digits 6,7,8</b> Capacity 080 = Heating Input MBTUH</p>	<p><b>Digit 9</b> Major Modification A = Major Design Change</p> <p><b>Digit 10</b> Voltage 9 = 115 Volts / Natural Gas F = 115 Volts / Natural Gas with Integrated Electronic Filter</p> <p><b>Digits 11 &amp; 12</b> Airflow-Blower Type 36 = 3 Ton Standard PSC Motor H3 = 3 Ton High Efficiency Motor V3 = 3 Ton Variable Speed Motor</p> <p><b>Digit 13</b> Draft Inducer Speed 1 = Single Speed 2 = Two speed V = Variable Speed</p> <p><b>Digit 14</b> Minor Modification A = Minor Design Change</p> <p><b>Digit 15</b> Service Digit A = Service Digit</p>		

