

| <b>Part No.</b>          | <b>Reference No.</b> | <b>Quantity</b> | <b>Description</b>             |
|--------------------------|----------------------|-----------------|--------------------------------|
| 75000677#FURUP208~S      | *                    |                 | BLOWER ASSEMBLY                |
| 75000676#FURUP208~S      | *                    |                 | BURNER ASSEMBLY                |
| FUR208_FURUP208_149022~P | *                    |                 | FURUP208 PARTS LIST            |
| 75004163#FURUP208~S      | *                    |                 | GENERAL ASSEMBLY               |
| 75007576#FURUP208~S      | *                    |                 | INDUCED BLOWER & FLUE ASSEMBLY |
| 75008227#FURUP208~S      | *                    |                 | MODEL NUMBER NOMENCLATURE      |
| OPTIONS#FURUP208~S       | *                    |                 | OPTIONAL ACCESSORIES           |

NO GRAPHIC AVAILABLE

75013702

REV  
A

**NO  
GRAPHIC  
AVAILABLE**



| Part No.                   | Reference No. | Quantity | Description                 |
|----------------------------|---------------|----------|-----------------------------|
| 75004163_FURUP208_343918~P | *             |          | GENERAL ASSEMBLY PARTS LIST |



| Part No. | Reference No. | Quantity | Description  |
|----------|---------------|----------|--|
| BRK01968 | *             | 2        | BRACKET; HEAT EXCHANGER SUPPORT  |
| BRK02173 | *             | 1        | BRACKET; INNER BLOWER DOOR DISCONNECT SWITCH   |
| GLS00164 | *             | 1        | PLUG; 0.75 MTG HOLE SNAP-IN  |
| PAI00074 | *             | 1        | PAINT; SPRAY, SLATE GREY, FULL GLOSS(88) (SHIPPING UOM 12 OZ HAZ)  |
| PLT03685 | *             | 1        | PLATE; DOOR MOUNTING, DOWNFLOW, 21.00 CABINET SIZE   |
| SCR00968 | *             | 6        | SCREW; 10-16 HEX WASHER, TYPE B, THREAD FORMING SCREW, 0.31 THREAD LENGTH, STEEL W/ZINC FINISH                   |
| SWT01714 | *             | 1        | SWITCH; DOOR SPST, 21 AMP, 125/250VAC  |
| TIE00026 | *             | 1        | TIE; CABLE, 8-1/2IN.   |
| TUB08301 | *             | 1        | TUBE; PRESSURE SWITCH, STAINLESS STEEL, .025 O.D. .035 WALL THK.   |
| WIR02360 | *             | 1        | WIRE; REPL-WIRING HARNESS ASSEMBLY W/12 PIN MALE CONNECTOR   |
| WIR02705 | *             | 1        | WIRE; REPLACEMENT IGNITOR AND INDUCER WIRE HARNESS (4 PIN 1 STAGE HARNESS)                                       |
| CBT01425 | 1             | 1        | CABINET; REPLACEMENT WRAPPER ASSEMBLY  |
| EXC01014 | 2             | 1        | EXCHANGER; HEAT  |
| COV03068 | 5             | 1        | COVER; REPLACEMENT TOP COVER ASSEMBLY  |
| COV03166 | 6             | 2        | COVER; PANEL, TOP ONLY   |
| SPG00309 | 7             | 1        | SPRING; DOOR RETAINER, INCLUDED IN COVER ASSEMBLY  |
| RIV00071 | 8             | 5        | RIVET; POP, QTY 100 PER BOX COMPLETE COVER ASSEMBLY WILL INCLUDE THIS  |
| CNL01070 | 9             | 1        | CHANNEL; BOTTOM  |
| DOR02649 | 10            | 1        | DOOR; BURNER ONLY  |
| PLT03566 | 11            | 1        | PLATE; NAMEPLATE ASSEMBLY - AMERICAN STANDARD  |
| DOR02625 | 12            | 1        | DOOR; REPLACEMENT BLOWER DOOR ASSEMBLY   |
| DOR02801 | 13            | 1        | DOOR; BLOWER DOOR  |
| BRK02826 | 15            | 1        | BRACKET; BLOWER DOOR SWITCH  |
| BAF00899 | 17            | 1        | BAFFLE; HEAT EXCHANGER   |
| ANG00625 | 19            | 2        | ANGLE, FILTER RETAINER 15 X .31 GALVANIZED   |
| BRK01574 | 20            | 3        | BRACKET; CONNECTION, COIL ATTACHMENT, FOR AIR HANDLER CONNECT.   |
| SUP02162 | 21            | 1        | SUPPORT, FILTER  |
| GRM00836 | 22            | 1        | GROMMET; WIRE, 2.55 LENGTH X 1.69 WIDTH X .32 THICK  |
| GRM00855 | 22            | 1        | GROMMET; 1.75 WIDE X .18 THICK, MOLDED CHLOROPRENE, 80 DUROMETER   |
| CNT03798 | 24            | 1        | CONTROL; IFC, 1-STAGE, SINi  |
| TRR01816 | 25            | 1        | TRANSFORMER;   |
| SUP04110 | 26            | 2        | SUPPORT; INNER DOOR  |
| DOR02018 | 27            | 1        | DOOR; INNER BLOWER   |
| SWT01935 | 30            | 1        | SWITCH; HIGH TEMPERATURE LIMIT, OPEN 120 DEG F, CLOSED 90 DEG F  |
| BOX01499 | 33            | 1        | BOX; JUNCTION BOX  |
| COV03320 | 34            | 1        | COVER; JUNCTION BOX COVER  |
| BUS00300 | 35            | 1        | BUSHING; STRAIN RELIEF   |
| IRT00020 | 36            | 5        | INSERT; BURNER   |
| SWT02293 | 37            | 1        | SWITCH; PRESSURE, 1 POLE, N.O., 1/10 HP, 3 FLA, 18 LRA, 120 VAC, OPEN AT -0.45 TO -0.55 WC, CLOSE AT -0.65 (IS2) |
| HSE00334 | 38            | 1        | HOSE; PRESSURE SWITCH  |

Induced Blower and Flue Assembly

75007576

REV  
A



This is a typical illustration. The unit in the field may not appear exactly as shown.

Parts List Number :FUR208#FURUP208

Model Number :ADD1C100A9481BA

| Part No.                   | Reference No. | Quantity | Description                               |
|----------------------------|---------------|----------|---|
| 75007576_FURUP208_316152~P | *             |          | INDUCED BLOWER & FLUE ASSEMBLY PARTS LIST |

Induced Blower and Flue Assembly

75007576

REV  
A



This is a typical illustration. The unit in the field may not appear exactly as shown.

## INDUCED BLOWER &amp; FLUE ASSEMBLY PARTS LIST

Parts List Number :FUR208#FURUP208

Model Number :ADD1C100A9481BA

| <b>Part No.</b> | <b>Reference No.</b> | <b>Quantity</b> | <b>Description</b>               |
|-----------------|----------------------|-----------------|----------------------------------|
| BLW00869        | 1                    | 1               | BLOWER; INDUCER, 1-STAGE         |
| ADP00295        | 2                    | 1               | ADAPTER;FLUE TRANSITION ASSEMBLY |
| GKT02605        | 3                    | 1               | GASKET;COLLECTOR BOX             |
| GKT03081        | 4                    | 1               | GASKET; VENTER ASSEMBLY          |



| Part No.                   | Reference No. | Quantity | Description                |
|----------------------------|---------------|----------|----------------------------|
| 75000676_FURUP208_156086~P | *             |          | BURNER ASSEMBLY PARTS LIST |



| Part No. | Reference No. | Quantity | Description   |
|----------|---------------|----------|---|
| COV03463 | 1             | 1        | COVER; BURNER, 15.10 LG   |
| SUP02127 | 2             | 1        | SUPPORT; BURNER-RIGHT HAND  |
| VAL09029 | 3             | 1        | VALVE; GAS, SLOW OPENING 1/2-14 NPT, 24V, 50/60 HZ, "J" SERIES                                |
| ORF00644 | 4             | 5        | ORIFICE;SPUD, #45 DRILL   |
| MFD00527 | 5             | 1        | MANIFOLD; PIPE ASSEMBLY, 5 BURNER   |
| IGN00117 | 6             | 1        | IGNITOR; INCLUDES SiNi (A341947P01), BRACKET (A341948P02) AND INSTALLER'S GUIDE (X341955P01). |
| BRK03336 | 7             | 1        | BRACKET; SiNi IGNITOR BRACKET   |
| SEN01114 | 8             | 1        | SENSOR; FLAME, NIKROTHAL 80 MATERIAL  |
| BRK01529 | 9             | 1        | BRACKET; BURNER   |
| BNR01074 | 10            | 5        | BURNER; ALUMINUM STL, .50 INSERT DIA, TOG-L-LOC   |
| SWT02173 | 11            | 2        | SWITCH; SWITCH-FLAME ROLLOUT  |
| SUP02126 | 12            | 1        | SUPPORT; BURNER-LEFT HAND   |
| BRK01962 | 13            | 1        | BRACKET; TOP  |

Blower Assembly

75000677

REV  
A



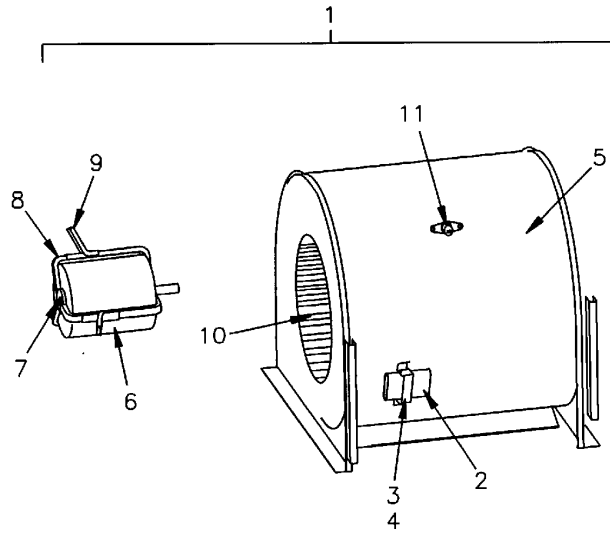
This is a typical illustration. The unit in the field may not appear exactly as shown.

| Part No.                   | Reference No. | Quantity | Description                |
|----------------------------|---------------|----------|----------------------------|
| 75000677_FURUP208_316150~P | *             |          | BLOWER ASSEMBLY PARTS LIST |

Blower Assembly

75000677

REV  
A



This is a typical illustration. The unit in the field may not appear exactly as shown.

| Part No. | Reference No. | Quantity | Description   |
|----------|---------------|----------|---|
| BLW00528 | 1             | 1        | BLOWER; REPLACEMENT ASM. W/MOTOR  |
| CPT00088 | 2             | 1        | CAPACITOR; RUN, 10 MFD, 440V OVAL, W/O RESISTOR   |
| SRP00841 | 3             | 1        | STRAP;  |
| HUS01623 | 5             | 1        | HOUSING;BLOWER  |
| MOT16952 | 6             | 1        | MOTOR; 1/2 HP, 115/60/1, 1075 RPM, 4SPEED, TYPE PSC, 48 FRAME, CCW, SLEEVE BEARING, 10 MFD AT 370V, RESILIENT RING RNG00957 (QTY. 2) NOT INCLUDED |
| BRK00690 | 8             | 1        | BRACKET; ASSEMBLY, SHORT, 4.06 X 2.31, INCLUDES RING CUP  |
| BRK00691 | 8             | 1        | BRACKET; ASSEMBLY, LONG, 5.00 X 2.39, INCLUDES RING CUP   |
| SUP03399 | 9             | 3        | SUPPORT; HANGER   |
| WHL02923 | 10            | 1        | WHEEL; BLOWER, 10.6 IN DIA, 8 IN WIDTH, 0.50 IN BORE, CW  |
| SWT01656 | 11            | 1        | SWITCH; REVERSE FLOW, OPEN 130F, CLOSE 120F   |

| MODEL NUMBER DESCRIPTION  |   | 75008227 | REV<br>A |
|---|---|----------|----------|
| FURNACES  |   |          |          |
| T U D 1 A 0 8 0 A 9 3 6 1 A A<br>1 2 3 4 5 6 7 8 9 10 11 12 13 14 15  |   |          |          |
| <p>Digit 1<br/>Brand<br/>T = Trane<br/>A = American Standard<br/>C = STANDARD</p> <p>Digit 2<br/>Configuration<br/>H = Horizontal<br/>U = Upflow or Upflow/Horizontal<br/>D = Downflow or Downflow/Horizontal<br/>M = Multiphase 4-Way</p> <p>Digit 3<br/>Product Family<br/>B = 80% Induced Draft Standard<br/>"Tradenames"<br/>E = 80% Induced Draft Standard<br/>D = 80% Induced Draft Premium<br/>C = 90% Condensing 1 Pipe<br/>X = 90% Direct Vent 1 or 2 Pipe</p> <p>Digit 4<br/>Heating Stages<br/>1 = Single Stage<br/>2 = Two Stage<br/>3 = Three Stage<br/>V = Modulating</p> <p>Digit 5<br/>Cabinet Width<br/>A = 14.5" Cabinet Width<br/>B = 17.5" Cabinet Width<br/>C = 21.0" Cabinet Width<br/>D = 24.5" Cabinet Width</p> <p>Digits 6,7,8<br/>Capacity<br/>080 = Heating Input MBTUH</p> | <p>Digit 9<br/>Major Modification<br/>A = Major Design Change</p> <p>Digit 10<br/>Voltage<br/>9 = 115 Volts / Natural Gas<br/>F = 115 Volts / Natural Gas with Integrated Electronic Filter</p> <p>Digits 11 &amp; 12<br/>Airflow-Blower Type<br/>36 = 3 Ton Standard PSC Motor<br/>H3 = 3 Ton High Efficiency Motor<br/>V3 = 3 Ton Variable Speed Motor</p> <p>Digit 13<br/>Draft Inducer Speed<br/>1 = Single Speed<br/>2 = Two speed<br/>V = Variable Speed</p> <p>Digit 14<br/>Minor Modification<br/>A = Minor Design Change</p> <p>Digit 15<br/>Service Digit<br/>A = Service Digit</p> |          |          |

| Part No.                   | Reference No. | Quantity | Description                          |
|----------------------------|---------------|----------|--------------------------------------|
| 75008227_FURUP208_149034~P | *             |          | MODEL NUMBER NOMENCLATURE PARTS LIST |

| MODEL NUMBER DESCRIPTION  |   | 75008227 | REV<br>A |
|---|---|----------|----------|
| FURNACES  |   |          |          |
| T U D 1 A 0 8 0 A 9 3 6 1 A A<br>1 2 3 4 5 6 7 8 9 10 11 12 13 14 15  |   |          |          |
| <p><b>Digit 1</b><br/>Brand<br/>T = Trane<br/>A = American Standard<br/>C = STANDARD</p> <p><b>Digit 2</b><br/>Configuration<br/>H = Horizontal<br/>U = Upflow or Upflow/Horizontal<br/>D = Downflow or Downflow/Horizontal<br/>M = Multiphase 4-Way</p> <p><b>Digit 3</b><br/>Product Family<br/>B = 80% Induced Draft Standard<br/>"Tradenames"<br/>E = 80% Induced Draft Standard<br/>D = 80% Induced Draft Premium<br/>C = 90% Condensing 1 Pipe<br/>X = 90% Direct Vent 1 or 2 Pipe</p> <p><b>Digit 4</b><br/>Heating Stages<br/>1 = Single Stage<br/>2 = Two Stage<br/>3 = Three Stage<br/>V = Modulating</p> <p><b>Digit 5</b><br/>Cabinet Width<br/>A = 14.5" Cabinet Width<br/>B = 17.5" Cabinet Width<br/>C = 21.0" Cabinet Width<br/>D = 24.5" Cabinet Width</p> <p><b>Digits 6,7,8</b><br/>Capacity<br/>080 = Heating Input MBTUH</p> | <p><b>Digit 9</b><br/>Major Modification<br/>A = Major Design Change</p> <p><b>Digit 10</b><br/>Voltage<br/>9 = 115 Volts / Natural Gas<br/>F = 115 Volts / Natural Gas with Integrated Electronic Filter</p> <p><b>Digits 11 &amp; 12</b><br/>Airflow-Blower Type<br/>36 = 3 Ton Standard PSC Motor<br/>H3 = 3 Ton High Efficiency Motor<br/>V3 = 3 Ton Variable Speed Motor</p> <p><b>Digit 13</b><br/>Draft Inducer Speed<br/>1 = Single Speed<br/>2 = Two speed<br/>V = Variable Speed</p> <p><b>Digit 14</b><br/>Minor Modification<br/>A = Minor Design Change</p> <p><b>Digit 15</b><br/>Service Digit<br/>A = Service Digit</p> |          |          |

OPTIONAL ACCESSORIES

Parts List Number :FUR208#FURUP208

Model Number :ADD1C100A9481BA

| Part No.                  | Reference No. | Quantity | Description                     |
|---------------------------|---------------|----------|---------------------------------|
| OPTIONS_FURUP208_149035-P | *             |          | OPTIONAL ACCESSORIES PARTS LIST |

NO GRAPHIC AVAILABLE

75013702

REV  
A

**NO  
GRAPHIC  
AVAILABLE**

| Part No. | Reference No. | Quantity | Description   |
|----------|---------------|----------|---|
| FLR01585 | *             | 1        | FILTER, ACCESS DOOR KIT ASM (BAYFLTR206)  |
| FLR01586 | *             | 1        | FILTER; FRAMED FILTER KIT ASSY (BAYFLTR324) FOR REPLACEMENT FILTER ONLY USE FLR1488   |
| FLR01587 | *             | 1        | FILTER; FRAMED FILTER KIT ASSY (BAYFLTR321) FOR REPLACEMENT FILTER ONLY USE FLR1487   |
| FLR01588 | *             | 1        | FILTER; FRAMED FILTER KIT ASSY (BAYFLTR317) FOR REPLACEMENT FILTER ONLY USE FLR01486  |
| FLR01603 | *             | 1        | FILTER; FRAMED FILTER KIT ASSY (BAYFLTR203) FOR REPLACEMENT FILTER ONLY USE FLR01611  |
| FLR01604 | *             | 1        | FILTER; FRAMED FILTER KIT ASSY (BAYFLTR204)   |
| FLR01605 | *             | 1        | FILTER; FRAMED FILTER KIT ASSY (BAYFLTR205) FOR FILTER REPLACEMENT ONLY USE FLR01613  |
| FLR05570 | *             | 1        | FILTER; FRAME ASSEMBLY (BAYFLTR200)   |
| KIT02503 | *             | 1        | KIT-HEAT PUMP ASSY (TAYPLUS103A)  |
| KIT07315 | *             | 1        | KIT; MASONRY CHIMNEY  |
| KIT07475 | *             | 1        | KIT; KIT, FILTER RACK (BAYRACK960A)   |
| KIT07484 | *             | 1        | KIT; PRESSURE SWITCH HIGH ALTITUDE KIT, FOR SWITCH ONLY SWT02848 (BAYHALT248)         |
| KIT07613 | *             | 1        | KIT; PROPANE CONVERSION (INCLUDES 'G' VALVE INSTRUCTIONS, BAYLPKT210B)                |
| KIT07831 | *             | 1        | KIT; OUTDOOR THERMOSTAT (TAYSTAT250B)   |
| KIT09199 | *             | 1        | KIT; LP KIT W/STAINLESS STEEL BURNERS ('G' VALVE INSTRUCTIONS INCLUDED) (BAYLPSS210B) |