

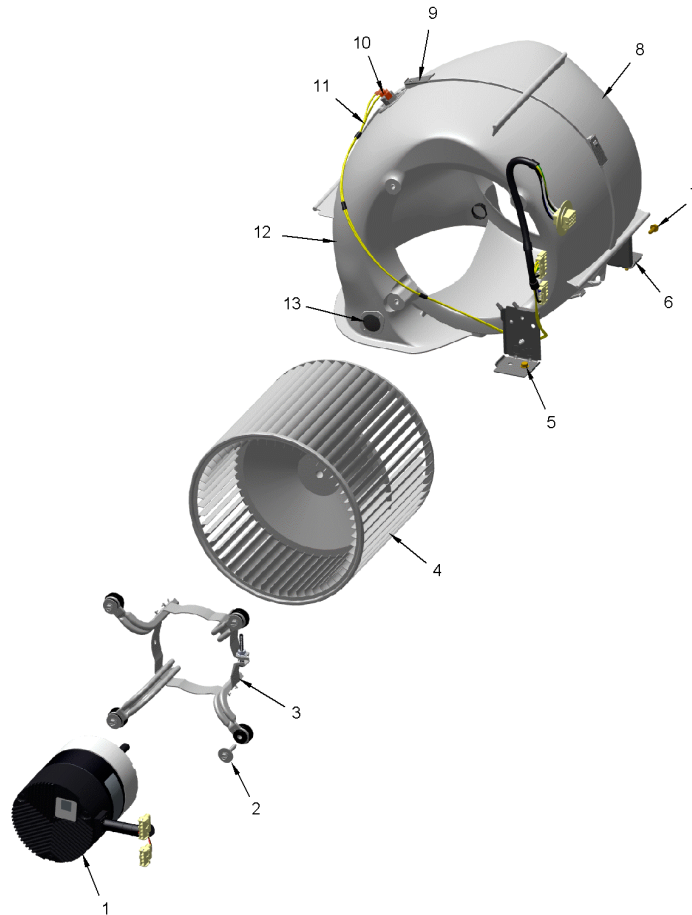
<b>Part No.</b>	<b>Reference No.</b>	<b>Quantity</b>	<b>Description</b>
0000098218~S	*		BLOWER
0000098219~S	*		BURNER
0000098221~S	*		CONTROLS
0000098225~S	*		FRONT DOOR PANEL
0000098217~S	*		GENERAL ASSEMBLY
0000098226~S	*		HEAT EXCHANGER
0000098230~S	*		INDUCER & VENTING
0000098228~S	*		MODEL NUMBER DESCRIPTION

Part No.	Reference No.	Quantity	Description
0000032650~P	*		BLOWER ASSEMBLY PARTS LIST

BLOWER

75011136

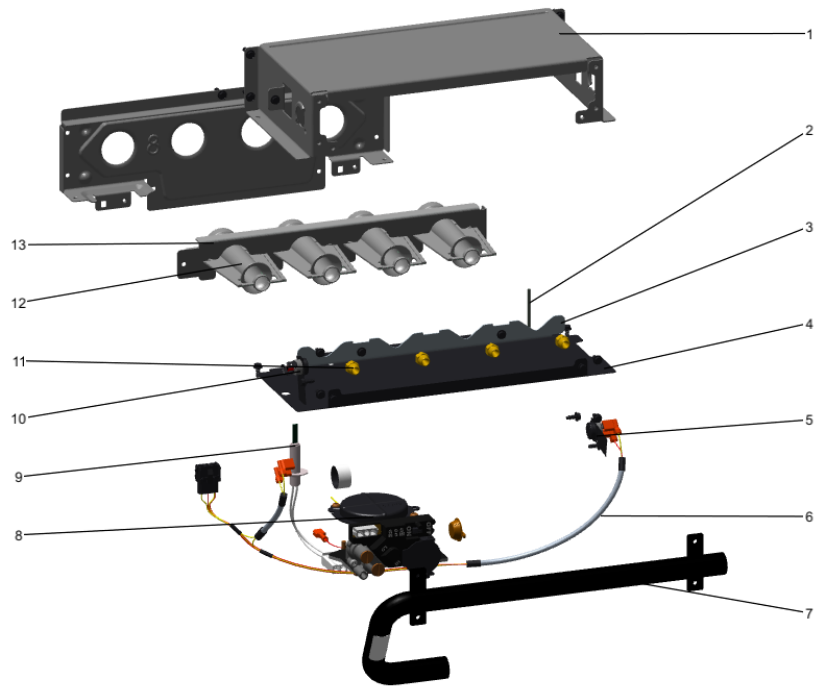
RP  
A



This is a typical illustration. The unit in the field may not appear exactly as shown.

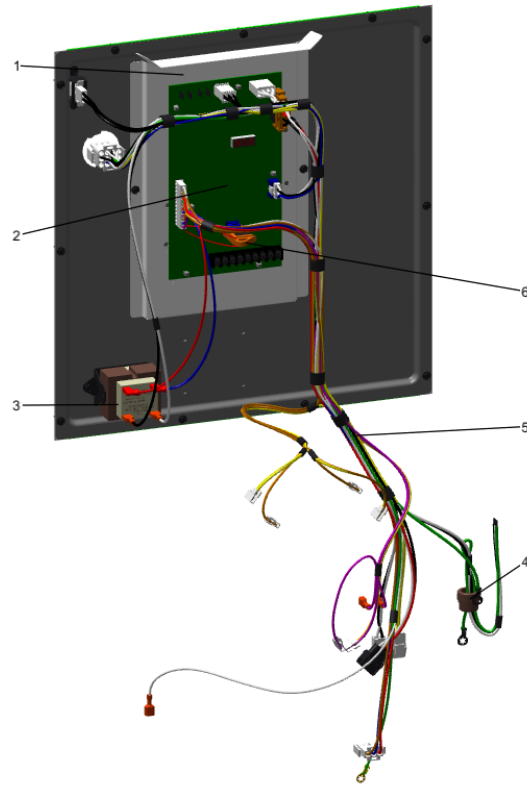
Part No.	Reference No.	Quantity	Description
BND00932	*	1	BAND; MOTOR MOUNT, 17.62 LENGTH
BRK04573	*	2	BRACKET; BLOWER DECK MOUNT, 3.78 X 2.51 X 2.19
MOT20547	1	1	MOTOR; EON VS MOTOR - 7 COEFFICIENT 1HP
BND00917	3	6	BAND; BELLY BAND ASSEMBLY, INCLUDES BAND, MOTOR LEGS, MOUNTING HARDWARE
BLT01015	3b	1	BOLT; BELLY BAND, 1/4-20 UNC-2B, 3/8 HEX WASHER HEAD
WHL03316	4	1	WHEEL; BLOWER, 11.93 OD DIA, 10.68 WIDTH, 0.50 IN BORE, CW
SCR02112	5	4	SCREW; ASSEMBLY-MOTOR MOUNT
BND00934	6	1	BAND; BELLY BAND ASSEMBLY, INCLUDES BAND, MOTOR LEGS, MOUNTING HARDWARE
SCR01011	7	3	SCREW; 1/4-20 C HXW 5/8 S N
HUS04195	8	1	HOUSING; BLOWER, MOLDED HALF, LEFT SIDE, 18.24 X 15.37 X 8.79
CLP01123	9	4	CLIP; CLEAT-BLOWER
SWT01649	10	1	SWITCH; REVERSE AIRFLOW, OPEN 105F, CLOSE 95F, 120/240V, 1/4QC TERM
WIR08826	11	1	WIRE; HARNESS, 12-PIN-ECM MOTOR (BLU,WHT,BLK,GRN,YEL WIRES)
HUS04194	12	1	HOUSING; BLOWER, MOLDED HALF, RIGHT SIDE, 18.24 X 15.37 X 8.92

Part No.	Reference No.	Quantity	Description
0000036827~P	*		BURNER PARTS LIST



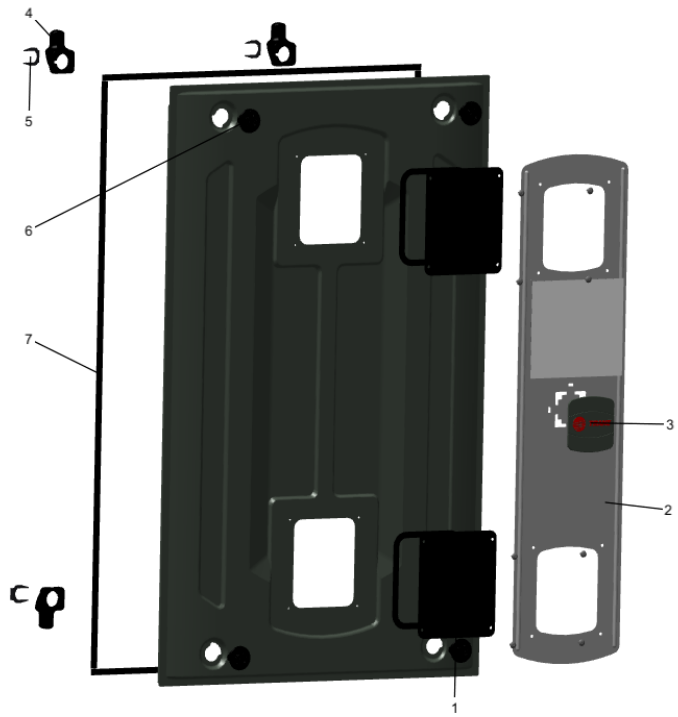
Part No.	Reference No.	Quantity	Description
BRK04580	*	1	BRACKET; IGNITER, 2.063 X 0.875 X 0.456
BRK04581	*	1	BRACKET; FLAME SENSOR, 2.063 X 0.875 X 0.456
PIP02095	*	1	PIPE; U-BEND, STEEL, 1/2-14 NPT, 3.42 X 2.00
BOX02755	1	1	BOX; BURNER, 5.74 X 18.08 X 2.63
SEN02662	2	1	SENSOR; FLAME FOR NATURAL GAS AND LP, KANTHAL D
CMP01469	3	1	CLAMP; BURNER-6
PLT05662	4	1	PLATE; 6 BURNER, 18.08 X 5.61
SWT03968	5	1	SWITCH; FLAME ROLLOUT, 190F OPEN, 5.8 FLA, 34.8 LRA AT 120 VAC, 24 VAC, MAN RESET 100F, AUTO RESET -31F, FIXED TEMP THERMOSTAT AND NON-ADJ
WIR09934	6	1	WIRE; HARNESS-BURN-5-6
MFD01446	7	1	MANIFOLD; 6
VAL09030	8	1	VALVE; GAS, NON DIRECT VENT 2 STAGE, 1/2-14 NPT, 24V, 50/60 HZ, "J" SERIES
IGN00152	9	1	MIN=12/12 IGNITER; SILICON-NITRIDE, 120V, INCLUDES BRACKET AND SCREWS
SWT03967	10	1	SWITCH; FLAME ROLLOUT, 190F OPEN, 5.8 FLA, 34.8 LRA AT 120 VAC, 24 VAC, MAN RESET 100F, AUTO RESET -31F, FIXED TEMP THERMOSTAT AND NON-ADJ
ORF01427	11	6	ORIFICE; SPUD, DRILL #45, BRASS
BNR01233	12	6	BURNER; 0.50 ID INSHOT BURNER, NATURAL GAS, STAINLESS STEEL, 2.75 X 4.50
HLD00629	13	1	HOLDER; 6 BURNER, 17.625 X 1.531

Part No.	Reference No.	Quantity	Description
0000036834~P	*		CONTROLS PARTS LIST



<b>Part No.</b>	<b>Reference No.</b>	<b>Quantity</b>	<b>Description</b>
GKT05000	*	4	GASKET; VESTIBULE GASKETS, ONE SIZE FITS ALL - TRIM TO FIT
TRR02737	*	1	TRANSFORMER; CHOKE LINE, 12 AMPS RMS AC, 600V
SHD00602	1	1	SHIELD; BRACKET-IFC, SHEET METAL, 5.91 X 9.03
CNT07721	2	1	CONTROL; W/ IFC, 2 STAGE FURNACE CONTROL
TRR02736	3	1	TRANSFORMER; 115V-24V, 35VA, 60 HZ, CLASS 2
BUS00300	4	1	BUSHING; STRAIN RELIEF
WIR09916	5	1	WIRE; HARNESS, POWER & CONTROLS
MOD01574	6	1	MODULE; TO ORDER-SEE EXT NOTE

Part No.	Reference No.	Quantity	Description
000044049~P	*		FRONT DOOR ASSEMBLY



<b>Part No.</b>	<b>Reference No.</b>	<b>Quantity</b>	<b>Description</b>
DOR04566	*	1	DOOR; ASSEMBLY
GKT04783	7	3	GASKET; DOOR GASKETS, TOP/BOTTOM X 2, SIDES X 2, ONE SIZE FITS ALL - TRIM TO FIT

Part No.	Reference No.	Quantity	Description
000004401~P	*		GENERAL ASSEMBLY GRAPHIC

FURNACE  
Ameristar / RunTru

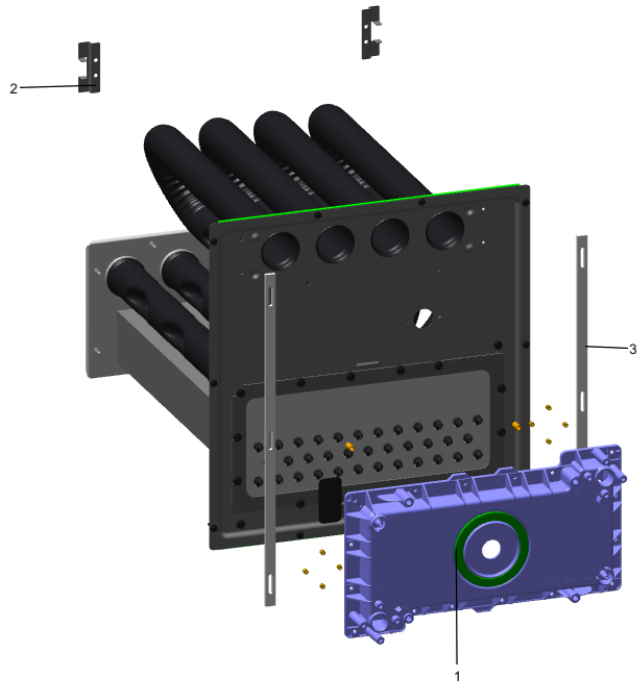
75013684

REV  
B



This is a typical illustration. The unit in the field may not appear exactly as shown.

Part No.	Reference No.	Quantity	Description
0000044070~P	*		HEAT EXCHANGER PARTS LIST



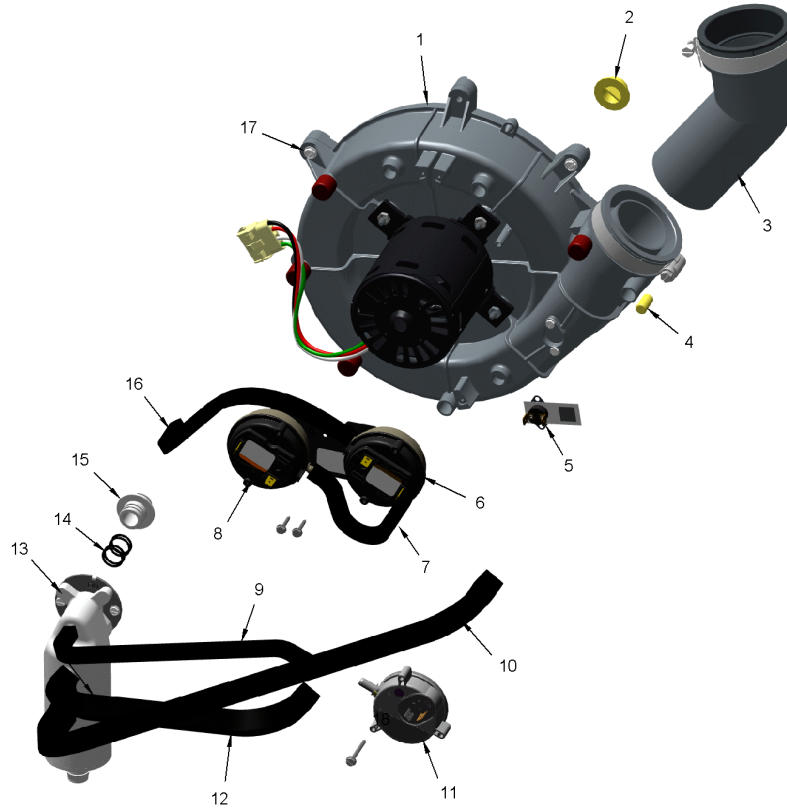
<b>Part No.</b>	<b>Reference No.</b>	<b>Quantity</b>	<b>Description</b>
EXC02927	*	1	EXCHANGER; HX-ASM-D120
SWT03938		1	SWITCH; LIMIT, OPEN AT 135F, CLOSE AT 105F
GKT04780	1	1	GASKET; BLOWER INDUCER, GREEN SILICONE, 3.70 OD X 2.90 ID
BRK04574	2	2	BRACKET; HX HOT HEADER SUPPORT, 2.50 X 1.00
GKT05000	3	4	GASKET; VESTIBULE GASKETS, ONE SIZE FITS ALL - TRIM TO FIT

Part No.	Reference No.	Quantity	Description
0000044078~P	*		INDUCER VENTING PARTS LIST

INDUCER & VENTING

75012560

RP  
A



This is a typical illustration. The unit in the field may not appear exactly as shown.

Part No.	Reference No.	Quantity	Description
SWT03924	*	0	SWITCH; PRESSURE, SPDT, 28VA PILOT DUTY AT 24 VAC, 125VA PILOT DUTY AT 120VAC, SNAP ACTING CONTACTS, OPR TEMP RANGE: -40 TO 190F, 0.20 DEG W.C.
SWT03970	*	0	SWITCH; PRESSURE, SPST, 28VA PILOT DUTY AT 24 VAC, 125VA PILOT DUTY AT 125VAC, SNAP ACTING CONTACTS, OPR TEMP RANGE: -40 TO 190F, 0.90 DEG W.C.
BLW01401	1	1	BLOWER; INDUCER, 2 STAGE, 115V, 60 HZ, 3300/2345 RPM, 5 MFD CPT AT 370 VAC, INCLUDES GASKET & SCREWS
PLU01271	2	1	PLUG; CONDENSATE, 0.77 OD X 0.50 ID
ELL01526	3	1	ELBOW; BLACK, WITH BOOT AND CLAMP
CAP01301	4	1	CAP; PRESSURE, BLACK VINYL, 0.25 ID X 0.625 L
SWT03927	5	1	SWITCH; BLOWER INDUCER LIMIT SWITCH, 155F OPEN, 95F CLOSE
HSE01885	7	1	HOSE; PRESSURE, 0.225 ID X 7.0 L, PS1
HSE01883	9	1	HOSE; PRESSURE SWITCH, BLACK EPDM RUBBER, 0.225 ID X 19.50 L
HSE01888	10	1	HOSE; BLOWER INDUCER, CONDENSATE, BLACK EPDM, 18.50 L, 0.475 ID
SWT03926	11	1	SWITCH; CONDENSATE, POS PRESSURE, SPST, 28VA PILOT DUTY AT 24 VAC, 125VA PILOT DUTY AT 125VAC, SNAP ACTING CONTACTS, OPERATING TEMP RANGE: -40 TO 185F
HSE01891	12	1	HOSE; CONDENSATE, BLACK EPDM, 11.50 L, 0.475 ID
SEP00285	13	1	SEPARATOR; ASSEMBLY-DOWNFLOW, INCLUDES TRAP, ADAPTERS, O-RINGS AND SCREWS
RNG02446	14	4	RING; O-RING, 0.55 ID, EPDM RUBBER
ADP01426	15	1	ADAPTER; PVC PLASTIC, 0.718 ID, 1.20 ID
HSE01884	16	1	HOSE; HIGH PRESSURE, BLACK EPDM RUBBER, 0.225 ID X 12.00 L
SCR02472	17	3	SCREW; 10-32 MACHINE SCREW, 5/16 SLOTTED HEX WASHER

Part No.	Reference No.	Quantity	Description
000008617~P	*		MODEL NUMBER GRAPHIC

MODEL NUMBER DESCRIPTION

75013683

REV  
B

FURNACE - Ameristar / RunTru

*Example Model Number:*

**A 9 5 2 V 0 8 0 B D 4 S A A A**  
1 - - - 5 - - - 10 - - - 15

**Digit 1 – Brand Name**

A = Ameristar / RunTru

**Digits 2 & 3 – Model Family (Nominal Efficiency)**

80 = 80% Non-Condensing

90 = 90% Condensing

95 = 95% Condensing

**Digit 4 – Gas Valve Stages**

1 = 1 Stage Gas Valve

2 = 2 Stage Gas Valve

M = Modulating Gas Valve

**Digit 5 – Blower Type**

P = PSC Motor

X = X13 Constant Torque Motor

V = Variable Speed Motor

**Digits 6,7,8 – BTU input (Nominal Heating Capacity)**

BTUH/HOUR X 1000

**Digit 9 – Cabinet Width**

A = 14.0 wide

B = 17.5 wide

C = 21.0 wide

D = 24.5 wide

**Digit 10 – Orientation**

U = Upflow / Horizontal Right

D = Downflow / Horizontal Left

**Digits 11 & 12 – Nominal Cooling Airflow**

BTUH/HOUR X 1000

**Digit 13 – Major Development Sequence**

**Digit 14 & 15– Minor Design Sequence / Series - Design Change**

