

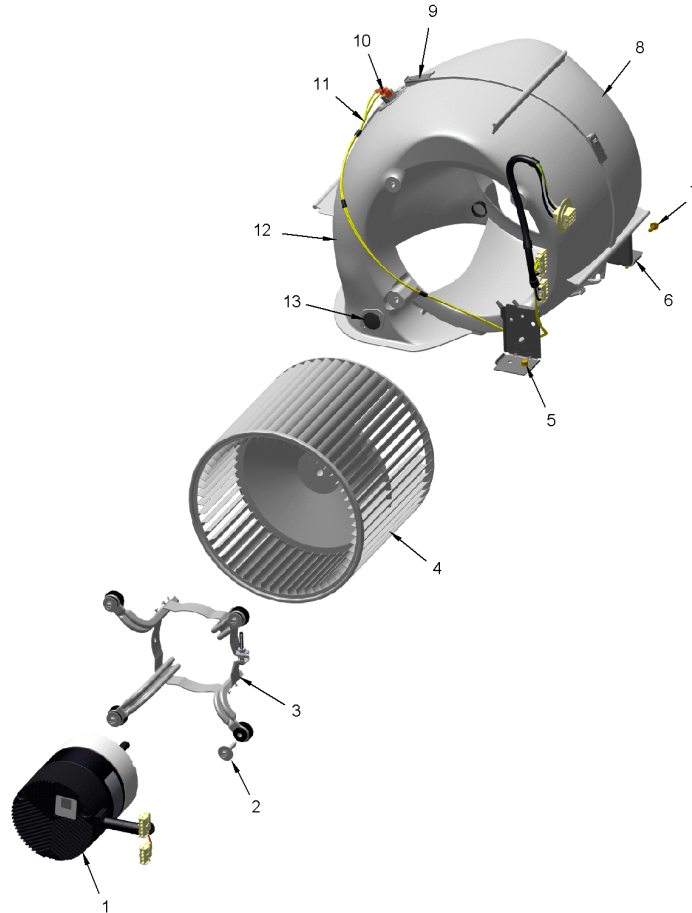
Part No.	Reference No.	Quantity	Description
0000098218~S	*		BLOWER
0000098219~S	*		BURNER
0000098221~S	*		CONTROLS
0000098225~S	*		FRONT DOOR PANEL
0000098217~S	*		GENERAL ASSEMBLY
0000098226~S	*		HEAT EXCHANGER
0000098230~S	*		INDUCER & VENTING
0000098228~S	*		MODEL NUMBER DESCRIPTION

Part No.	Reference No.	Quantity	Description
0000032648~P	*		BLOWER ASSEMBLY PARTS LIST

BLOWER

75011136

RP
A



This is a typical illustration. The unit in the field may not appear exactly as shown.

Part No.	Reference No.	Quantity	Description
BND00932	*	1	BAND; MOTOR MOUNT, 17.62 LENGTH
BRK04572	*	2	BRACKET; BLOWER DECK MOUNT, 3.65 X 2.51 X 1.84
MOT20545	1	1	MOTOR; EON VS MOTOR - 7 COEFFICIENT 1/2HP
BND00917	3a	6	BAND; BELLY BAND ASSEMBLY, INCLUDES BAND, MOTOR LEGS, MOUNTING HARDWARE
BLT01015	3b	1	BOLT; BELLY BAND, 1/4-20 UNC-2B, 3/8 HEX WASHER HEAD
WHL02916	4	1	WHEEL; BLOWER, 11 IN DIA, 8 IN WIDTH, 0.50 IN BORE, CW
SCR02112	5	4	SCREW; ASSEMBLY-MOTOR MOUNT
BND00934	6	1	BAND; BELLY BAND ASSEMBLY, INCLUDES BAND, MOTOR LEGS, MOUNTING HARDWARE
SCR01011	7	3	SCREW; 1/4-20 C HXW 5/8 S N
HUS04193	8	1	HOUSING; BLOWER, MOLDED HALF, LEFT SIDE, 18.00 X 15.28 X 6.79
CLP01123	9	4	CLIP; CLEAT-BLOWER
SWT01649	10	1	SWITCH; REVERSE AIRFLOW, OPEN 105F, CLOSE 95F, 120/240V, 1/4QC TERM
WIR08825	11	1	WIRE; HARNESS, 12-PIN-ECM MOTOR (BLU,WHT,BLK,GRN,YEL WIRES)
HUS04192	12	1	HOUSING; BLOWER, MOLDED HALF, RIGHT SIDE, 18.00 X 15.28 X 6.92

Part No.	Reference No.	Quantity	Description
0000035967~P	*		BURNER PARTS LIST

BURNER

75011113

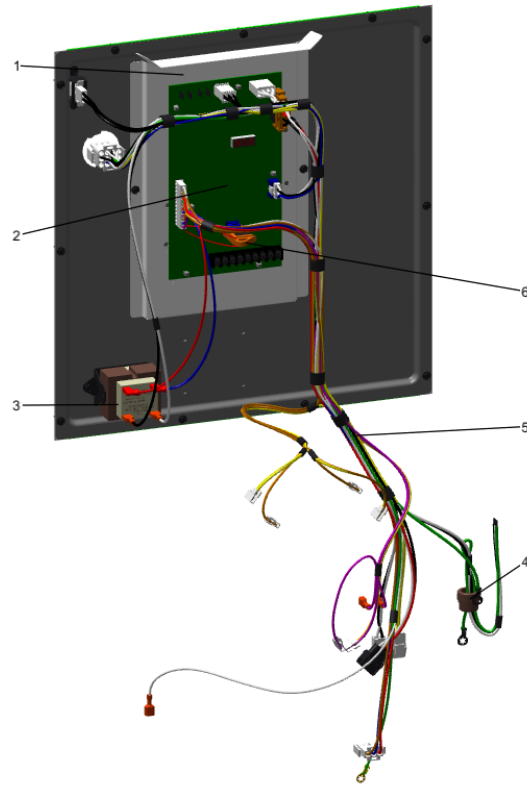
RP
A



This is a typical illustration. The unit in the field may not appear exactly as shown.

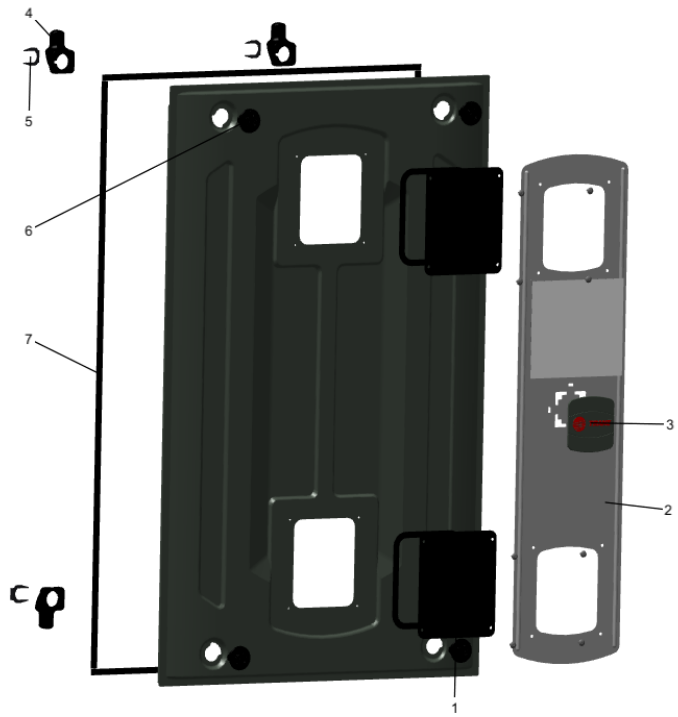
Part No.	Reference No.	Quantity	Description
BRK04581	2	1	BRACKET; FLAME SENSOR, 2.063 X 0.875 X 0.456
SEN02662	3	1	SENSOR; FLAME FOR NATURAL GAS AND LP, KANTHAL D
BOX02751	4	1	BOX; BURNER, 5.74 X 7.00 X 2.63
SWT03988	5	1	SWITCH; FLAME ROLLOUT, 180F OPEN, 5.8 FLA, 34.8 LRA AT 120 VAC, 24 VAC, MAN RESET 100F, AUTO RESET -31F, FIXED TEMP THERMOSTAT AND NON-ADJ
PLT05658	6	1	PLATE; 2 BURNER, 7.08 X 5.61
HLD00625	7	1	HOLDER; 2 BURNER, 6.625 X 1.531
CMP01465	8	1	CLAMP; BURNER-2
BNR01321	9	1	BURNER; ASM-40-2
PIP02095	10	1	PIPE; U-BEND, STEEL, 1/2-14 NPT, 3.42 X 2.00
VAL09030	11	1	VALVE; GAS, NON DIRECT VENT 2 STAGE, 1/2-14 NPT, 24V, 50/60 HZ, "J" SERIES
MFD01442	12	1	MANIFOLD; 2
ORF01427	13	2	ORIFICE; SPUD, DRILL #45, BRASS
WIR10828	14	1	WIRE; HARNESS-BURN-2-3-4
SWT03987	15	1	SWITCH; FLAME ROLLOUT, 180F OPEN, 5.8 FLA, 34.8 LRA AT 120 VAC, 24 VAC, MAN RESET 100F, AUTO RESET -31F, FIXED TEMP THERMOSTAT AND NON-ADJ
BRK04580	16	1	BRACKET; IGNITER, 2.063 X 0.875 X 0.456
IGN00152	17	1	MIN=12/12 IGNITER; SILICON-NITRIDE, 120V, INCLUDES BRACKET AND SCREWS

Part No.	Reference No.	Quantity	Description
0000036833~P	*		CONTROLS PARTS LIST



Part No.	Reference No.	Quantity	Description
GKT05000	*	2	GASKET; VESTIBULE GASKETS, ONE SIZE FITS ALL - TRIM TO FIT
SHD00602	1	1	SHIELD; BRACKET-IFC, SHEET METAL, 5.91 X 9.03
CNT07721	2	1	CONTROL; W/ IFC, 2 STAGE FURNACE CONTROL
TRR02736	3	1	TRANSFORMER; 115V-24V, 35VA, 60 HZ, CLASS 2
BUS00300	4	1	BUSHING; STRAIN RELIEF
WIR09915	5	1	WIRE; HARNESS, POWER & CONTROLS
MOD01574	6	1	MODULE; TO ORDER-SEE EXT NOTE

Part No.	Reference No.	Quantity	Description
000044047~P	*		FRONT DOOR ASSEMBLY PARTS LIST



Parts List Number :0000097857

Model Number :A952V040BD3SADA

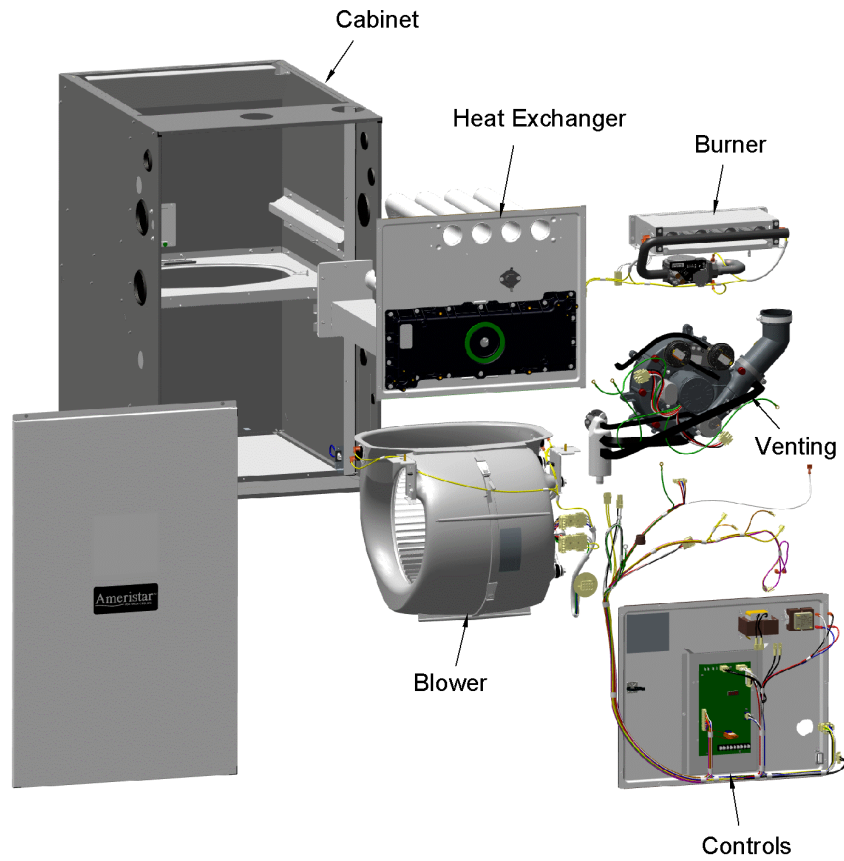
Part No.	Reference No.	Quantity	Description
DOR04564	*	1	DOOR; ASSEMBLY
GKT04783	7	2	GASKET; DOOR GASKETS, TOP/BOTTOM X 2, SIDES X 2, ONE SIZE FITS ALL - TRIM TO FIT

Part No.	Reference No.	Quantity	Description
000004401~P	*		GENERAL ASSEMBLY GRAPHIC

FURNACE
Ameristar / RunTru

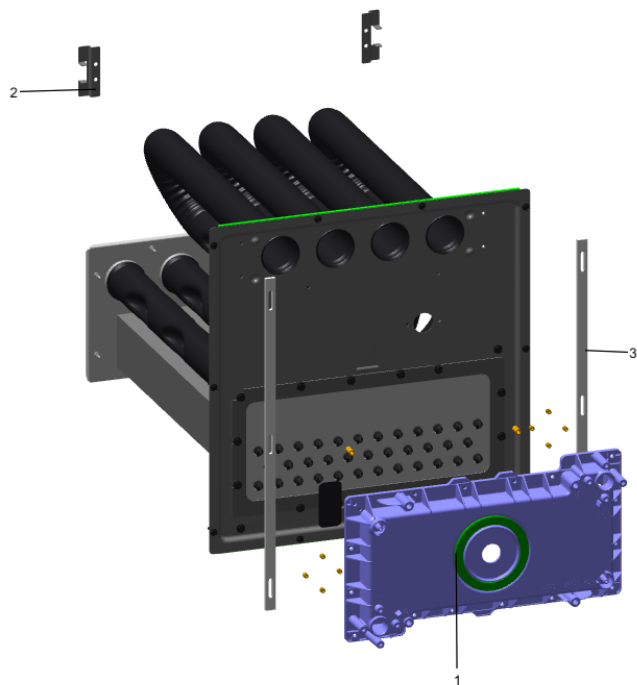
75013684

REV
B



This is a typical illustration. The unit in the field may not appear exactly as shown.

Part No.	Reference No.	Quantity	Description
0000044068~P	*		HEAT EXCHANGER PARTS LIST



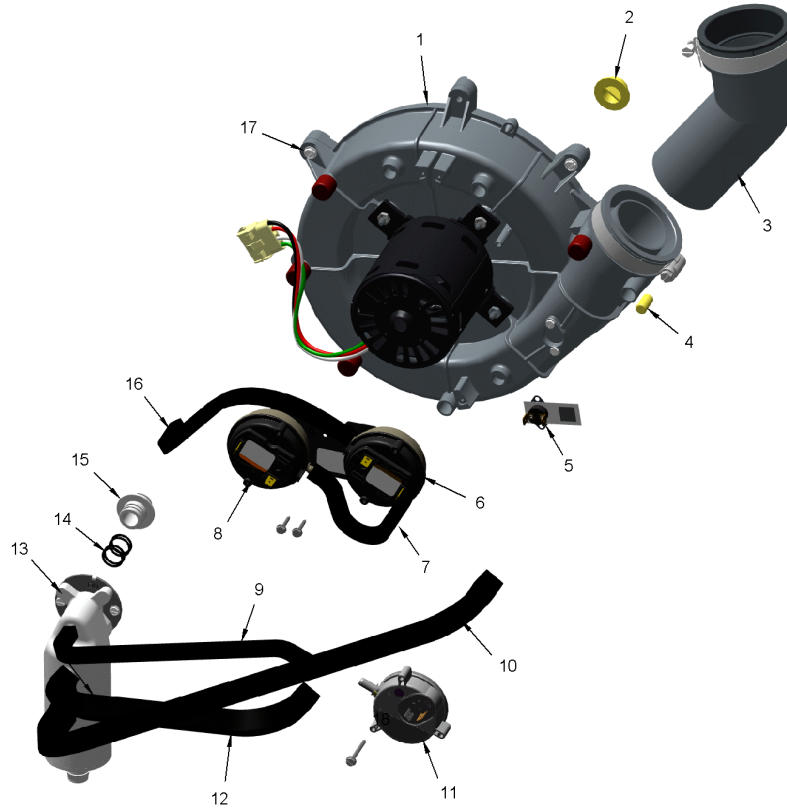
Part No.	Reference No.	Quantity	Description
EXC02922		1	EXCHANGER; HX-ASM-B40
GKT04780	1	1	GASKET; BLOWER INDUCER, GREEN SILICONE, 3.70 OD X 2.90 ID
BRK04574	2	2	BRACKET; HX HOT HEADER SUPPORT, 2.50 X 1.00
GKT05000	3	2	GASKET; VESTIBULE GASKETS, ONE SIZE FITS ALL - TRIM TO FIT

Part No.	Reference No.	Quantity	Description
000044080~P	*		INDUCER VENTING PARTS LIST

INDUCER & VENTING

75012560

RP
A



This is a typical illustration. The unit in the field may not appear exactly as shown.

Part No.	Reference No.	Quantity	Description
SWT03924	*	0	SWITCH; PRESSURE, SPDT, 28VA PILOT DUTY AT 24 VAC, 125VA PILOT DUTY AT 120VAC, SNAP ACTING CONTACTS, OPR TEMP RANGE: -40 TO 190F, 0.20 DEG W.C.
SWT04009	*	0	SWITCH; PRESSURE, SPST, 28VA PILOT DUTY AT 24 VAC, 125VA PILOT DUTY AT 125VAC, SNAP ACTING CONTACTS, OPERATING TEMP RANGE: -40 TO 190F, -0.40 DEG W.C.
SWT04238	*	1	SWITCH; ASSY-PRESS-SWITCH
BLW01401	1	1	BLOWER; INDUCER, 2 STAGE, 115V, 60 HZ, 3300/2345 RPM, 5 MFD CPT AT 370 VAC, INCLUDES GASKET & SCREWS
PLU01271	2	1	PLUG; CONDENSATE, 0.77 OD X 0.50 ID
ELL01524	3	1	ELBOW; BLACK, WITH BOOT AND CLAMP
CAP01301	4	1	CAP; PRESSURE, BLACK VINYL, 0.25 ID X 0.625 L
SWT03927	5	1	SWITCH; BLOWER INDUCER LIMIT SWITCH, 155F OPEN, 95F CLOSE
HSE01885	7	1	HOSE; PRESSURE, 0.225 ID X 7.0 L, PS1
HSE01883	9	1	HOSE; PRESSURE SWITCH, BLACK EPDM RUBBER, 0.225 ID X 19.50 L
HSE01886	10	1	HOSE; BLOWER INDUCER, CONDENSATE, BLACK EPDM, 15.00 L, 0.475 ID
SWT03926	11	1	SWITCH; CONDENSATE, POS PRESSURE, SPST, 28VA PILOT DUTY AT 24 VAC, 125VA PILOT DUTY AT 125VAC, SNAP ACTING CONTACTS, OPERATING TEMP RANGE: -40 TO 185F
HSE01889	12	1	HOSE; CONDENSATE, BLACK EPDM, 9.00 L, 0.475 ID
SEP00285	13	1	SEPARATOR; ASSEMBLY-DOWNFLOW, INCLUDES TRAP, ADAPTERS, O-RINGS AND SCREWS
RNG02446	14	4	RING; O-RING, 0.55 ID, EPDM RUBBER
ADP01426	15	1	ADAPTER; PVC PLASTIC, 0.718 ID, 1.20 ID
HSE01884	16	1	HOSE; HIGH PRESSURE, BLACK EPDM RUBBER, 0.225 ID X 12.00 L
SCR02472	17	3	SCREW; 10-32 MACHINE SCREW, 5/16 SLOTTED HEX WASHER

Part No.	Reference No.	Quantity	Description
000008617~P	*		MODEL NUMBER GRAPHIC

MODEL NUMBER DESCRIPTION

75013683

REV
B

FURNACE - Ameristar / RunTru

Example Model Number:

A 9 5 2 V 0 8 0 B D 4 S A A A
1 - - - 5 - - - 10 - - - 15

Digit 1 – Brand Name

A = Ameristar / RunTru

Digits 2 & 3 – Model Family (Nominal Efficiency)

80 = 80% Non-Condensing

90 = 90% Condensing

95 = 95% Condensing

Digit 4 – Gas Valve Stages

1 = 1 Stage Gas Valve

2 = 2 Stage Gas Valve

M = Modulating Gas Valve

Digit 5 – Blower Type

P = PSC Motor

X = X13 Constant Torque Motor

V = Variable Speed Motor

Digits 6,7,8 – BTU input (Nominal Heating Capacity)

BTUH/HOUR X 1000

Digit 9 – Cabinet Width

A = 14.0 wide

B = 17.5 wide

C = 21.0 wide

D = 24.5 wide

Digit 10 – Orientation

U = Upflow / Horizontal Right

D = Downflow / Horizontal Left

Digits 11 & 12 – Nominal Cooling Airflow

BTUH/HOUR X 1000

Digit 13 – Major Development Sequence

Digit 14 & 15– Minor Design Sequence / Series - Design Change

