

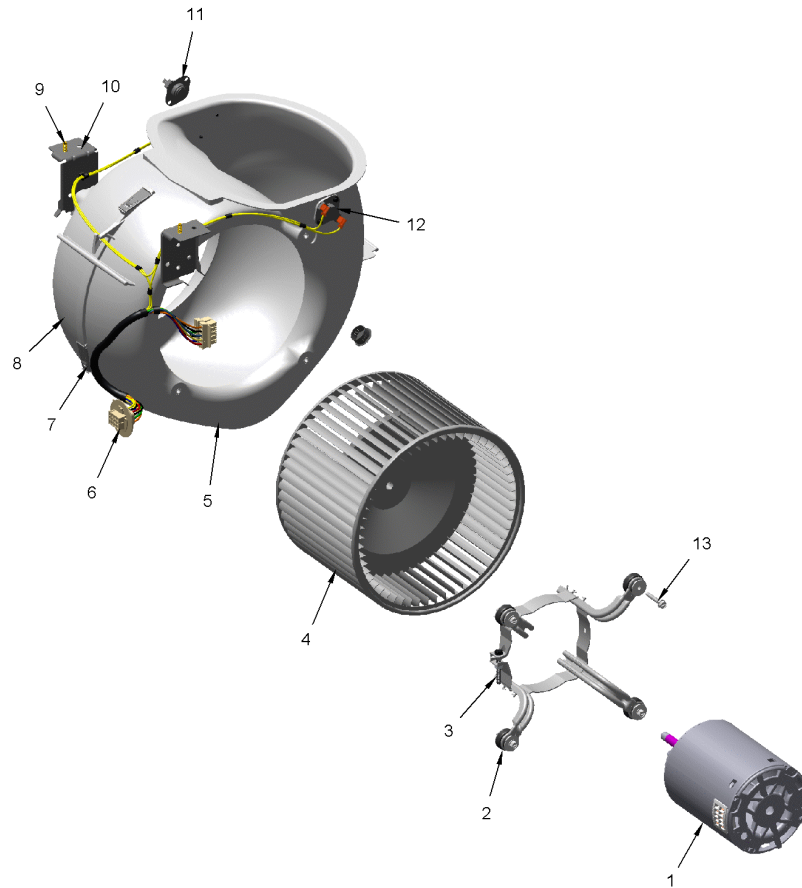
<b>Part No.</b>	<b>Reference No.</b>	<b>Quantity</b>	<b>Description</b>
0000089669~S	*		BLOWER
0000089670~S	*		BURNER
0000089742~S	*		CABINET
0000089671~S	*		CONTROLS
0000097581~S	*		GENERAL ASSEMBLY
0000089672~S	*		HEAT EXCHANGER
0000089673~S	*		INDUCER & VENTING
0000097582~S	*		MODEL NUMBER DESCRIPTION
0000089675~S	*		OPTIONAL ACCESSORIES
0000089674~S	*		SHIP WITH PARTS

Part No.	Reference No.	Quantity	Description
000004665~P	*		BLOWER PARTS LIST

BLOWER

75011741

REV  
A



This is a typical illustration. The unit in the field may not appear exactly as shown.

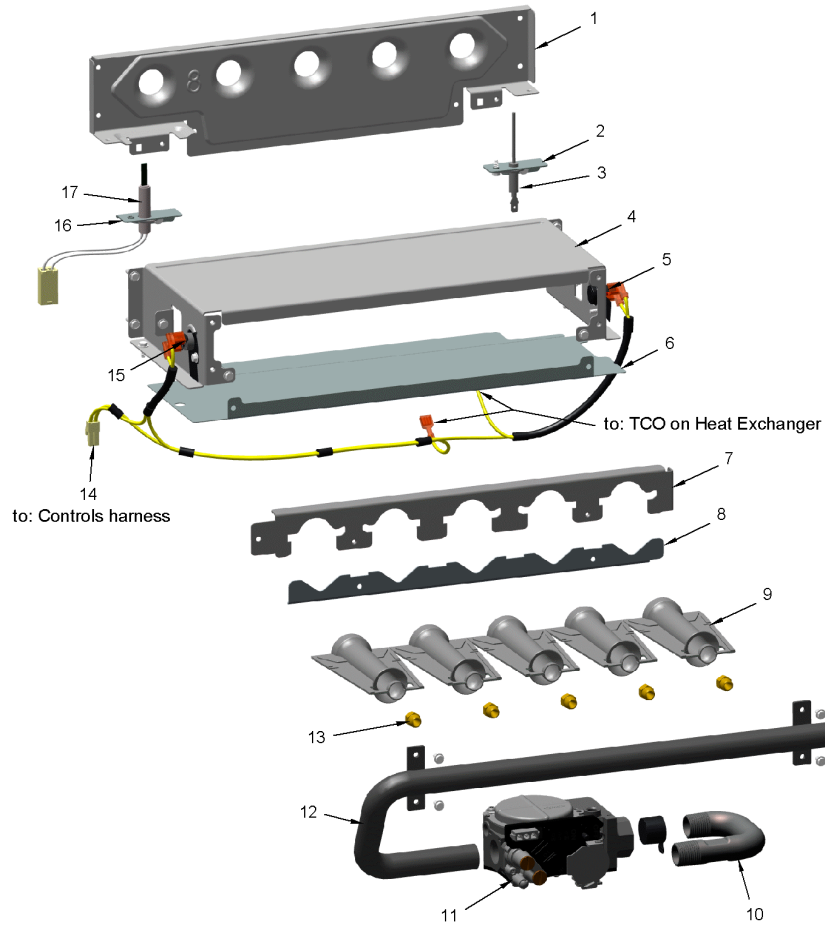
Part No.	Reference No.	Quantity	Description
MOT19230	1	1	MOTOR; CTM-1HP PROGRAMMED
BND00917	2	1	BAND; BELLY BAND ASSEMBLY, INCLUDES BAND, MOTOR LEGS, MOUNTING HARDWARE
BLT01015	3	1	BOLT; BELLY BAND, 1/4-20 UNC-2B, 3/8 HEX WASHER HEAD
WHL03316	4	1	WHEEL; BLOWER, 11.93 OD DIA, 10.68 WIDTH, 0.50 IN BORE, CW
HUS04194	5	1	HOUSING; BLOWER, MOLDED HALF, RIGHT SIDE, 18.24 X 15.37 X 8.92
WIR08569	6	1	WIRE; HARNESS, POWER, UPFLOW, CTM BLOWER, REVERSE AIR FLOW SWITCHES (RAF)
CLP01123	7	4	CLIP; CLEAT-BLOWER
HUS04195	8	1	HOUSING; BLOWER, MOLDED HALF, LEFT SIDE, 18.24 X 15.37 X 8.79
SCR01011	9	3	SCREW; 1/4-20 C HXW 5/8 S N
BRK04573	10	2	BRACKET; BLOWER DECK MOUNT, 3.78 X 2.51 X 2.19
SWT01649	11	1	SWITCH; REVERSE AIRFLOW, OPEN 105F, CLOSE 95F, 120/240V, 1/4QC TERM
SWT03982	12	1	SWITCH; REVERSE FLOW, OPEN AT 105F, CLOSE AT 95F
SCR02112	13	4	SCREW; ASSEMBLY-MOTOR MOUNT

<b>Part No.</b>	<b>Reference No.</b>	<b>Quantity</b>	<b>Description</b>
000004670~P	*		BURNER PARTS LIST

BURNER

75011113

RP  
A



This is a typical illustration. The unit in the field may not appear exactly as shown.

Part No.	Reference No.	Quantity	Description
BRK04581	2	1	BRACKET; FLAME SENSOR, 2.063 X 0.875 X 0.456
SEN02400	3	1	SENSOR; FLAME, NIKROTHAL 80 ELECTRODE, FOR NATURAL GAS
BOX02755	4	1	BOX; BURNER, 5.74 X 18.08 X 2.63
SWT03968	5	1	SWITCH; FLAME ROLLOUT, 190F OPEN, 5.8 FLA, 34.8 LRA AT 120 VAC, 24 VAC, MAN RESET 100F, AUTO RESET -31F, FIXED TEMP THERMOSTAT AND NON-ADJ
PLT05662	6	1	PLATE; 6 BURNER, 18.08 X 5.61
HLD00629	7	1	HOLDER; 6 BURNER, 17.625 X 1.531
BNR01233	9	6	BURNER; 0.50 ID INSHOT BURNER, NATURAL GAS, STAINLESS STEEL, 2.75 X 4.50
PIP02095	10	1	PIPE; U-BEND, STEEL, 1/2-14 NPT, 3.42 X 2.00
VAL09029	11	1	VALVE; GAS, SLOW OPENING 1/2-14 NPT, 24V, 50/60 HZ, "J" SERIES
MFD01446	12	1	MANIFOLD; 6
ORF01427	13	6	ORIFICE; SPUD, DRILL #45, BRASS
WIR09934	14	1	WIRE; HARNESS-BURN-5-6
SWT03967	15	1	SWITCH; FLAME ROLLOUT, 190F OPEN, 5.8 FLA, 34.8 LRA AT 120 VAC, 24 VAC, MAN RESET 100F, AUTO RESET -31F, FIXED TEMP THERMOSTAT AND NON-ADJ
BRK04580	16	1	BRACKET; IGNITER, 2.063 X 0.875 X 0.456
IGN00152	17	1	MIN=12/12 IGNITER; SILICON-NITRIDE, 120V, INCLUDES BRACKET AND SCREWS

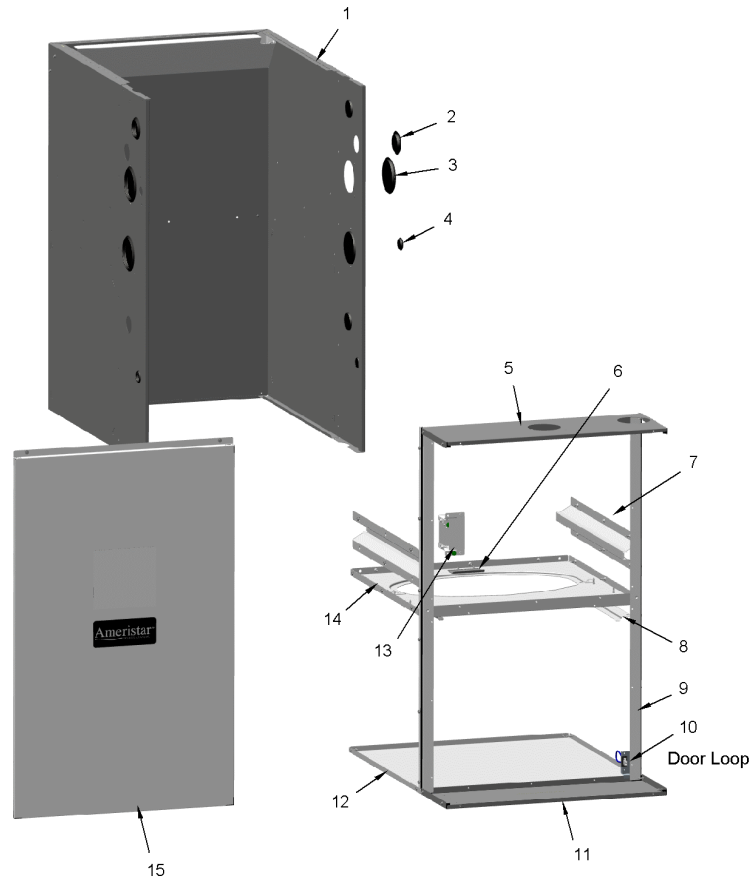
Part No.	Reference No.	Quantity	Description
000004602~P	*		CABINET PARTS LIST

CABINET

75013685

RP  
A

(Items 1, 12 & 14 are considered as non-replaceable parts)



This is a typical illustration. The unit in the field may not appear exactly as shown.

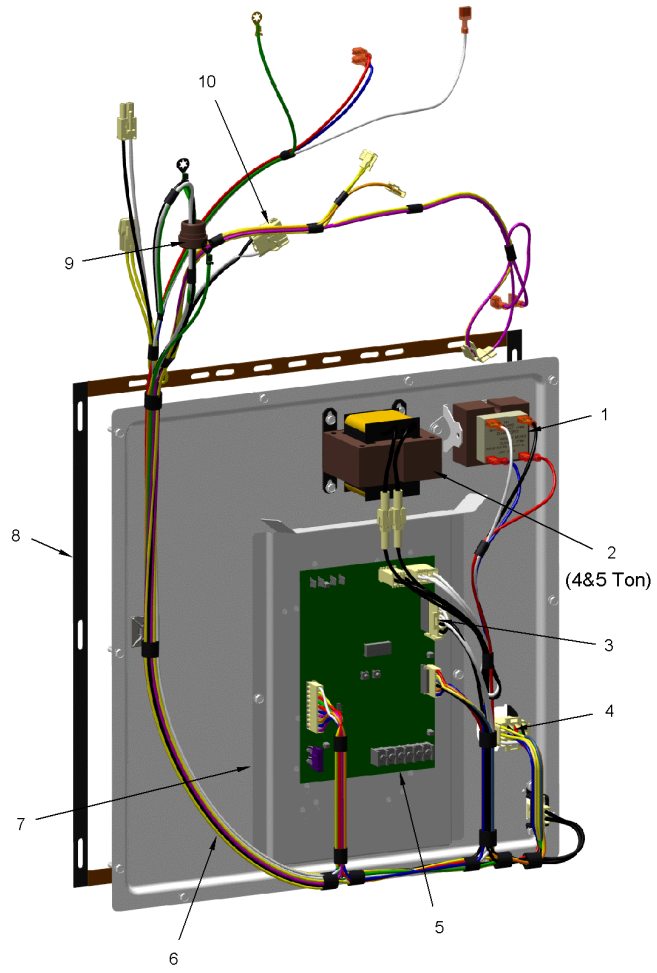
<b>Part No.</b>	<b>Reference No.</b>	<b>Quantity</b>	<b>Description</b>
PLU01272	2	3	PLUG; GAS CONDENSATE, 1.5 INCH, BLACK PLASTIC
PLU01273	3	3	PLUG; ELECTRICAL, 1.0 INCH, BLACK PLASTIC
PLU01269	4	4	PLUG; VENTING, 3.40 OD, 2.78 ID, BLACK PLASTIC
SUP06609	5	1	SUPPORT; CMEMBER-TOP-90D-UP-GALV
RTR00985	6	1	RETAINER; BLOWER, 3.00 X 1.85
RAL01161	7	2	RAIL; HEAT EXCHANGER, 19.15 X 3.47
RAL01160	8	2	RAIL; BLOWER DECK, 10.65 X 1.64
SUP05943	9	2	SUPPORT; SIDE, 33.74 X 1.07 X 1.07
WIR05160	10	1	WIRE; HARNESS, 2 PIN DF, 5 INCH BLACK WIRE
SUP06603	11	1	SUPPORT; CMEMBER-BOTTOM-90D-UP-GALV
PNL32372	12	1	PANEL; BOTTOM, 20.92 X 24.58
BOX02750	13	1	BOX; ASSEMBLY, JUNCTION, INCLUDES TOP, BASE, SCREWS & BUSHING
DOR04566	15	1	DOOR; ASSEMBLY

<b>Part No.</b>	<b>Reference No.</b>	<b>Quantity</b>	<b>Description</b>
0000012596~P	*		CONTROLS PARTS LIST

CONTROLS

75013665

RP  
A



This is a typical illustration. The unit in the field may not appear exactly as shown.

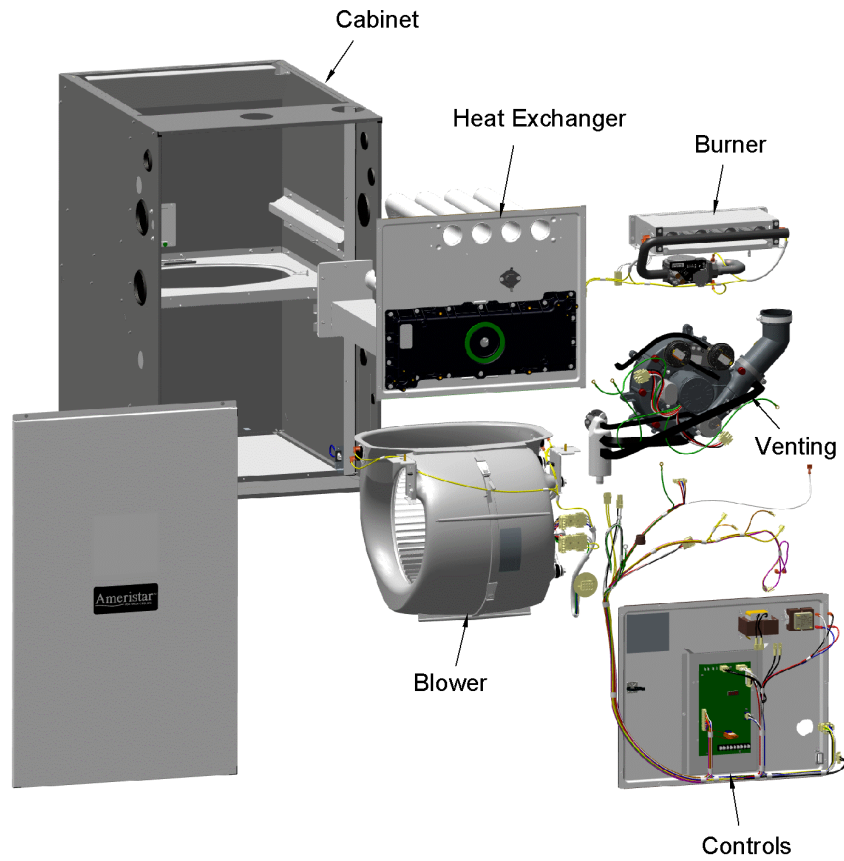
<b>Part No.</b>	<b>Reference No.</b>	<b>Quantity</b>	<b>Description</b>
TRR02736	1	1	TRANSFORMER; 115V-24V, 35VA, 60 HZ, CLASS 2
TRR02737	2	1	TRANSFORMER; CHOKE LINE, 12 AMPS RMS AC, 600V
HUS03379	3	1	HOUSING; PLUG CONNECTOR, 4 CIRCUIT
CON00105	4	1	CONNECTOR; HOUSING; 12 CKT SOCKET HSG MALE
CNT07939	5	1	CONTROL; INTEGRATED FURNACE CONTROL PCB ASSY-A951X IFC
WIR09510	6	1	WIRE; HARNESS, POWER & CONTROLS
SHD00602	7	1	SHIELD; BRACKET-IFC, SHEET METAL, 5.91 X 9.03
GKT05000	8	1	GASKET; VESTIBULE GASKETS, ONE SIZE FITS ALL - TRIM TO FIT
BUS00300	9	1	BUSHING; STRAIN RELIEF
CON00973	10	1	CONNECTOR; 3 CKT, CAP HSG, WHITE/NATURAL

Part No.	Reference No.	Quantity	Description
000004401~P	*		GENERAL ASSEMBLY GRAPHIC

FURNACE  
Ameristar / RunTru

75013684

REV  
B



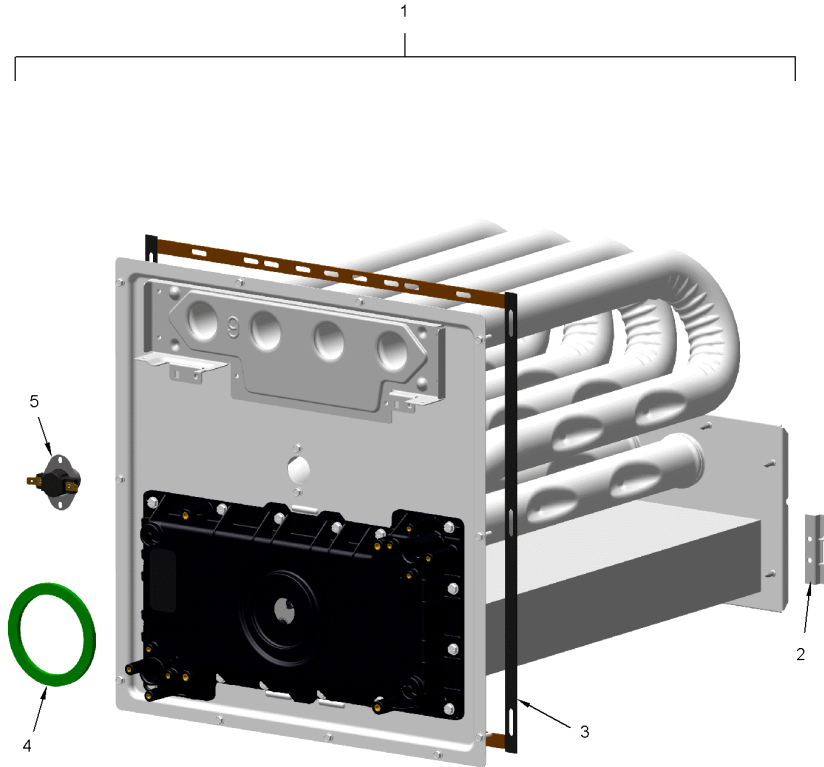
This is a typical illustration. The unit in the field may not appear exactly as shown.

Part No.	Reference No.	Quantity	Description
000004678~P	*		HEAT EXCHANGER PARTS LIST

HEAT EXCHANGER

75013667

RP  
A



The Thermal Limit Switch (TCO) is not included with the Heat Exchanger.

This is a typical illustration. The unit in the field may not appear exactly as shown.

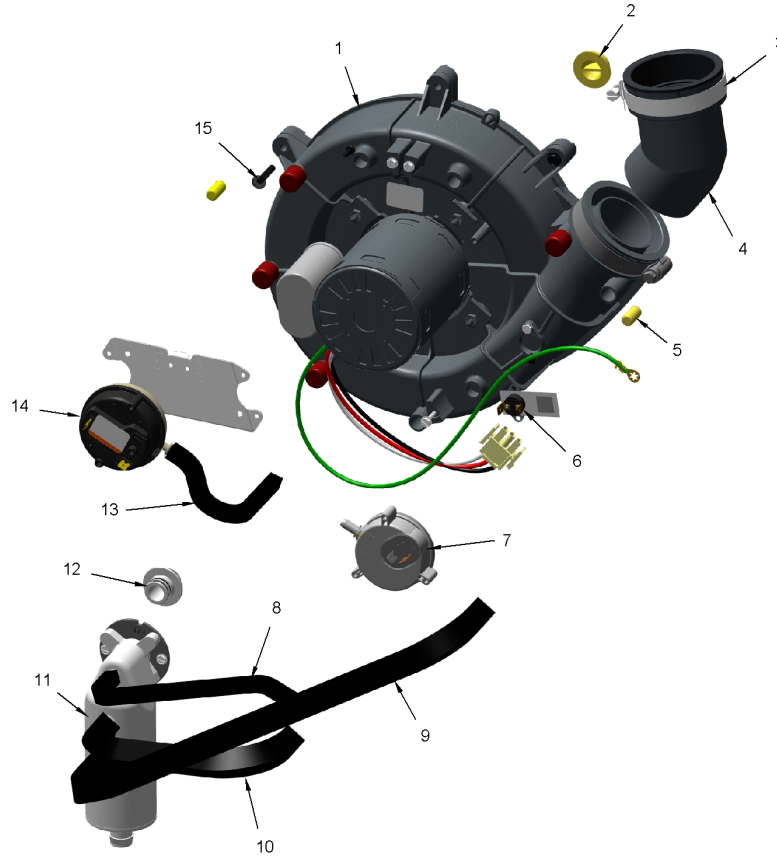
<b>Part No.</b>	<b>Reference No.</b>	<b>Quantity</b>	<b>Description</b>
EXC02927	1	1	EXCHANGER; HX-ASM-D120
BRK04574	2	2	BRACKET; HX HOT HEADER SUPPORT, 2.50 X 1.00
GKT05000	3	1	GASKET; VESTIBULE GASKETS, ONE SIZE FITS ALL - TRIM TO FIT
GKT04780	4	1	GASKET; BLOWER INDUCER, GREEN SILICONE, 3.70 OD X 2.90 ID
SWT03939	5	1	SWITCH; THERMAL, OPEN AT 140F, CLOSE AT 110F (FOR S9V2B060U3* MODELS USE SWT03941 FOR NUISANCE TRIP APPLICATIONS)

Part No.	Reference No.	Quantity	Description
000004683~P	*		INDUCER & VENTING PARTS LIST

INDUCER & VENTING

75013661

RP  
A



This is a typical illustration. The unit in the field may not appear exactly as shown.

Part No.	Reference No.	Quantity	Description
BLW01401	1	1	BLOWER; INDUCER, 2 STAGE, 115V, 60 HZ, 3300/2345 RPM, 5 MFD CPT AT 370 VAC, INCLUDES GASKET & SCREWS
PLU01271	2	1	PLUG; CONDENSATE, 0.77 OD X 0.50 ID
ELL01526	4	1	ELBOW; BLACK, WITH BOOT AND CLAMP
CAP01301	5	1	CAP; PRESSURE, BLACK VINYL, 0.25 ID X 0.625 L
SWT03927	6	1	SWITCH; BLOWER INDUCER LIMIT SWITCH, 155F OPEN, 95F CLOSE
SWT03926	7	1	SWITCH; CONDENSATE, POS PRESSURE, SPST, 28VA PILOT DUTY AT 24 VAC, 125VA PILOT DUTY AT 125VAC, SNAP ACTING CONTACTS, OPERATING TEMP RANGE: -40 TO 185F
HSE01883	8	1	HOSE; PRESSURE SWITCH, BLACK EPDM RUBBER, 0.225 ID X 19.50 L
HSE01891	9	1	HOSE; CONDENSATE, BLACK EPDM, 11.50 L, 0.475 ID
HSE01888	10	1	HOSE; BLOWER INDUCER, CONDENSATE, BLACK EPDM, 18.50 L, 0.475 ID
SEP00271	11	1	SEPARATOR; ASSEMBLY-UPFLOW, INCLUDES TRAP, ADAPTERS, O-RINGS AND SCREWS
ADP01426	12a	1	ADAPTER; PVC PLASTIC, 0.718 ID, 1.20 ID
RNG02446	12b	4	RING; O-RING, 0.55 ID, EPDM RUBBER
HSE01885	13	1	HOSE; PRESSURE, 0.225 ID X 7.0 L, PS1
SWT04240	14	1	SWITCH; PRESSURE, SPDT, 28VA PILOT DUTY AT 24 VAC, 125VA PILOT DUTY AT 120VAC, SNAP ACTING CONTACTS, OPERATING TEMP RANGE: -40 TO 190F, 0.30 DEG W.C.,
SCR02472	15	3	SCREW; 10-32 MACHINE SCREW, 5/16 SLOTTED HEX WASHER

Part No.	Reference No.	Quantity	Description
000008617~P	*		MODEL NUMBER GRAPHIC

MODEL NUMBER DESCRIPTION

75013683

REV  
B

FURNACE - Ameristar / RunTru

*Example Model Number:*

**A 9 5 2 V 0 8 0 B D 4 S A A A**  
1 - - - 5 - - - 10 - - - 15

**Digit 1 – Brand Name**

A = Ameristar / RunTru

**Digits 2 & 3 – Model Family (Nominal Efficiency)**

80 = 80% Non-Condensing

90 = 90% Condensing

95 = 95% Condensing

**Digit 4 – Gas Valve Stages**

1 = 1 Stage Gas Valve

2 = 2 Stage Gas Valve

M = Modulating Gas Valve

**Digit 5 – Blower Type**

P = PSC Motor

X = X13 Constant Torque Motor

V = Variable Speed Motor

**Digits 6,7,8 – BTU input (Nominal Heating Capacity)**

BTUH/HOUR X 1000

**Digit 9 – Cabinet Width**

A = 14.0 wide

B = 17.5 wide

C = 21.0 wide

D = 24.5 wide

**Digit 10 – Orientation**

U = Upflow / Horizontal Right

D = Downflow / Horizontal Left

**Digits 11 & 12 – Nominal Cooling Airflow**

BTUH/HOUR X 1000

**Digit 13 – Major Development Sequence**

**Digit 14 & 15– Minor Design Sequence / Series - Design Change**

Part No.	Reference No.	Quantity	Description
000004587~P	*		OPTIONAL ACCESSORIES LIST

Part No.	Reference No.	Quantity	Description
BYAIR30AVENTA	*	1	VENT; CONCENTRIC VENT KIT, (BAYAIR30AVENTAA)
BYAIR30CNVENT	*	1	KIT-CONCENTRIC-VENT-CANADA
BAYCNDTRAP2A	*	1	KIT-2" WATER COLLECTOR
BAYCNDTRAP3A	*	1	KIT-3" WATER COLLECTOR
BAYHANG	*	1	HORIZONTAL HANGER KIT
BAYLIFTD	*	1	KIT-DUAL-RETURN-D-SIZE
BAYLPSS400B	*	1	BAYLPSS400B; LP CONVERSION KIT, INCLUDES (6) STAINLESS BURNERS, SEN02662, KIT01495 & KIT07611
BAYMFGH200B	*	1	KIT; LP CONVERSION KIT W/ (6) STAINLESS STEEL BURNERS
BAYREDUCE	*	1	KIT-REDUCER-COUPPLING-CPVC
BAYVENT200B	*	1	KIT; SIDE WALL VENT ASSEMBLY
BAYVENTCN200B	*	1	KIT-VENT-SIDE-WALL-CANADA
FLRSF1255	*	1	1 INCH FILTER REPLACEMENT (QTY 12)
MAYDFERCOLKITA	*	1	KIT; COIL HEAT SHIELD, D CABINET

SHIP WITH PARTS

Parts List Number :0000089137

Model Number :A951X120DU5SABB

Part No.	Reference No.	Quantity	Description
000004584~P	*		SHIP WITH PARTS LIST

SHIP WITH PARTS

75011131

REV.  
A



This is a typical illustration. The unit in the field may not appear exactly as shown.

<b>Part No.</b>	<b>Reference No.</b>	<b>Quantity</b>	<b>Description</b>
TUB13975	1	1	TUBE; CONDENSATE DRAIN, INCLUDES CLAMPS, ADAPTER AND COUPLING
CPL00838	2	1	COUPLING; REDUCER ONLY. 2.00 TO 3.00 WHITE PVC COUPLING ADAPTER.
GRM01059	3	2	GROMMET; CONDENSATE GAS, BLACK 0.99 ID X 2.0 OD
KIT17676	4	1	KIT17676, KIT; 3 INCH INLET ADAPTOR (ADP01053) AND GASKET (GKT03082)
PLU01272	5	1	PLUG; GAS CONDENSATE, 1.5 INCH, BLACK PLASTIC
PLU01273	6	1	PLUG; ELECTRICAL, 1.0 INCH, BLACK PLASTIC
GRM01083	7	1	GROMMET; TRAP, 3.50 OD X 2.00 ID, BLACK, FLEXIBLE VINYL
KIT17674	8	1	KIT; OUTLET ADAPTOR WITH CLAMP AND GASKET