

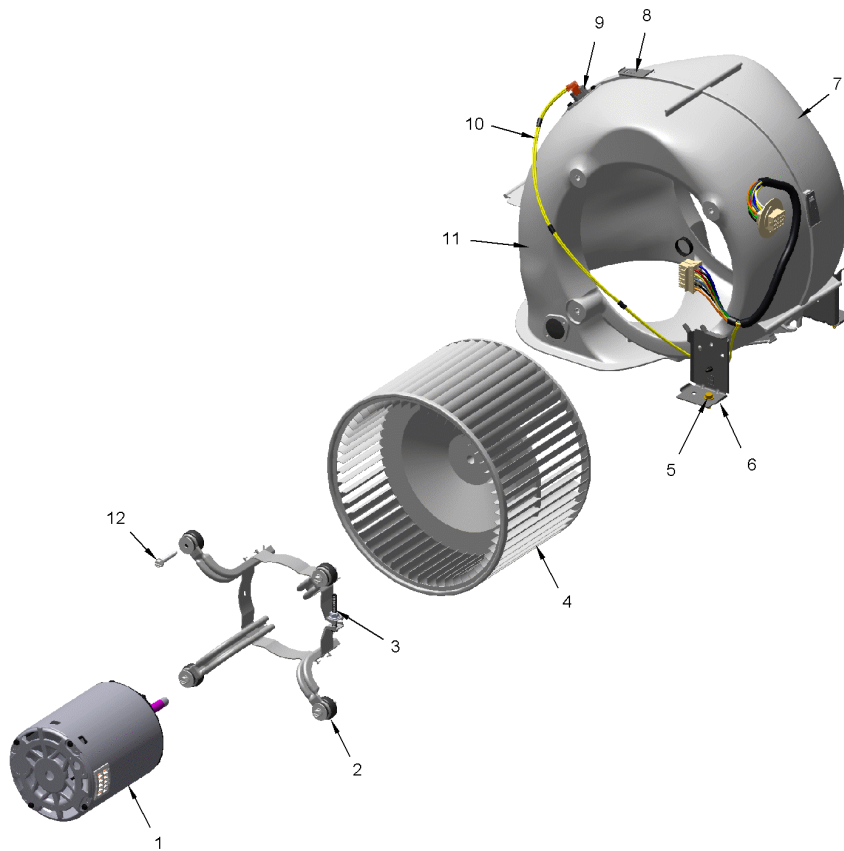
<b>Part No.</b>	<b>Reference No.</b>	<b>Quantity</b>	<b>Description</b>
0000090266~S	*		BLOWER
0000090267~S	*		BURNER
0000090268~S	*		CABINET
0000090269~S	*		CONTROLS
0000097573~S	*		GENERAL ASSEMBLY
0000090270~S	*		HEAT EXCHANGER
0000090271~S	*		INDUCER & VENTING
0000097571~S	*		MODEL NUMBER DESCRIPTION
0000090273~S	*		OPTIONAL ACCESSORIES
0000090272~S	*		SHIP WITH PARTS

Part No.	Reference No.	Quantity	Description
000004964~P	*		BLOWER PARTS LIST

BLOWER

75011742

REV.  
A



This is a typical illustration. The unit in the field may not appear exactly as shown.

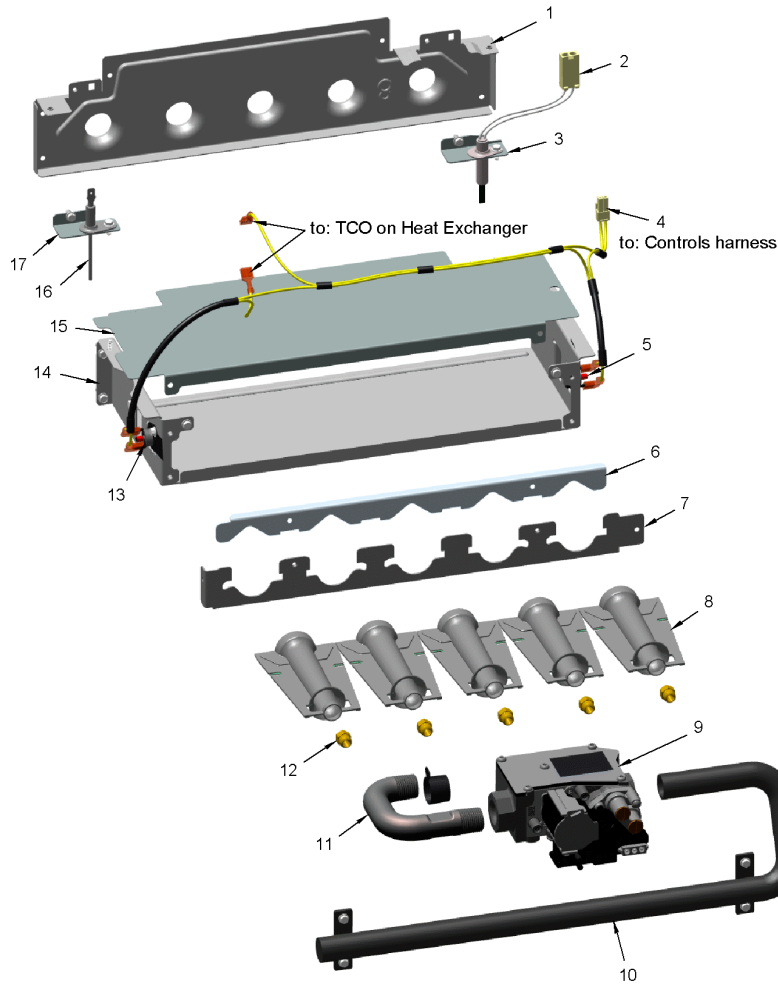
Part No.	Reference No.	Quantity	Description
MOT19234	1	1	MOTOR; CTM-1HP PROGRAMMED
BND00917	2	1	BAND; BELLY BAND ASSEMBLY, INCLUDES BAND, MOTOR LEGS, MOUNTING HARDWARE
BLT01015	3	1	BOLT; BELLY BAND, 1/4-20 UNC-2B, 3/8 HEX WASHER HEAD
WHL03316	4	1	WHEEL; BLOWER, 11.93 OD DIA, 10.68 WIDTH, 0.50 IN BORE, CW
SCR01011	5	3	SCREW; 1/4-20 C HXW 5/8 S N
BRK04573	6	2	BRACKET; BLOWER DECK MOUNT, 3.78 X 2.51 X 2.19
HUS04195	7	1	HOUSING; BLOWER, MOLDED HALF, LEFT SIDE, 18.24 X 15.37 X 8.79
CLP01123	8	4	CLIP; CLEAT-BLOWER
SWT03981	9	1	SWITCH; REVERSE FLOW, OPEN AT 95F, CLOSE AT 85F
WIR08571	10	1	WIRE; HARNESS, POWER, DOWNFLOW, CTM BLOWER, REVERSE AIR FLOW SWITCHES (RAF)
HUS04194	11	1	HOUSING; BLOWER, MOLDED HALF, RIGHT SIDE, 18.24 X 15.37 X 8.92
SCR02112	12	4	SCREW; ASSEMBLY-MOTOR MOUNT

Part No.	Reference No.	Quantity	Description
000004968~P	*		BURNER PARTS LIST

BURNER

75011133

RP  
A



This is a typical illustration. The unit in the field may not appear exactly as shown.

Part No.	Reference No.	Quantity	Description
IGN00152	2	1	MIN=12/12 IGNITER; SILICON-NITRIDE, 120V, INCLUDES BRACKET AND SCREWS
BRK04580	3	1	BRACKET; IGNITER, 2.063 X 0.875 X 0.456
WIR08573	4	1	WIRE; HARNESS, DOWNFLOW, FROM CONTROLS HARNESS TO FLAME ROLLOUT SWITCHES AND THERMAL LIMITS, YELLOW WIRES
SWT03967	5	1	SWITCH; FLAME ROLLOUT, 190F OPEN, 5.8 FLA, 34.8 LRA AT 120 VAC, 24 VAC, MAN RESET 100F, AUTO RESET -31F, FIXED TEMP THERMOSTAT AND NON-ADJ
HLD00628	7	1	HOLDER; 5 BURNER, 14.875 X 1.531
BNR01233	8	5	BURNER; 0.50 ID INSHOT BURNER, NATURAL GAS, STAINLESS STEEL, 2.75 X 4.50
VAL09029	9	1	VALVE; GAS, SLOW OPENING 1/2-14 NPT, 24V, 50/60 HZ, "J" SERIES
MFD01445	10	1	MANIFOLD; 5
PIP02095	11	1	PIPE; U-BEND, STEEL, 1/2-14 NPT, 3.42 X 2.00
ORF01427	12	5	ORIFICE; SPUD, DRILL #45, BRASS
SWT03968	13	1	SWITCH; FLAME ROLLOUT, 190F OPEN, 5.8 FLA, 34.8 LRA AT 120 VAC, 24 VAC, MAN RESET 100F, AUTO RESET -31F, FIXED TEMP THERMOSTAT AND NON-ADJ
BOX02754	14	1	BOX; BURNER, 5.74 X 15.33 X 2.63
PLT05661	15	1	PLATE; 5 BURNER, 15.33 X 5.61
SEN02400	16	1	SENSOR; FLAME, NIKROTHAL 80 ELECTRODE, FOR NATURAL GAS
BRK04581	17	1	BRACKET; FLAME SENSOR, 2.063 X 0.875 X 0.456

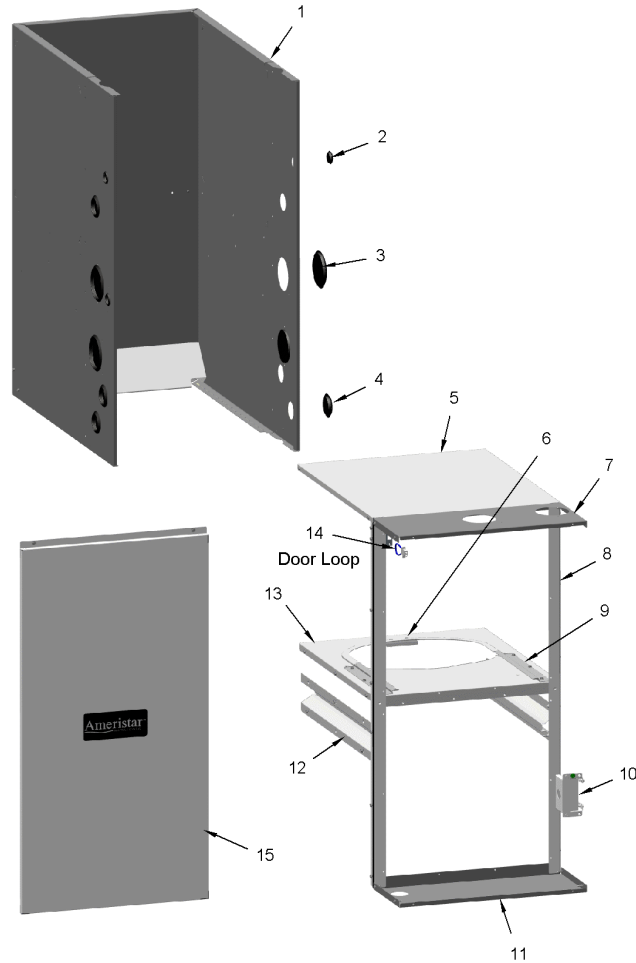
Part No.	Reference No.	Quantity	Description
000004619~P	*		CABINET PARTS LIST

CABINET

75013687

RP  
A

(Items 1, 5 & 13 are considered as non-replaceable parts)



This is a typical illustration. The unit in the field may not appear exactly as shown.

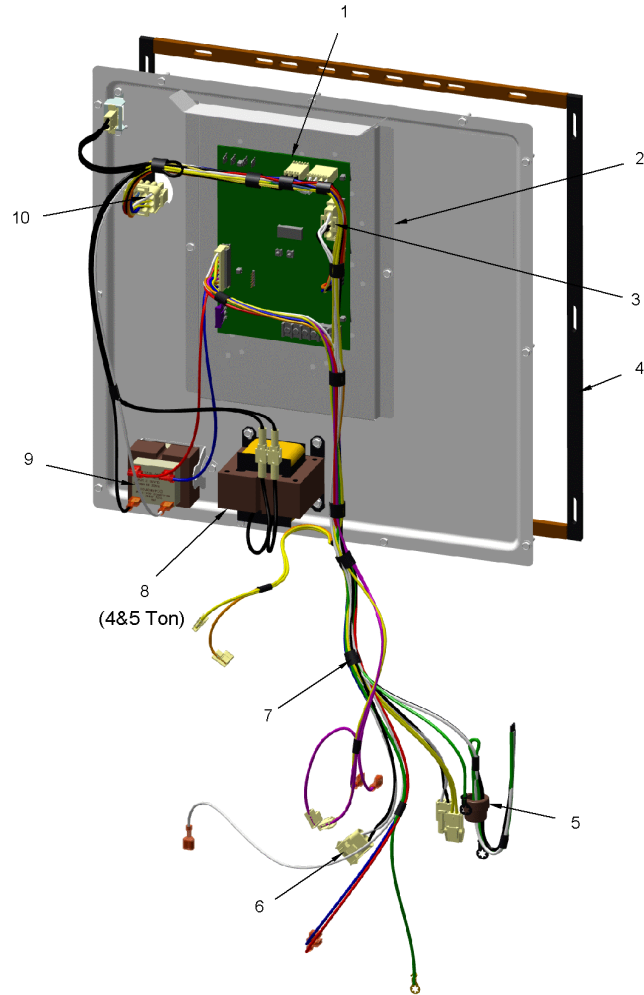
<b>Part No.</b>	<b>Reference No.</b>	<b>Quantity</b>	<b>Description</b>
PLU01272	2	3	PLUG; GAS CONDENSATE, 1.5 INCH, BLACK PLASTIC
PLU01273	3	3	PLUG; ELECTRICAL, 1.0 INCH, BLACK PLASTIC
PLU01269	4	4	PLUG; VENTING, 3.40 OD, 2.78 ID, BLACK PLASTIC
PNL32371	5	1	PANEL; BOTTOM, 20.92 X 21.08
RTR00985	6	1	RETAINER; BLOWER, 3.00 X 1.85
SUP06605	7	1	SUPPORT; CMEMBER-BOTTOM-90C-DN-GALV
SUP05943	8	2	SUPPORT; SIDE, 33.74 X 1.07 X 1.07
RAL01160	9	2	RAIL; BLOWER DECK, 10.65 X 1.64
BOX02750	10	1	BOX; ASSEMBLY, JUNCTION, INCLUDES TOP, BASE, SCREWS & BUSHING
SUP06611	11	1	SUPPORT; CMEMBER-TOP-90C-DN-GALV
RAL01161	12	2	RAIL; HEAT EXCHANGER, 19.15 X 3.47
WIR05160	14	1	WIRE; HARNESS, 2 PIN DF, 5 INCH BLACK WIRE
DOR04565	15	1	DOOR; ASSEMBLY

<b>Part No.</b>	<b>Reference No.</b>	<b>Quantity</b>	<b>Description</b>
000004971~P	*		CONTROLS PARTS LIST

CONTROLS

75013644

RP  
A



This is a typical illustration. The unit in the field may not appear exactly as shown.

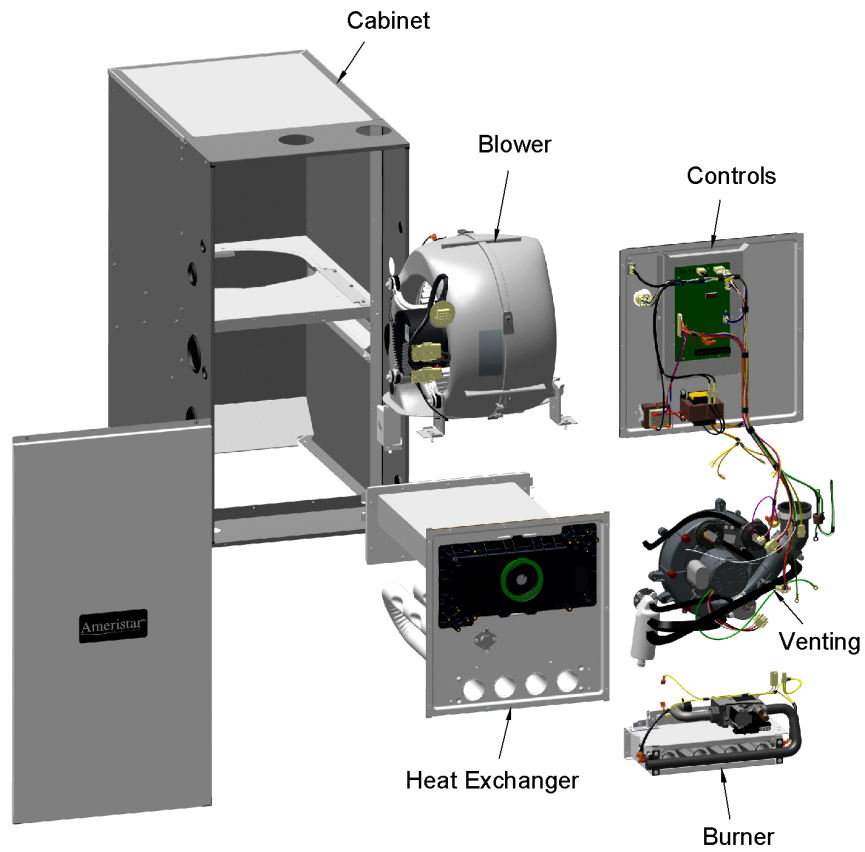
Part No.	Reference No.	Quantity	Description
PNL37122	*	1	PANEL; VESTIBULE-BOTTOM, C CABINET, 19.59 X 16.75
CNT07939	1	1	CONTROL; INTEGRATED FURNACE CONTROL PCB ASSY-A951X IFC
SHD00602	2	1	SHIELD; BRACKET-IFC, SHEET METAL, 5.91 X 9.03
HUS03379	3	1	HOUSING; PLUG CONNECTOR, 4 CIRCUIT
GKT05000	4	1	GASKET; VESTIBULE GASKETS, ONE SIZE FITS ALL - TRIM TO FIT
BUS00300	5	1	BUSHING; STRAIN RELIEF
CON00973	6	1	CONNECTOR; 3 CKT, CAP HSG, WHITE/NATURAL
WIR09512	7	1	WIRE; HARNESS, POWER & CONTROLS
TRR02737	8	1	TRANSFORMER; CHOKE LINE, 12 AMPS RMS AC, 600V
TRR02736	9	1	TRANSFORMER; 115V-24V, 35VA, 60 HZ, CLASS 2
CON00105	10	1	CONNECTOR; HOUSING; 12 CKT SOCKET HSG MALE

Part No.	Reference No.	Quantity	Description
000008636~P	*		GENERAL ASSEMBLY GRAPHIC

FURNACE  
Ameristar / RunTru

75013686

REV  
C



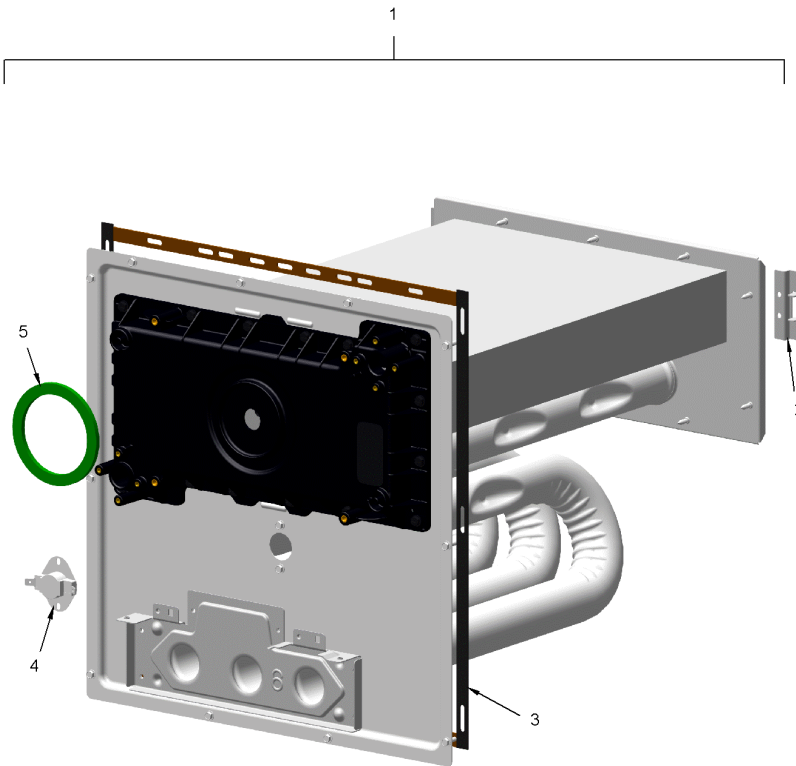
This is a typical illustration. The unit in the field may not appear exactly as shown.

Part No.	Reference No.	Quantity	Description
000004975~P	*		HEAT EXCHANGER PARTS LIST

HEAT EXCHANGER

75013663

RP  
A



The Thermal Limit Switch (TCO) is not included with the Heat Exchanger.

This is a typical illustration. The unit in the field may not appear exactly as shown.

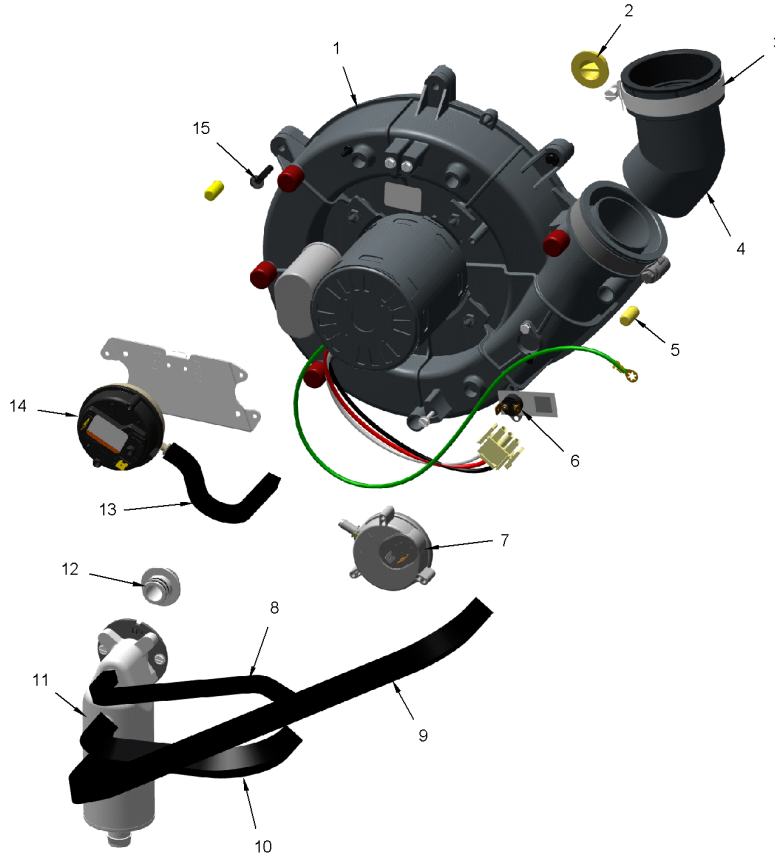
<b>Part No.</b>	<b>Reference No.</b>	<b>Quantity</b>	<b>Description</b>
EXC02926	1	1	EXCHANGER; HX-ASM-C100
BRK04574	2	2	BRACKET; HX HOT HEADER SUPPORT, 2.50 X 1.00
GKT05000	3	1	GASKET; VESTIBULE GASKETS, ONE SIZE FITS ALL - TRIM TO FIT
SWT03984	4	1	SWITCH; THERMAL, OPEN AT 130F, CLOSE AT 100F
GKT04780	5	1	GASKET; BLOWER INDUCER, GREEN SILICONE, 3.70 OD X 2.90 ID

Part No.	Reference No.	Quantity	Description
000004977~P	*		INDUCER & VENTING PARTS LIST

INDUCER & VENTING

75013661

RP  
A



This is a typical illustration. The unit in the field may not appear exactly as shown.

Part No.	Reference No.	Quantity	Description
BLW01401	1	1	BLOWER; INDUCER, 2 STAGE, 115V, 60 HZ, 3300/2345 RPM, 5 MFD CPT AT 370 VAC, INCLUDES GASKET & SCREWS
PLU01271	2	1	PLUG; CONDENSATE, 0.77 OD X 0.50 ID
ELL01525	4	1	ELBOW; BLACK, WITH BOOT AND CLAMP
CAP01301	5	2	CAP; PRESSURE, BLACK VINYL, 0.25 ID X 0.625 L
SWT03927	6	1	SWITCH; BLOWER INDUCER LIMIT SWITCH, 155F OPEN, 95F CLOSE
SWT03926	7	1	SWITCH; CONDENSATE, POS PRESSURE, SPST, 28VA PILOT DUTY AT 24 VAC, 125VA PILOT DUTY AT 125VAC, SNAP ACTING CONTACTS, OPERATING TEMP RANGE: -40 TO 185F
HSE01883	8	1	HOSE; PRESSURE SWITCH, BLACK EPDM RUBBER, 0.225 ID X 19.50 L
HSE01890	9	1	HOSE; CONDENSATE, BLACK EPDM, 10.00 L, 0.475 ID
HSE01887	10	1	HOSE; BLOWER INDUCER, CONDENSATE, BLACK EPDM, 17.00 L, 0.475 ID
SEP00271	11	1	SEPARATOR; ASSEMBLY-UPFLOW, INCLUDES TRAP, ADAPTERS, O-RINGS AND SCREWS
ADP01426	12a	1	ADAPTER; PVC PLASTIC, 0.718 ID, 1.20 ID
RNG02446	12b	4	RING; O-RING, 0.55 ID, EPDM RUBBER
HSE01885	13	1	HOSE; PRESSURE, 0.225 ID X 7.0 L, PS1
SWT03924	14	1	SWITCH; PRESSURE, SPDT, 28VA PILOT DUTY AT 24 VAC, 125VA PILOT DUTY AT 120VAC, SNAP ACTING CONTACTS, OPR TEMP RANGE: -40 TO 190F, 0.20 DEG W.C.
SCR02472	15	3	SCREW; 10-32 MACHINE SCREW, 5/16 SLOTTED HEX WASHER

Part No.	Reference No.	Quantity	Description
000008617~P	*		MODEL NUMBER GRAPHIC

MODEL NUMBER DESCRIPTION

75013683

REV  
B

FURNACE - Ameristar / RunTru

*Example Model Number:*

**A 9 5 2 V 0 8 0 B D 4 S A A A**  
1 - - - 5 - - - 10 - - - 15

**Digit 1 – Brand Name**

A = Ameristar / RunTru

**Digits 2 & 3 – Model Family (Nominal Efficiency)**

80 = 80% Non-Condensing

90 = 90% Condensing

95 = 95% Condensing

**Digit 4 – Gas Valve Stages**

1 = 1 Stage Gas Valve

2 = 2 Stage Gas Valve

M = Modulating Gas Valve

**Digit 5 – Blower Type**

P = PSC Motor

X = X13 Constant Torque Motor

V = Variable Speed Motor

**Digits 6,7,8 – BTU input (Nominal Heating Capacity)**

BTUH/HOUR X 1000

**Digit 9 – Cabinet Width**

A = 14.0 wide

B = 17.5 wide

C = 21.0 wide

D = 24.5 wide

**Digit 10 – Orientation**

U = Upflow / Horizontal Right

D = Downflow / Horizontal Left

**Digits 11 & 12 – Nominal Cooling Airflow**

BTUH/HOUR X 1000

**Digit 13 – Major Development Sequence**

**Digit 14 & 15– Minor Design Sequence / Series - Design Change**

Part No.	Reference No.	Quantity	Description
000004979~P	*		OPTIONAL ACCESSORIES LIST

Part No.	Reference No.	Quantity	Description
BYAIR30AVENTA	*	1	VENT; CONCENTRIC VENT KIT, (BAYAIR30AVENTAA)
BYAIR30CNVENT	*	1	KIT-CONCENTRIC-VENT-CANADA
BAYBASE205	*	1	BASE; SUB ASSEMBLY, DOWNFLOW
BAYCNDTRAP2A	*	1	KIT-2" WATER COLLECTOR
BAYCNDTRAP3A	*	1	KIT-3" WATER COLLECTOR
BAYFLTR204	*	1	FILTER; FRAMED FILTER KIT ASSY (BAYFLTR204)
BAYFLTR206	*	1	FILTER; ACCESS DOOR KIT (DOWNFLOW ONLY)
BAYHANG	*	1	HORIZONTAL HANGER KIT
BAYLPSS400B	*	1	BAYLPSS400B; LP CONVERSION KIT, INCLUDES (6) STAINLESS BURNERS, SEN02662, KIT01495 & KIT07611
BAYMFGH200B	*	1	KIT; LP CONVERSION KIT W/ (6) STAINLESS STEEL BURNERS
BAYREDUCE	*	1	KIT-REDUCER-COUPPLING-CPVC
BAYSF1255BAA	*	1	1 INCH SLIM FIT BOX WITH 16X25 MERV 4 FILTER
BAYVENT200B	*	1	KIT; SIDE WALL VENT ASSEMBLY
BAYVENTCN200B	*	1	KIT-VENT-SIDE-WALL-CANADA
FLRSF1255	*	1	1 INCH FILTER REPLACEMENT (QTY 12)

SHIP WITH PARTS

Parts List Number :0000089441

Model Number :A951X100CD5SABB

Part No.	Reference No.	Quantity	Description
000004583~P	*		SHIP WITH PARTS LIST

SHIP WITH PARTS

75011131

REV.  
A



This is a typical illustration. The unit in the field may not appear exactly as shown.

<b>Part No.</b>	<b>Reference No.</b>	<b>Quantity</b>	<b>Description</b>
TUB13975	1	1	TUBE; CONDENSATE DRAIN, INCLUDES CLAMPS, ADAPTER AND COUPLING
GRM01059	3	7	GROMMET; CONDENSATE GAS, BLACK 0.99 ID X 2.0 OD
KIT17675	4	1	KIT; 2 INCH INLET ADAPTOR (ADP01052) AND GASKET (GKT03082)
PLU01272	5	1	PLUG; GAS CONDENSATE, 1.5 INCH, BLACK PLASTIC
PLU01273	6	1	PLUG; ELECTRICAL, 1.0 INCH, BLACK PLASTIC
GRM01083	7	1	GROMMET; TRAP, 3.50 OD X 2.00 ID, BLACK, FLEXIBLE VINYL
KIT17674	8	1	KIT; OUTLET ADAPTOR WITH CLAMP AND GASKET