

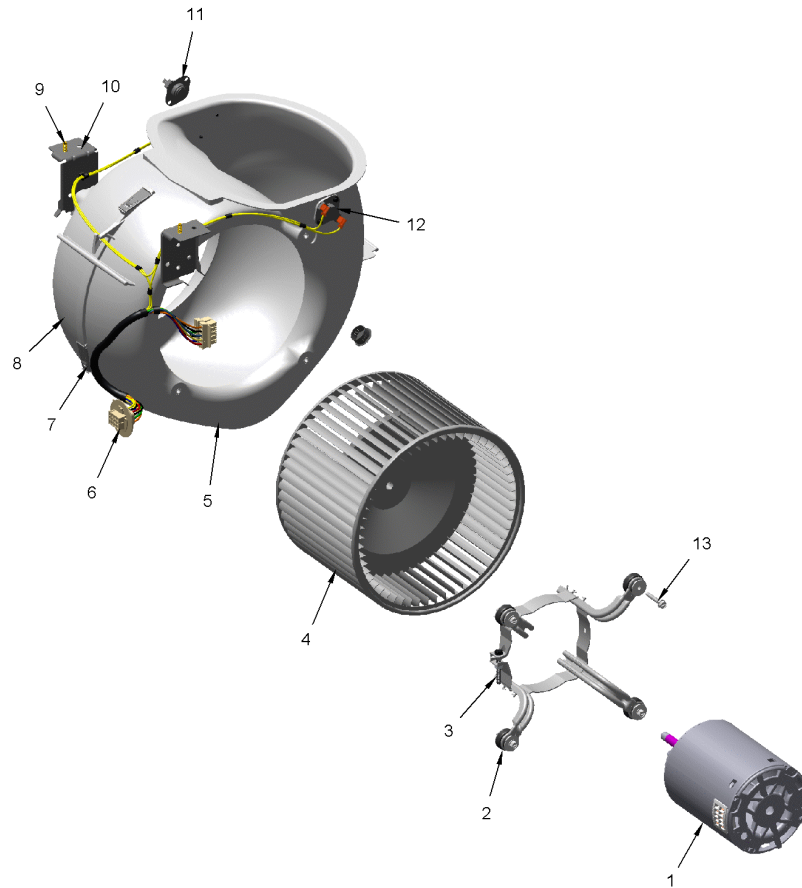
| <b>Part No.</b> | <b>Reference No.</b> | <b>Quantity</b> | <b>Description</b>       |
|-----------------|----------------------|-----------------|--------------------------|
| 0000089669~S    | *                    |                 | BLOWER                   |
| 0000089670~S    | *                    |                 | BURNER                   |
| 0000089742~S    | *                    |                 | CABINET                  |
| 0000089671~S    | *                    |                 | CONTROLS                 |
| 0000097581~S    | *                    |                 | GENERAL ASSEMBLY         |
| 0000089672~S    | *                    |                 | HEAT EXCHANGER           |
| 0000089673~S    | *                    |                 | INDUCER & VENTING        |
| 0000097582~S    | *                    |                 | MODEL NUMBER DESCRIPTION |
| 0000089675~S    | *                    |                 | OPTIONAL ACCESSORIES     |
| 0000089674~S    | *                    |                 | SHIP WITH PARTS          |

| Part No.    | Reference No. | Quantity | Description       |
|-------------|---------------|----------|-------------------|
| 000004662~P | *             |          | BLOWER PARTS LIST |

BLOWER

75011741

REV  
A



This is a typical illustration. The unit in the field may not appear exactly as shown.

| Part No. | Reference No. | Quantity | Description  |
|----------|---------------|----------|--|
| MOT19226 | 1             | 1        | MOTOR; CTM-3/4HP PROGRAMMED  |
| BND00917 | 2             | 1        | BAND; BELLY BAND ASSEMBLY, INCLUDES BAND, MOTOR LEGS, MOUNTING HARDWARE          |
| BLT01015 | 3             | 1        | BOLT; BELLY BAND, 1/4-20 UNC-2B, 3/8 HEX WASHER HEAD                             |
| WHL02916 | 4             | 1        | WHEEL; BLOWER, 11 IN DIA, 8 IN WIDTH, 0.50 IN BORE, CW                           |
| HUS04192 | 5             | 1        | HOUSING; BLOWER, MOLDED HALF, RIGHT SIDE, 18.00 X 15.28 X 6.92                   |
| WIR08568 | 6             | 1        | WIRE; HARNESS, POWER, UPFLOW, CTM BLOWER, REVERSE AIR FLOW SWITCHES (RAF)        |
| CLP01123 | 7             | 1        | CLIP; CLEAT-BLOWER   |
| HUS04193 | 8             | 1        | HOUSING; BLOWER, MOLDED HALF, LEFT SIDE, 18.00 X 15.28 X 6.79                    |
| SCR01011 | 9             | 3        | SCREW; 1/4-20 C HXW 5/8 S N  |
| BRK04572 | 10            | 12       | BRACKET; BLOWER DECK MOUNT, 3.65 X 2.51 X 1.84                                   |
| SWT03019 | 11            | 1        | SWITCH; REVERSE FLOW, OPEN 95F, CLOSE 85F, 120/240V, .25 QUICK CONNECT TERMINALS |
| SWT04395 | 12            | 1        | SWITCH; THERMAL  |
| SCR02112 | 13            | 4        | SCREW; ASSEMBLY-MOTOR MOUNT  |

| Part No.    | Reference No. | Quantity | Description       |
|-------------|---------------|----------|-------------------|
| 000004668~P | *             |          | BURNER PARTS LIST |

BURNER

75011113

RP  
A



This is a typical illustration. The unit in the field may not appear exactly as shown.

| Part No. | Reference No. | Quantity | Description  |
|----------|---------------|----------|--|
| BRK04581 | 2             | 1        | BRACKET; FLAME SENSOR, 2.063 X 0.875 X 0.456   |
| SEN02400 | 3             | 1        | SENSOR; FLAME, NIKROTHAL 80 ELECTRODE, FOR NATURAL GAS   |
| BOX02753 | 4             | 1        | BOX; BURNER, 5.74 X 12.58 X 2.63   |
| SWT03968 | 5             | 1        | SWITCH; FLAME ROLLOUT, 190F OPEN, 5.8 FLA, 34.8 LRA AT 120 VAC, 24 VAC, MAN RESET 100F, AUTO RESET -31F, FIXED TEMP THERMOSTAT AND NON-ADJ |
| PLT05660 | 6             | 1        | PLATE; 4 BURNER, 12.58 X 5.61  |
| HLD00627 | 7             | 1        | HOLDER; 4 BURNER, 12.125 X 1.531   |
| BNR01233 | 9             | 4        | BURNER; 0.50 ID INSHOT BURNER, NATURAL GAS, STAINLESS STEEL, 2.75 X 4.50   |
| PIP02095 | 10            | 1        | PIPE; U-BEND, STEEL, 1/2-14 NPT, 3.42 X 2.00   |
| VAL09029 | 11            | 1        | VALVE; GAS, SLOW OPENING 1/2-14 NPT, 24V, 50/60 HZ, "J" SERIES   |
| MFD01444 | 12            | 1        | MANIFOLD; 4  |
| ORF01427 | 13            | 4        | ORIFICE; SPUD, DRILL #45, BRASS  |
| WIR08572 | 14            | 1        | WIRE; HARNESS, UPFLOW, FROM CONTROLS HARNESS TO FLAME ROLLOUT SWITCHES AND THERMAL LIMITS, YELLOW WIRES                                    |
| SWT03967 | 15            | 1        | SWITCH; FLAME ROLLOUT, 190F OPEN, 5.8 FLA, 34.8 LRA AT 120 VAC, 24 VAC, MAN RESET 100F, AUTO RESET -31F, FIXED TEMP THERMOSTAT AND NON-ADJ |
| BRK04580 | 16            | 1        | BRACKET; IGNITER, 2.063 X 0.875 X 0.456  |
| IGN00152 | 17            | 1        | MIN=12/12 IGNITER; SILICON-NITRIDE, 120V, INCLUDES BRACKET AND SCREWS  |

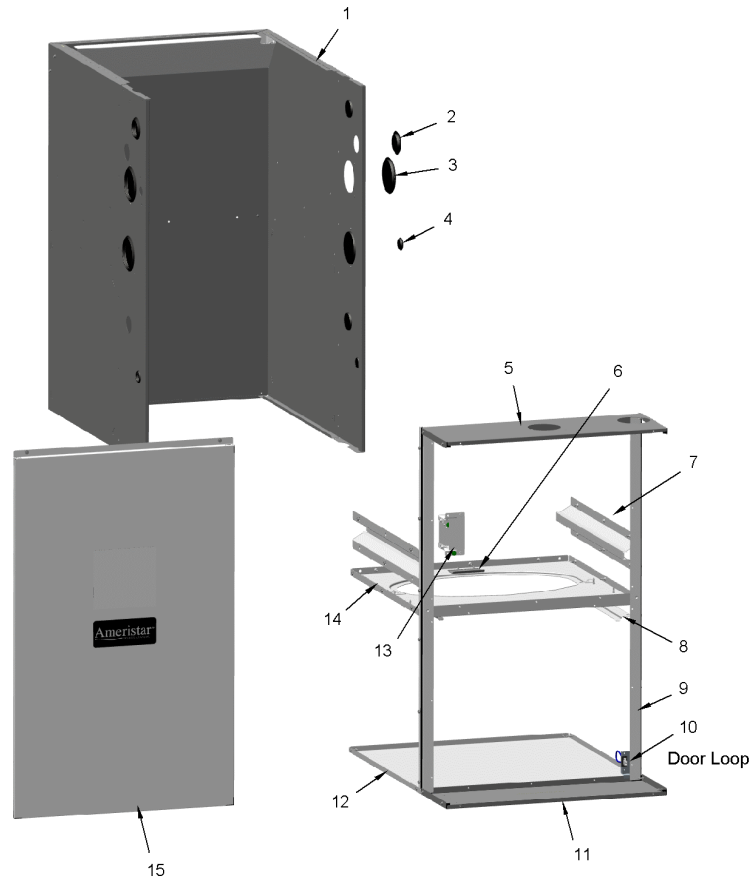
| Part No.    | Reference No. | Quantity | Description        |
|-------------|---------------|----------|--------------------|
| 000004492~P | *             |          | CABINET PARTS LIST |

CABINET

75013685

RP  
A

(Items 1, 12 & 14 are considered as non-replaceable parts)



This is a typical illustration. The unit in the field may not appear exactly as shown.

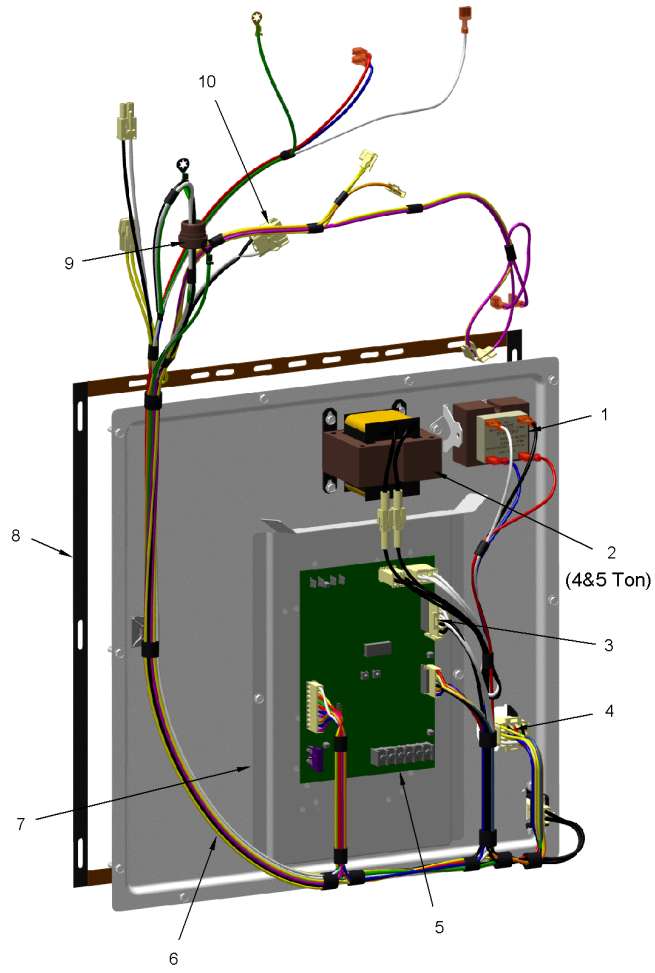
| <b>Part No.</b> | <b>Reference No.</b> | <b>Quantity</b> | <b>Description</b>  |
|-----------------|----------------------|-----------------|---|
| PLU01272        | 2                    | 3               | PLUG; GAS CONDENSATE, 1.5 INCH, BLACK PLASTIC                 |
| PLU01273        | 3                    | 3               | PLUG; ELECTRICAL, 1.0 INCH, BLACK PLASTIC                     |
| PLU01269        | 4                    | 4               | PLUG; VENTING, 3.40 OD, 2.78 ID, BLACK PLASTIC                |
| SUP06607        | 5                    | 1               | SUPPORT; CMEMBER-TOP-90B-UP-GALV                              |
| RTR00985        | 6                    | 1               | RETAINER; BLOWER, 3.00 X 1.85                                 |
| RAL01161        | 7                    | 2               | RAIL; HEAT EXCHANGER, 19.15 X 3.47                            |
| RAL01160        | 8                    | 2               | RAIL; BLOWER DECK, 10.65 X 1.64                               |
| SUP05943        | 9                    | 2               | SUPPORT; SIDE, 33.74 X 1.07 X 1.07                            |
| WIR05160        | 10                   | 1               | WIRE; HARNESS, 2 PIN DF, 5 INCH BLACK WIRE                    |
| SUP06601        | 11                   | 1               | SUPPORT; CMEMBER-BOTTOM-90B-UP-GALV                           |
| PNL32370        | 12                   | 1               | PANEL; BOTTOM, 20.92 X 17.58                                  |
| BOX02750        | 13                   | 1               | BOX; ASSEMBLY, JUNCTION, INCLUDES TOP, BASE, SCREWS & BUSHING |
| DOR04564        | 15                   | 1               | DOOR; ASSEMBLY  |

| Part No.    | Reference No. | Quantity | Description         |
|-------------|---------------|----------|---------------------|
| 000004672~P | *             |          | CONTROLS PARTS LIST |

CONTROLS

75013665

RP  
A



This is a typical illustration. The unit in the field may not appear exactly as shown.

| <b>Part No.</b> | <b>Reference No.</b> | <b>Quantity</b> | <b>Description</b>   |
|-----------------|----------------------|-----------------|--|
| TRR02736        | 1                    | 1               | TRANSFORMER; 115V-24V, 35VA, 60 HZ, CLASS 2                |
| TRR02737        | 2                    | 1               | TRANSFORMER; CHOKE LINE, 12 AMPS RMS AC, 600V              |
| HUS03379        | 3                    | 1               | HOUSING; PLUG CONNECTOR, 4 CIRCUIT                         |
| CON00105        | 4                    | 1               | CONNECTOR; HOUSING; 12 CKT SOCKET HSG MALE                 |
| CNT07939        | 5                    | 1               | CONTROL; INTEGRATED FURNACE CONTROL PCB ASSY-A951X IFC     |
| WIR09510        | 6                    | 1               | WIRE; HARNESS, POWER & CONTROLS                            |
| SHD00602        | 7                    | 1               | SHIELD; BRACKET-IFC, SHEET METAL, 5.91 X 9.03              |
| GKT05000        | 8                    | 1               | GASKET; VESTIBULE GASKETS, ONE SIZE FITS ALL - TRIM TO FIT |
| BUS00300        | 9                    | 1               | BUSHING; STRAIN RELIEF                                     |
| CON00973        | 10                   | 1               | CONNECTOR; 3 CKT, CAP HSG, WHITE/NATURAL                   |

| Part No.    | Reference No. | Quantity | Description              |
|-------------|---------------|----------|--------------------------|
| 000004401~P | *             |          | GENERAL ASSEMBLY GRAPHIC |

FURNACE  
Ameristar / RunTru

75013684

REV  
B



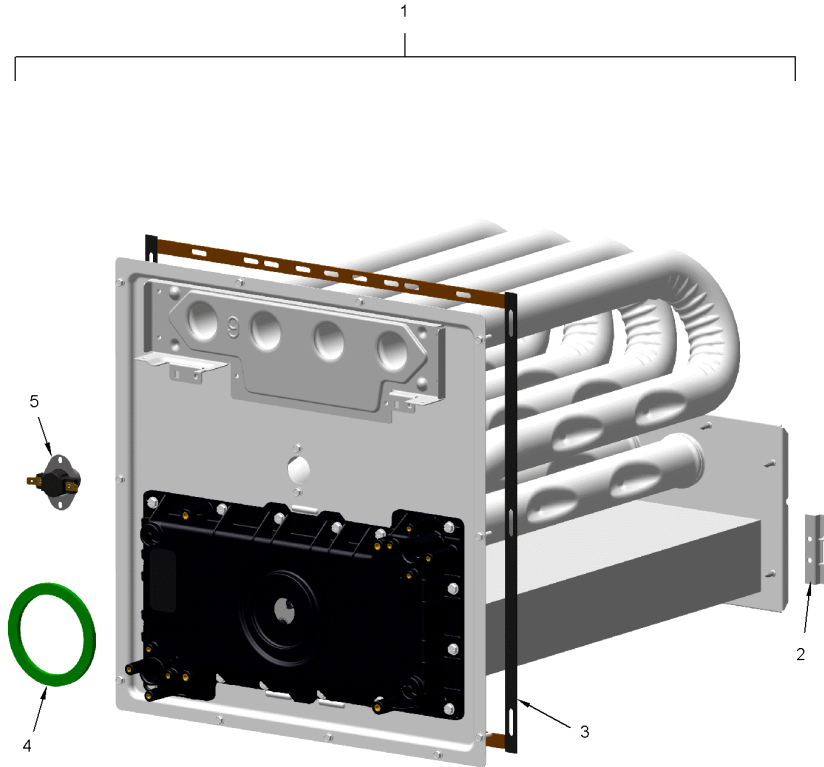
This is a typical illustration. The unit in the field may not appear exactly as shown.

| Part No.    | Reference No. | Quantity | Description               |
|-------------|---------------|----------|---------------------------|
| 000004675~P | *             |          | HEAT EXCHANGER PARTS LIST |

HEAT EXCHANGER

75013667

RP  
A



The Thermal Limit Switch (TCO) is not included with the Heat Exchanger.

This is a typical illustration. The unit in the field may not appear exactly as shown.

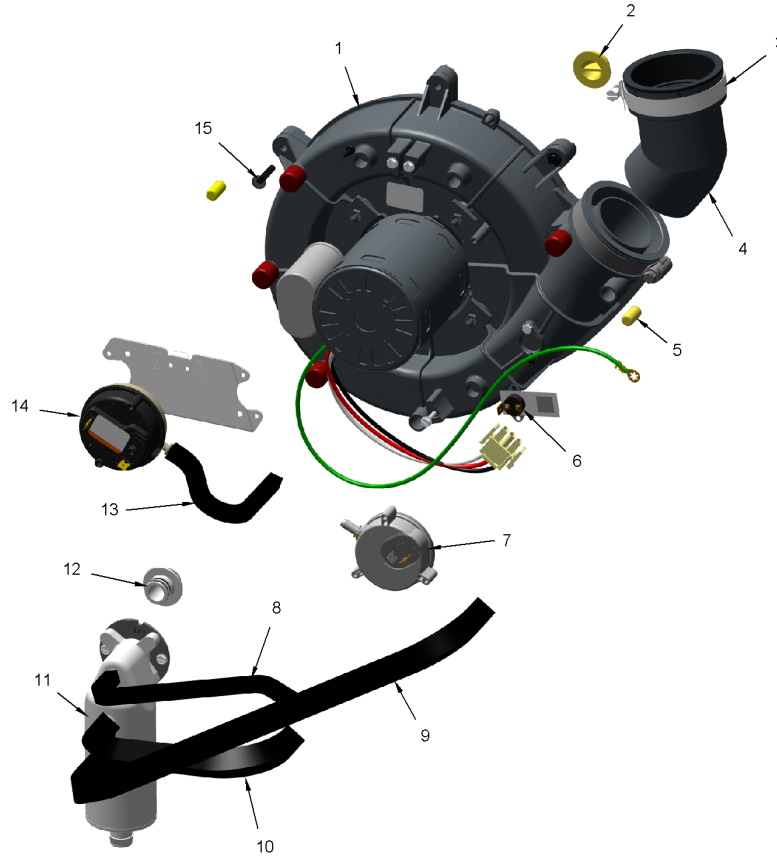
| <b>Part No.</b> | <b>Reference No.</b> | <b>Quantity</b> | <b>Description</b>   |
|-----------------|----------------------|-----------------|--|
| EXC02924        | 1                    | 1               | EXCHANGER; HX-ASM-B80                                      |
| BRK04574        | 2                    | 2               | BRACKET; HX HOT HEADER SUPPORT, 2.50 X 1.00                |
| GKT05000        | 3                    | 1               | GASKET; VESTIBULE GASKETS, ONE SIZE FITS ALL - TRIM TO FIT |
| GKT04780        | 4                    | 1               | GASKET; BLOWER INDUCER, GREEN SILICONE, 3.70 OD X 2.90 ID  |
| SWT04424        | 5                    | 1               | SWITCH; THERMAL  |

| Part No.    | Reference No. | Quantity | Description                  |
|-------------|---------------|----------|------------------------------|
| 000004680~P | *             |          | INDUCER & VENTING PARTS LIST |

INDUCER & VENTING

75013661

RP  
A



This is a typical illustration. The unit in the field may not appear exactly as shown.

| Part No. | Reference No. | Quantity | Description  |
|----------|---------------|----------|--|
| BLW01401 | 1             | 1        | BLOWER; INDUCER, 2 STAGE, 115V, 60 HZ, 3300/2345 RPM, 5 MFD CPT AT 370 VAC, INCLUDES GASKET & SCREWS   |
| PLU01271 | 2             | 1        | PLUG; CONDENSATE, 0.77 OD X 0.50 ID  |
| ELL01524 | 4             | 1        | ELBOW; BLACK, WITH BOOT AND CLAMP  |
| CAP01301 | 5             | 1        | CAP; PRESSURE, BLACK VINYL, 0.25 ID X 0.625 L  |
| SWT03965 | 6             | 1        | SWITCH; BLOWER INDUCER LIMIT SWITCH, 145F OPEN, 115F CLOSE   |
| SWT03926 | 7             | 1        | SWITCH; CONDENSATE, POS PRESSURE, SPST, 28VA PILOT DUTY AT 24 VAC, 125VA PILOT DUTY AT 125VAC, SNAP ACTING CONTACTS, OPERATING TEMP RANGE: -40 TO 185F |
| HSE01883 | 8             | 1        | HOSE; PRESSURE SWITCH, BLACK EPDM RUBBER, 0.225 ID X 19.50 L   |
| HSE01889 | 9             | 1        | HOSE; CONDENSATE, BLACK EPDM, 9.00 L, 0.475 ID   |
| HSE01886 | 10            | 1        | HOSE; BLOWER INDUCER, CONDENSATE, BLACK EPDM, 15.00 L, 0.475 ID  |
| SEP00271 | 11            | 1        | SEPARATOR; ASSEMBLY-UPFLOW, INCLUDES TRAP, ADAPTERS, O-RINGS AND SCREWS  |
| ADP01426 | 12a           | 1        | ADAPTER; PVC PLASTIC, 0.718 ID, 1.20 ID  |
| RNG02446 | 12b           | 4        | RING; O-RING, 0.55 ID, EPDM RUBBER   |
| HSE01885 | 13            | 1        | HOSE; PRESSURE, 0.225 ID X 7.0 L, PS1  |
| SWT03924 | 14            | 1        | SWITCH; PRESSURE, SPDT, 28VA PILOT DUTY AT 24 VAC, 125VA PILOT DUTY AT 120VAC, SNAP ACTING CONTACTS, OPR TEMP RANGE: -40 TO 190F, 0.20 DEG W.C.        |
| SCR02472 | 15            | 3        | SCREW; 10-32 MACHINE SCREW, 5/16 SLOTTED HEX WASHER  |

| Part No.    | Reference No. | Quantity | Description          |
|-------------|---------------|----------|----------------------|
| 000008617~P | *             |          | MODEL NUMBER GRAPHIC |

MODEL NUMBER DESCRIPTION

75013683

REV  
B

FURNACE - Ameristar / RunTru

*Example Model Number:*

**A 9 5 2 V 0 8 0 B D 4 S A A A**  
1 - - - 5 - - - 10 - - - 15

**Digit 1 – Brand Name**

A = Ameristar / RunTru

**Digits 2 & 3 – Model Family (Nominal Efficiency)**

80 = 80% Non-Condensing

90 = 90% Condensing

95 = 95% Condensing

**Digit 4 – Gas Valve Stages**

1 = 1 Stage Gas Valve

2 = 2 Stage Gas Valve

M = Modulating Gas Valve

**Digit 5 – Blower Type**

P = PSC Motor

X = X13 Constant Torque Motor

V = Variable Speed Motor

**Digits 6,7,8 – BTU input (Nominal Heating Capacity)**

BTUH/HOUR X 1000

**Digit 9 – Cabinet Width**

A = 14.0 wide

B = 17.5 wide

C = 21.0 wide

D = 24.5 wide

**Digit 10 – Orientation**

U = Upflow / Horizontal Right

D = Downflow / Horizontal Left

**Digits 11 & 12 – Nominal Cooling Airflow**

BTUH/HOUR X 1000

**Digit 13 – Major Development Sequence**

**Digit 14 & 15– Minor Design Sequence / Series - Design Change**

| Part No.    | Reference No. | Quantity | Description               |
|-------------|---------------|----------|---------------------------|
| 000004585~P | *             |          | OPTIONAL ACCESSORIES LIST |

| Part No.       | Reference No. | Quantity | Description   |
|----------------|---------------|----------|---|
| BYAIR30AVENTA  | *             | 1        | VENT; CONCENTRIC VENT KIT, (BAYAIR30AVENTAA)  |
| BYAIR30CNVENT  | *             | 1        | KIT-CONCENTRIC-VENT-CANADA  |
| BAYCNDTRAP2A   | *             | 1        | KIT-2" WATER COLLECTOR  |
| BAYCNDTRAP3A   | *             | 1        | KIT-3" WATER COLLECTOR  |
| BAYHANG        | *             | 1        | HORIZONTAL HANGER KIT   |
| BAYLIFTB       | *             | 1        | KIT-DUAL-RETURN-B-SIZE  |
| BAYLPSS400B    | *             | 1        | BAYLPSS400B; LP CONVERSION KIT, INCLUDES (6) STAINLESS BURNERS, SEN02662, KIT01495 & KIT07611 |
| BAYMFGH200B    | *             | 1        | KIT; LP CONVERSION KIT W/ (6) STAINLESS STEEL BURNERS   |
| BAYREDUCE      | *             | 1        | KIT-REDUCER-COUPPLING-CPVC  |
| BAYVENT200B    | *             | 1        | KIT; SIDE WALL VENT ASSEMBLY  |
| BAYVENTCN200B  | *             | 1        | KIT-VENT-SIDE-WALL-CANADA   |
| FLRSF1255      | *             | 1        | 1 INCH FILTER REPLACEMENT (QTY 12)  |
| MAYBFERCOLKITA | *             | 1        | KIT; COIL HEAT SHIELD, B CABINET  |

SHIP WITH PARTS

Parts List Number :0000089137

Model Number :A951X080BU4SABA

| Part No.    | Reference No. | Quantity | Description          |
|-------------|---------------|----------|----------------------|
| 000004583~P | *             |          | SHIP WITH PARTS LIST |

SHIP WITH PARTS

75011131

REV.  
A



This is a typical illustration. The unit in the field may not appear exactly as shown.

| <b>Part No.</b> | <b>Reference No.</b> | <b>Quantity</b> | <b>Description</b>  |
|-----------------|----------------------|-----------------|---|
| TUB13975        | 1                    | 1               | TUBE; CONDENSATE DRAIN, INCLUDES CLAMPS, ADAPTER AND COUPLING |
| GRM01059        | 3                    | 7               | GROMMET; CONDENSATE GAS, BLACK 0.99 ID X 2.0 OD               |
| KIT17675        | 4                    | 1               | KIT; 2 INCH INLET ADAPTOR (ADP01052) AND GASKET (GKT03082)    |
| PLU01272        | 5                    | 1               | PLUG; GAS CONDENSATE, 1.5 INCH, BLACK PLASTIC                 |
| PLU01273        | 6                    | 1               | PLUG; ELECTRICAL, 1.0 INCH, BLACK PLASTIC                     |
| GRM01083        | 7                    | 1               | GROMMET; TRAP, 3.50 OD X 2.00 ID, BLACK, FLEXIBLE VINYL       |
| KIT17674        | 8                    | 1               | KIT; OUTLET ADAPTOR WITH CLAMP AND GASKET                     |