

| <b>Part No.</b> | <b>Reference No.</b> | <b>Quantity</b> | <b>Description</b>       |
|-----------------|----------------------|-----------------|--------------------------|
| 0000089185~S    | *                    |                 | BLOWER                   |
| 0000089186~S    | *                    |                 | BURNER & INDUCER         |
| 0000089188~S    | *                    |                 | CABINET                  |
| 0000089189~S    | *                    |                 | CONTROLS                 |
| 0000089187~S    | *                    |                 | GENERAL ASSEMBLY         |
| 0000089190~S    | *                    |                 | HEAT EXCHANGER           |
| 0000089192~S    | *                    |                 | MODEL NUMBER DESCRIPTION |
| 0000089191~S    | *                    |                 | OPTIONAL ACCESSORIES     |

| Part No.     | Reference No. | Quantity | Description       |
|--------------|---------------|----------|-------------------|
| 0000016498~P | *             |          | BLOWER PARTS LIST |

BLOWER

75013070

RP  
A



This is a typical illustration. The unit in the field may not appear exactly as shown.

| Part No. | Reference No. | Quantity | Description  |
|----------|---------------|----------|--|
| SCR02624 | *             | 4        | SCREW; 8-18 X 7/8, TYPE AB, HEX CAP                                      |
| SCR01011 | 1             | 3        | SCREW; 1/4-20 C HXW 5/8 S N  |
| BRK05035 | 2             | 2        | BRACKET; BLOWER-OFFSET   |
| HUS04382 | 3             | 1        | HOUSING; REPL-HOUSING-METALLICA 11                                       |
| WHL03718 | 4             | 1        | WHEEL; BLOWER, 11.95 IN DIA, 11.93 IN WIDTH, 0.50 IN BORE, 54 BLADES, CW |
| SWT04159 | 5             | 1        | SWITCH-REVERSE FLOW  |
| SWT04158 | 6             | 1        | SWITCH-REVERSE FLOW  |
| MOT19813 | 7             | 1        | MOTOR; PROGRAM CTM   |
| BLT01015 | 8             | 1        | BOLT; BELLY BAND, 1/4-20 UNC-2B, 3/8 HEX WASHER HEAD                     |
| BND00934 | 9a            | 1        | BAND; BELLY BAND ASSEMBLY, INCLUDES BAND, MOTOR LEGS, MOUNTING HARDWARE  |
| BND00932 | 9b            | 1        | BAND; MOTOR MOUNT, 17.62 LENGTH  |
| WIR09218 | 10            | 1        | WIRE; HARNESS, BLOWER, 12 PIN  |

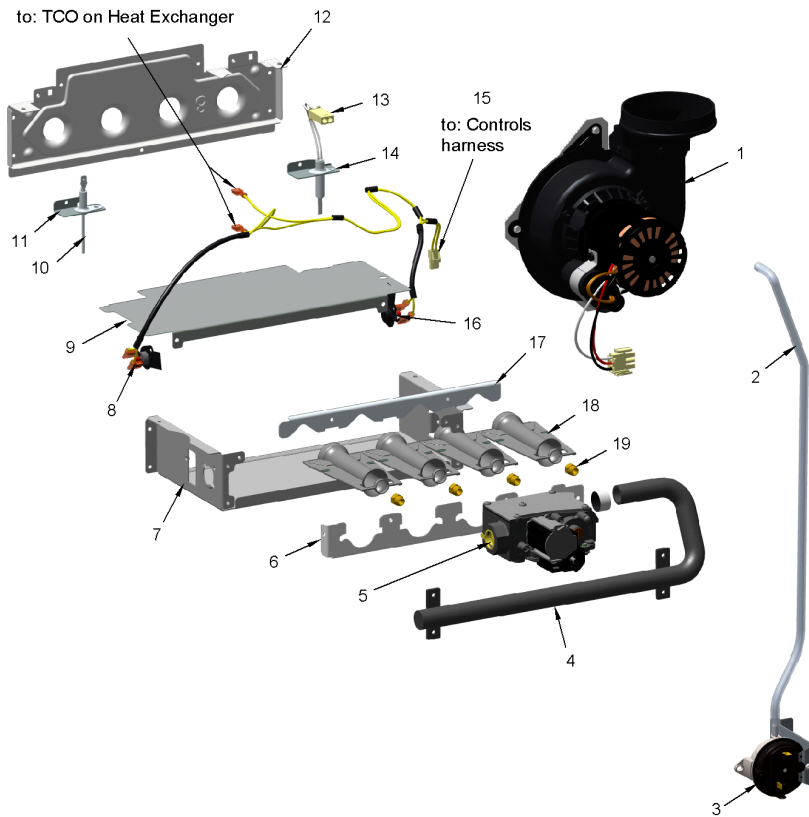
| Part No.     | Reference No. | Quantity | Description                 |
|--------------|---------------|----------|-----------------------------|
| 0000017597~P | *             |          | BURNER & INDUCER PARTS LIST |

BURNER & INDUCER

75013071

RP  
A

(Items 6, 7, 9, 12 & 17 are considered as non-replaceable parts)



This is a typical illustration. The unit in the field may not appear exactly as shown.

| Part No. | Reference No. | Quantity | Description   |
|----------|---------------|----------|---|
| BLW01657 | 1             | 1        | BLOWER; INDUCER-80-2.15-PSC   |
| TUB14902 | 2             | 1        | TUBE; PRESSURE-HIGH-STAGE   |
| SWT04219 | 3             | 1        | SWITCH; PRESSURE-.65  |
| MFD01446 | 4             | 1        | MANIFOLD; 6   |
| VAL09029 | 5             | 1        | VALVE; GAS, SLOW OPENING 1/2-14 NPT, 24V, 50/60 HZ, "J" SERIES  |
| HLD00629 | 6             | 1        | HOLDER; 6 BURNER, 17.625 X 1.531  |
| BOX02755 | 7             | 1        | BOX; BURNER, 5.74 X 18.08 X 2.63  |
| SWT04163 | 8             | 1        | SWITCH-FLAME-ROLLOUT  |
| PLT05662 | 9             | 1        | PLATE; 6 BURNER, 18.08 X 5.61   |
| SEN02400 | 10            | 1        | SENSOR; FLAME, NIKROTHAL 80 ELECTRODE, FOR NATURAL GAS  |
| BRK04581 | 11            | 1        | BRACKET; FLAME SENSOR, 2.063 X 0.875 X 0.456  |
| IGN00152 | 13            | 1        | MIN=12/12 IGNITER; SILICON-NITRIDE, 120V, INCLUDES BRACKET AND SCREWS                                     |
| BRK04580 | 14            | 1        | BRACKET; IGNITER, 2.063 X 0.875 X 0.456   |
| WIR08573 | 15            | 1        | WIRE; HARNESS, DOWNFLOW, FROM CONTROLS HARNESS TO FLAME ROLLOUT SWITCHES AND THERMAL LIMITS, YELLOW WIRES |
| SWT04162 | 16            | 1        | SWITCH-FLAME-ROLLOUT  |
| CMP01469 | 17            | 1        | CLAMP; BURNER-6   |
| BNR01233 | 18            | 6        | BURNER; 0.50 ID INSHOT BURNER, NATURAL GAS, STAINLESS STEEL, 2.75 X 4.50                                  |
| ORF01427 | 19            | 6        | ORIFICE; SPUD, DRILL #45, BRASS   |

| Part No.    | Reference No. | Quantity | Description        |
|-------------|---------------|----------|--------------------|
| 000004431~P | *             |          | CABINET PARTS LIST |

CABINET

75013682

RP  
A

(Items 1, 9 & 11 are considered as non-replaceable parts)



This is a typical illustration. The unit in the field may not appear exactly as shown.

| <b>Part No.</b> | <b>Reference No.</b> | <b>Quantity</b> | <b>Description</b>  |
|-----------------|----------------------|-----------------|---|
| PLU01267        | 2                    | 2               | PLUG; GAS CONDENSATE, 2.17 OD, 1.675 ID, BLACK PLASTIC        |
| PLU01268        | 3                    | 3               | PLUG; ELECTRICAL, 1.19 OD, 0.875 ID, BLACK PLASTIC            |
| SUP06595        | 4                    | 1               | SUPPORT; CMEMBER-TOP-80D-GALV                                 |
| VNE01869        | 5                    | 2               | VANE; GUIDE   |
| SUP05943        | 6                    | 2               | SUPPORT; SIDE, 33.74 X 1.07 X 1.07                            |
| WIR05160        | 7                    | 1               | WIRE; HARNESS, 2 PIN DF, 5 INCH BLACK WIRE                    |
| SUP06599        | 8                    | 1               | SUPPORT; CMEMBER-BOTTOM-80D-GALV                              |
| PNL32372        | 9                    | 1               | PANEL; BOTTOM, 20.92 X 24.58                                  |
| BOX02750        | 10                   | 1               | BOX; ASSEMBLY, JUNCTION, INCLUDES TOP, BASE, SCREWS & BUSHING |
| DOR04563        | 12                   | 1               | DOOR; ASSEMBLY  |

| Part No.    | Reference No. | Quantity | Description         |
|-------------|---------------|----------|---------------------|
| 000004432~P | *             |          | CONTROLS PARTS LIST |

CONTROLS

75013069

RP  
A



This is a typical illustration. The unit in the field may not appear exactly as shown.

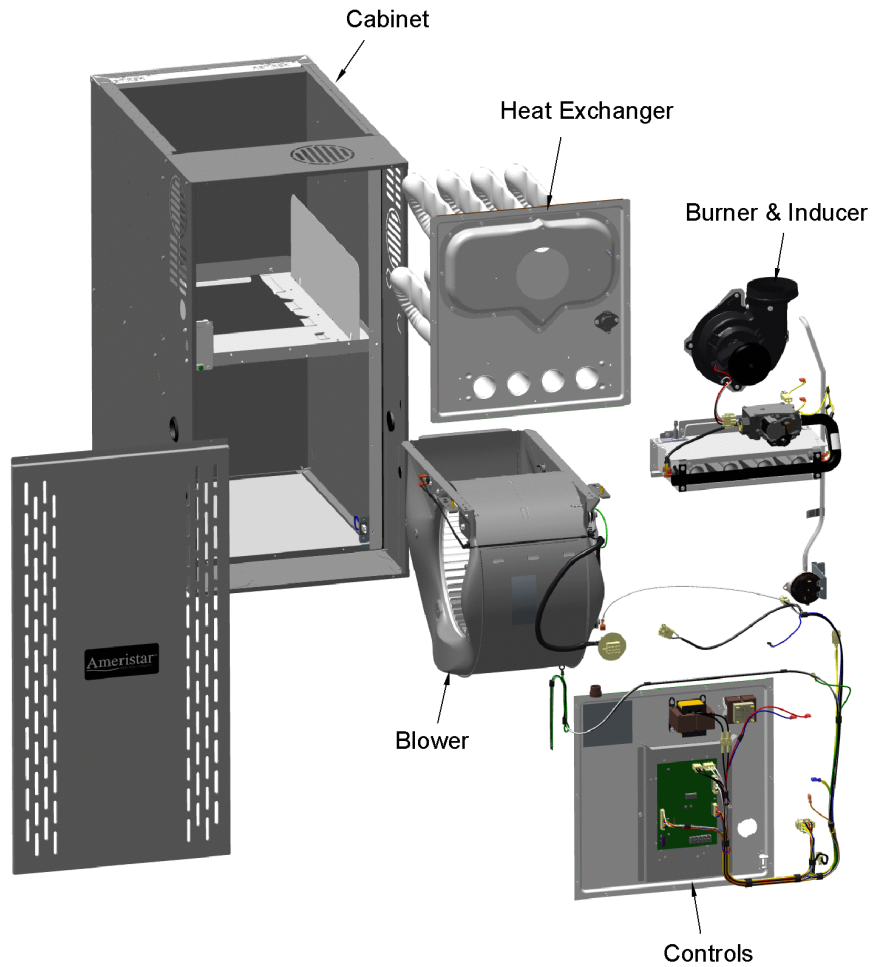
| <b>Part No.</b> | <b>Reference No.</b> | <b>Quantity</b> | <b>Description</b>   |
|-----------------|----------------------|-----------------|--|
| BUS00300        | *                    | 1               | BUSHING; STRAIN RELIEF                                     |
| PNL37122        | *                    | 1               | PANEL; VESTIBULE-BOTTOM, C CABINET, 19.59 X 16.75          |
| TRR02736        | 1                    | 1               | TRANSFORMER; 115V-24V, 35VA, 60 HZ, CLASS 2                |
| WIR09220        | 2                    | 1               | WIRE; HARNESS, POWER & CONTROLS, CHOKE                     |
| CON00105        | 3                    | 1               | CONNECTOR; HOUSING; 12 CKT SOCKET HSG MALE                 |
| CNT07940        | 4                    | 1               | CONTROL; INTEGRATED FURNACE CONTROL; A801X                 |
| GKT05000        | 5                    | 1               | GASKET; VESTIBULE GASKETS, ONE SIZE FITS ALL - TRIM TO FIT |
| SHD00602        | 6                    | 1               | SHIELD; BRACKET-IFC, SHEET METAL, 5.91 X 9.03              |
| TRR02737        | 7                    | 1               | TRANSFORMER; CHOKE LINE, 12 AMPS RMS AC, 600V              |

| Part No.    | Reference No. | Quantity | Description              |
|-------------|---------------|----------|--------------------------|
| 000006156~P | *             |          | GENERAL ASSEMBLY GRAPHIC |

FURNACE  
Ameristar / RunTru

75013681

REV  
B



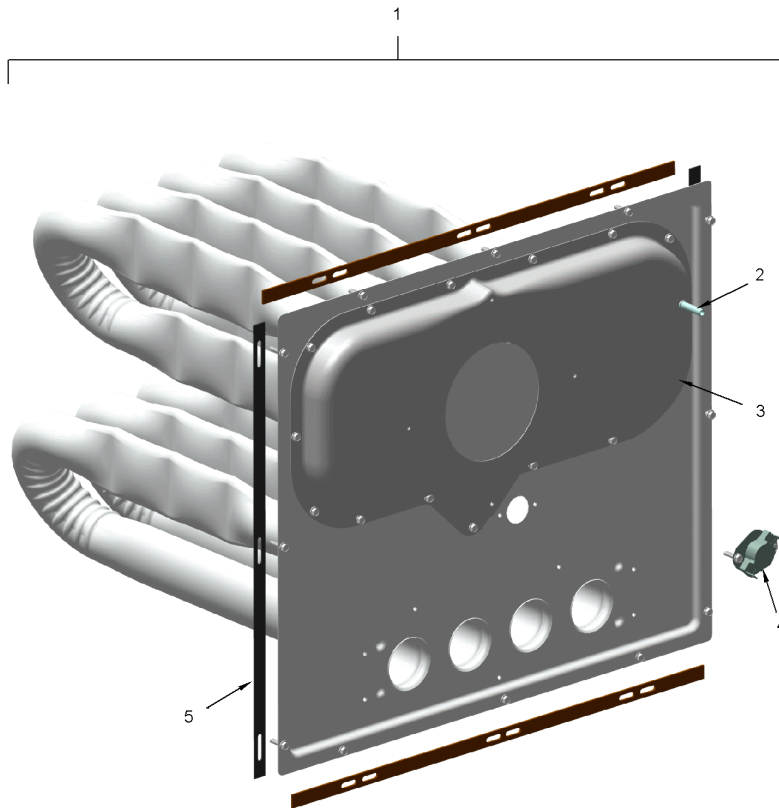
This is a typical illustration. The unit in the field may not appear exactly as shown.

| Part No.     | Reference No. | Quantity | Description               |
|--------------|---------------|----------|---------------------------|
| 0000016517~P | *             |          | HEAT EXCHANGER PARTS LIST |

HEAT EXCHANGER

75013073

RP  
A



The Thermal Limit Switch (TCO) is not included with the Heat Exchanger.

This is a typical illustration. The unit in the field may not appear exactly as shown.

| <b>Part No.</b> | <b>Reference No.</b> | <b>Quantity</b> | <b>Description</b>   |
|-----------------|----------------------|-----------------|--|
| GKT05000        | 1                    | 1               | GASKET; VESTIBULE GASKETS, ONE SIZE FITS ALL - TRIM TO FIT       |
| EXC02814        | 2                    | 1               | EXCHANGER; HX-ASM-80-D120  |
| BOX03709        | 3                    | 1               | BOX; FLUE, INCLUDES TUB08301                                     |
| SWT04527        | 4                    | 1               | SWITCH; THERMAL, OPEN AT 190F, CLOSE AT 160F                     |
| TUB08301        | 5                    | 1               | TUBE; PRESSURE SWITCH, STAINLESS STEEL, .025 O.D. .035 WALL THK. |

| Part No.    | Reference No. | Quantity | Description          |
|-------------|---------------|----------|----------------------|
| 000008617~P | *             |          | MODEL NUMBER GRAPHIC |

MODEL NUMBER DESCRIPTION

75013683

REV  
B

FURNACE - Ameristar / RunTru

*Example Model Number:*

**A 9 5 2 V 0 8 0 B D 4 S A A A**  
1 - - - 5 - - - 10 - - - 15

**Digit 1 – Brand Name**

A = Ameristar / RunTru

**Digits 2 & 3 – Model Family (Nominal Efficiency)**

80 = 80% Non-Condensing

90 = 90% Condensing

95 = 95% Condensing

**Digit 4 – Gas Valve Stages**

1 = 1 Stage Gas Valve

2 = 2 Stage Gas Valve

M = Modulating Gas Valve

**Digit 5 – Blower Type**

P = PSC Motor

X = X13 Constant Torque Motor

V = Variable Speed Motor

**Digits 6,7,8 – BTU input (Nominal Heating Capacity)**

BTUH/HOUR X 1000

**Digit 9 – Cabinet Width**

A = 14.0 wide

B = 17.5 wide

C = 21.0 wide

D = 24.5 wide

**Digit 10 – Orientation**

U = Upflow / Horizontal Right

D = Downflow / Horizontal Left

**Digits 11 & 12 – Nominal Cooling Airflow**

BTUH/HOUR X 1000

**Digit 13 – Major Development Sequence**

**Digit 14 & 15– Minor Design Sequence / Series - Design Change**

| Part No.    | Reference No. | Quantity | Description               |
|-------------|---------------|----------|---------------------------|
| 000004455~P | *             |          | OPTIONAL ACCESSORIES LIST |

| Part No.     | Reference No. | Quantity | Description   |
|--------------|---------------|----------|---|
| BAYBASE205   | *             | 1        | BASE; SUB ASSEMBLY, DOWNFLOW  |
| BAYFLTR205   | *             | 1        | FILTER; FRAMED FILTER KIT ASSY (BAYFLTR205) FOR FILTER REPLACEMENT ONLY USE FLR01613          |
| BAYFLTR206   | *             | 1        | FILTER; ACCESS DOOR KIT (DOWNFLOW ONLY)   |
| BAYHANG      | *             | 1        | HORIZONTAL HANGER KIT   |
| BAYLIFTD     | *             | 1        | KIT-DUAL-RETURN-D-SIZE  |
| BAYLPSS400B  | *             | 1        | BAYLPSS400B; LP CONVERSION KIT, INCLUDES (6) STAINLESS BURNERS, SEN02662, KIT01495 & KIT07611 |
| BAYSF1255BAA | *             | 1        | 1 INCH SLIM FIT BOX WITH 16X25 MERV 4 FILTER  |
| BAYVENT600A  | *             | 1        | KIT- DOWNFLOW ADAPTER   |
| BAYVENT800B  | *             | 1        | KIT; MASONRY CHIMNEY  |
| FLRSF1255    | *             | 1        | 1 INCH FILTER REPLACEMENT (QTY 12)  |
| PIP02095     | *             | 1        | PIPE; U-BEND, STEEL, 1/2-14 NPT, 3.42 X 2.00  |