

| Part No. | Reference No. | Quantity | Description |
|-----------------|----------------------|-----------------|--------------------------|
| 0000089185~S | * | | BLOWER |
| 0000089186~S | * | | BURNER & INDUCER |
| 0000089188~S | * | | CABINET |
| 0000089189~S | * | | CONTROLS |
| 0000089187~S | * | | GENERAL ASSEMBLY |
| 0000089190~S | * | | HEAT EXCHANGER |
| 0000089192~S | * | | MODEL NUMBER DESCRIPTION |
| 0000089191~S | * | | OPTIONAL ACCESSORIES |

| Part No. | Reference No. | Quantity | Description |
|-------------|---------------|----------|-------------------|
| 000004423~P | * | | BLOWER PARTS LIST |

BLOWER

75013070

RP
A



This is a typical illustration. The unit in the field may not appear exactly as shown.

| Part No. | Reference No. | Quantity | Description |
|----------|---------------|----------|---|
| SCR02624 | * | 4 | SCREW; 8-18 X 7/8, TYPE AB, HEX CAP |
| SCR01011 | 1 | 3 | SCREW; 1/4-20 C HXW 5/8 S N |
| BRK05035 | 2 | 2 | BRACKET; BLOWER-OFFSET |
| HUS04382 | 3 | 1 | HOUSING; REPL-HOUSING-METALLICA 11 |
| WHL03718 | 4 | 1 | WHEEL; BLOWER, 11.95 IN DIA, 11.93 IN WIDTH, 0.50 IN BORE, 54 BLADES, CW |
| SWT04157 | 5 | 1 | SWITCH-REVERSE FLOW |
| SWT04156 | 6 | 1 | SWITCH-REVERSE FLOW |
| MOT18722 | 7 | 1 | MOTOR; CONSTANT TORQUE, PROGRAMMED, 1 HP, 120/50-60/1, 48 FRAME, BALL BEARING |
| BLT01015 | 8 | 1 | BOLT; BELLY BAND, 1/4-20 UNC-2B, 3/8 HEX WASHER HEAD |
| BND00934 | 9a | 1 | BAND; BELLY BAND ASSEMBLY, INCLUDES BAND, MOTOR LEGS, MOUNTING HARDWARE |
| BND00932 | 9b | 1 | BAND; MOTOR MOUNT, 17.62 LENGTH |
| WIR09218 | 10 | 1 | WIRE; HARNESS, BLOWER, 12 PIN |

| Part No. | Reference No. | Quantity | Description |
|--------------|---------------|----------|-----------------------------|
| 0000010297~P | * | | BURNER & INDUCER PARTS LIST |

BURNER & INDUCER

75013071

RP
A

(Items 6, 7, 9, 12 & 17 are considered as non-replaceable parts)



This is a typical illustration. The unit in the field may not appear exactly as shown.

| Part No. | Reference No. | Quantity | Description |
|----------|---------------|----------|---|
| BLW01481 | 1 | 1 | BLOWER; INDUCER-80-1.75-PSC |
| TUB14902 | 2 | 1 | TUBE; PRESSURE-HIGH-STAGE |
| SWT04219 | 3 | 1 | SWITCH; PRESSURE-.65 |
| MFD01444 | 4 | 1 | MANIFOLD; 4 |
| VAL09029 | 5 | 1 | VALVE; GAS, SLOW OPENING 1/2-14 NPT, 24V, 50/60 HZ, "J" SERIES |
| HLD00627 | 6 | 1 | HOLDER; 4 BURNER, 12.125 X 1.531 |
| BOX02753 | 7 | 1 | BOX; BURNER, 5.74 X 12.58 X 2.63 |
| SWT04165 | 8 | 1 | SWITCH-FLAME-ROLLOUT |
| PLT05660 | 9 | 1 | PLATE; 4 BURNER, 12.58 X 5.61 |
| SEN02400 | 10 | 1 | SENSOR; FLAME, NIKROTHAL 80 ELECTRODE, FOR NATURAL GAS |
| BRK04581 | 11 | 1 | BRACKET; FLAME SENSOR, 2.063 X 0.875 X 0.456 |
| EXC02990 | 12 | 1 | EXCHANGER; BURNER-FLAME-SHAPER-4-80 |
| IGN00152 | 13 | 1 | MIN=12/12 IGNITER; SILICON-NITRIDE, 120V, INCLUDES BRACKET AND SCREWS |
| BRK04580 | 14 | 1 | BRACKET; IGNITER, 2.063 X 0.875 X 0.456 |
| WIR08573 | 15 | 1 | WIRE; HARNESS, DOWNFLOW, FROM CONTROLS HARNESS TO FLAME ROLLOUT SWITCHES AND THERMAL LIMITS, YELLOW WIRES |
| SWT04164 | 16 | 1 | SWITCH-FLAME-ROLLOUT |
| CMP01467 | 17 | 1 | CLAMP; BURNER - 4 |
| BNR01233 | 18 | 4 | BURNER; 0.50 ID INSHOT BURNER, NATURAL GAS, STAINLESS STEEL, 2.75 X 4.50 |
| ORF01427 | 19 | 4 | ORIFICE; SPUD, DRILL #45, BRASS |

| Part No. | Reference No. | Quantity | Description |
|-------------|---------------|----------|--------------------|
| 000004429~P | * | | CABINET PARTS LIST |

CABINET

75013682

RP
A

(Items 1, 9 & 11 are considered as non-replaceable parts)



This is a typical illustration. The unit in the field may not appear exactly as shown.

| Part No. | Reference No. | Quantity | Description |
|-----------------|----------------------|-----------------|---|
| PLU01267 | 2 | 2 | PLUG; GAS CONDENSATE, 2.17 OD, 1.675 ID, BLACK PLASTIC |
| PLU01268 | 3 | 3 | PLUG; ELECTRICAL, 1.19 OD, 0.875 ID, BLACK PLASTIC |
| SUP06594 | 4 | 1 | SUPPORT; CMEMBER-TOP-80C-GALV |
| VNE01870 | 5 | 2 | VANE; GUIDE |
| SUP05943 | 6 | 2 | SUPPORT; SIDE, 33.74 X 1.07 X 1.07 |
| WIR05160 | 7 | 1 | WIRE; HARNESS, 2 PIN DF, 5 INCH BLACK WIRE |
| SUP06598 | 8 | 1 | SUPPORT; CMEMBER-BOTTOM-80C-GALV |
| PNL32371 | 9 | 1 | PANEL; BOTTOM, 20.92 X 21.08 |
| BOX02750 | 10 | 1 | BOX; ASSEMBLY, JUNCTION, INCLUDES TOP, BASE, SCREWS & BUSHING |
| DOR04562 | 12 | 1 | DOOR; ASSEMBLY |

| Part No. | Reference No. | Quantity | Description |
|-------------|---------------|----------|---------------------|
| 000004432~P | * | | CONTROLS PARTS LIST |

CONTROLS

75013069

RP
A



This is a typical illustration. The unit in the field may not appear exactly as shown.

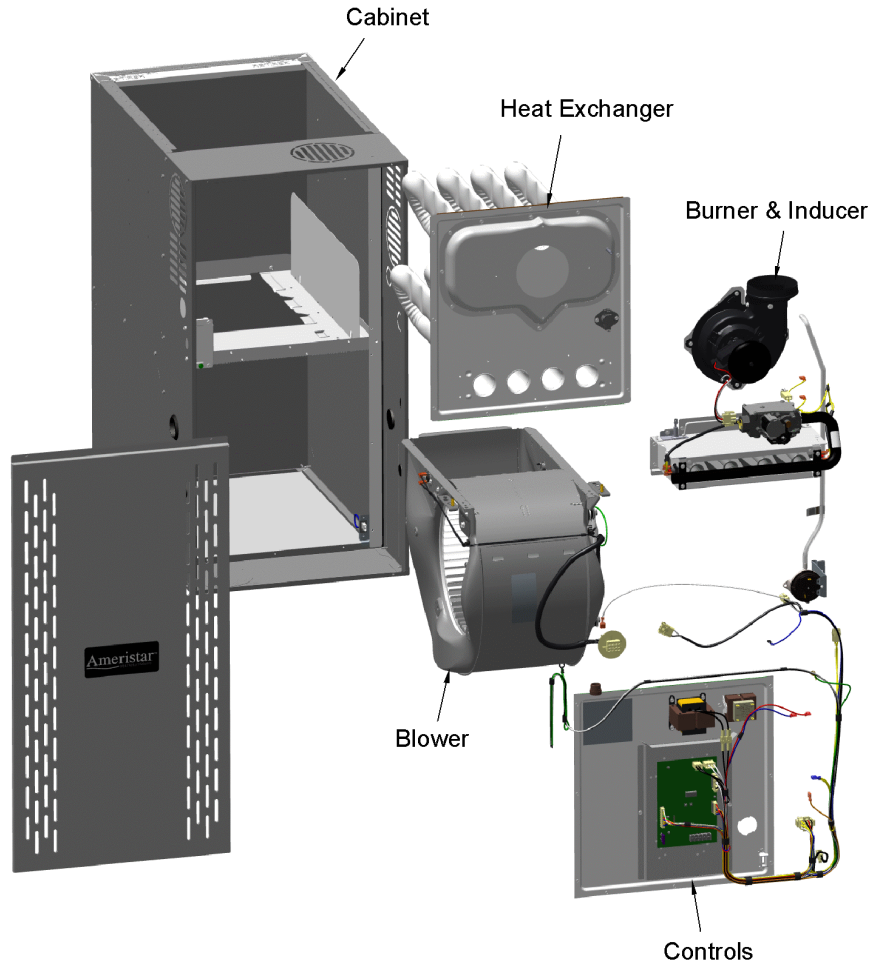
| Part No. | Reference No. | Quantity | Description |
|-----------------|----------------------|-----------------|--|
| BUS00300 | * | 1 | BUSHING; STRAIN RELIEF |
| PNL37122 | * | 1 | PANEL; VESTIBULE-BOTTOM, C CABINET, 19.59 X 16.75 |
| TRR02736 | 1 | 1 | TRANSFORMER; 115V-24V, 35VA, 60 HZ, CLASS 2 |
| WIR09220 | 2 | 1 | WIRE; HARNESS, POWER & CONTROLS, CHOKE |
| CON00105 | 3 | 1 | CONNECTOR; HOUSING; 12 CKT SOCKET HSG MALE |
| CNT07940 | 4 | 1 | CONTROL; INTEGRATED FURNACE CONTROL; A801X |
| GKT05000 | 5 | 1 | GASKET; VESTIBULE GASKETS, ONE SIZE FITS ALL - TRIM TO FIT |
| SHD00602 | 6 | 1 | SHIELD; BRACKET-IFC, SHEET METAL, 5.91 X 9.03 |
| TRR02737 | 7 | 1 | TRANSFORMER; CHOKE LINE, 12 AMPS RMS AC, 600V |

| Part No. | Reference No. | Quantity | Description |
|-------------|---------------|----------|--------------------------|
| 000006156~P | * | | GENERAL ASSEMBLY GRAPHIC |

FURNACE
Ameristar / RunTru

75013681

REV
B



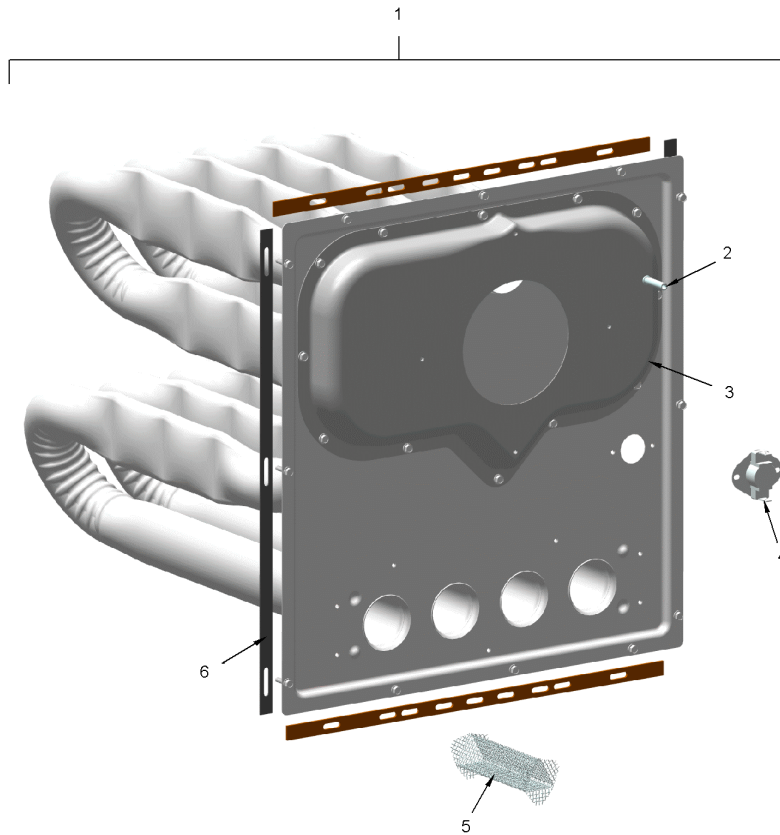
This is a typical illustration. The unit in the field may not appear exactly as shown.

| Part No. | Reference No. | Quantity | Description |
|-------------|---------------|----------|---------------------------|
| 000004445~P | * | | HEAT EXCHANGER PARTS LIST |

HEAT EXCHANGER

75013381

RP
A



The Thermal Limit Switch (TCO) & Mesh Inserts are not included with the Heat Exchanger.

This is a typical illustration. The unit in the field may not appear exactly as shown.

| Part No. | Reference No. | Quantity | Description |
|-----------------|----------------------|-----------------|--|
| EXC02812 | 1 | 1 | EXCHANGER; HX-ASM-80-C80 |
| TUB08301 | 2 | 1 | TUBE; PRESSURE SWITCH, STAINLESS STEEL, .025 O.D. .035 WALL THK. |
| BOX03708 | 3 | 1 | BOX; FLUE, INCLUDES TUB08301 |
| SWT04237 | 4 | 1 | SWITCH; THERMAL |
| SRN01074 | 5 | 4 | SCREEN; LOW NOX INSERT |
| GKT05000 | 6 | 1 | GASKET; VESTIBULE GASKETS, ONE SIZE FITS ALL - TRIM TO FIT |

| Part No. | Reference No. | Quantity | Description |
|-------------|---------------|----------|----------------------|
| 000008617~P | * | | MODEL NUMBER GRAPHIC |

MODEL NUMBER DESCRIPTION

75013683

REV
B

FURNACE - Ameristar / RunTru

Example Model Number:

A 9 5 2 V 0 8 0 B D 4 S A A A
1 - - - 5 - - - 10 - - - 15

Digit 1 – Brand Name

A = Ameristar / RunTru

Digits 2 & 3 – Model Family (Nominal Efficiency)

80 = 80% Non-Condensing

90 = 90% Condensing

95 = 95% Condensing

Digit 4 – Gas Valve Stages

1 = 1 Stage Gas Valve

2 = 2 Stage Gas Valve

M = Modulating Gas Valve

Digit 5 – Blower Type

P = PSC Motor

X = X13 Constant Torque Motor

V = Variable Speed Motor

Digits 6,7,8 – BTU input (Nominal Heating Capacity)

BTUH/HOUR X 1000

Digit 9 – Cabinet Width

A = 14.0 wide

B = 17.5 wide

C = 21.0 wide

D = 24.5 wide

Digit 10 – Orientation

U = Upflow / Horizontal Right

D = Downflow / Horizontal Left

Digits 11 & 12 – Nominal Cooling Airflow

BTUH/HOUR X 1000

Digit 13 – Major Development Sequence

Digit 14 & 15– Minor Design Sequence / Series - Design Change

| Part No. | Reference No. | Quantity | Description |
|-------------|---------------|----------|---------------------------|
| 000004454~P | * | | OPTIONAL ACCESSORIES LIST |

| Part No. | Reference No. | Quantity | Description |
|----------------|---------------|----------|---|
| BAYBASE205 | * | 1 | BASE; SUB ASSEMBLY, DOWNFLOW |
| BAYFLTR204 | * | 1 | FILTER; FRAMED FILTER KIT ASSY (BAYFLTR204) |
| BAYFLTR206 | * | 1 | FILTER; ACCESS DOOR KIT (DOWNFLOW ONLY) |
| BAYHANG | * | 1 | HORIZONTAL HANGER KIT |
| BAYLPSS400B | * | 1 | BAYLPSS400B; LP CONVERSION KIT, INCLUDES (6) STAINLESS BURNERS, SEN02662, KIT01495 & KIT07611 |
| BAYSF1255BAA | * | 1 | 1 INCH SLIM FIT BOX WITH 16X25 MERV 4 FILTER |
| BAYSWT14AHALTA | * | 1 | KIT; HIGH ALTITUDE PRESSURE SWITCH |
| BAYVENT600A | * | 1 | KIT- DOWNFLOW ADAPTER |
| BAYVENT800B | * | 1 | KIT; MASONRY CHIMNEY |
| FLRSF1255 | * | 1 | 1 INCH FILTER REPLACEMENT (QTY 12) |
| PIP02095 | * | 1 | PIPE; U-BEND, STEEL, 1/2-14 NPT, 3.42 X 2.00 |