

Part No.	Reference No.	Quantity	Description
0000089185~S	*		BLOWER
0000089186~S	*		BURNER & INDUCER
0000089188~S	*		CABINET
0000089189~S	*		CONTROLS
0000089187~S	*		GENERAL ASSEMBLY
0000089190~S	*		HEAT EXCHANGER
0000089192~S	*		MODEL NUMBER DESCRIPTION
0000089191~S	*		OPTIONAL ACCESSORIES

Part No.	Reference No.	Quantity	Description
0000022537~P	*		BLOWER PARTS LIST

BLOWER

75013070

RP
A



This is a typical illustration. The unit in the field may not appear exactly as shown.

Part No.	Reference No.	Quantity	Description
BLW01687	*	1	BLOWER; HOUSING, WHEEL AND BEARING SUPPORT
SCR02624	*	4	SCREW; 8-18 X 7/8, TYPE AB, HEX CAP
SCR01011	1	3	SCREW; 1/4-20 C HXW 5/8 S N
BRK05035	2	2	BRACKET; BLOWER-OFFSET
HUS04381	3	1	HOUSING; REPL-HOUSING-METALLICA 8
WHL02916	4	1	WHEEL; BLOWER, 11 IN DIA, 8 IN WIDTH, 0.50 IN BORE, CW
SWT04161	5	1	SWITCH-REVERSE FLOW
SWT04160	6	1	SWITCH-REVERSE FLOW
MOT18721	7	1	MOTOR; CONSTANT TORQUE, PROGRAMMED, 3/4 HP, 120/50-60/1, 48 FRAME, BALL BEARING
BLT01015	8	1	BOLT; BELLY BAND, 1/4-20 UNC-2B, 3/8 HEX WASHER HEAD
BND00934	9a	1	BAND; BELLY BAND ASSEMBLY, INCLUDES BAND, MOTOR LEGS, MOUNTING HARDWARE
BND00932	9b	1	BAND; MOTOR MOUNT, 17.62 LENGTH
WIR09218	10	1	WIRE; HARNESS, BLOWER, 12 PIN

Part No.	Reference No.	Quantity	Description
0000023096~P	*		BURNER & INDUCER PARTS LIST

BURNER & INDUCER

75013071

RP
A

(Items 6, 7, 9, 12 & 17 are considered as non-replaceable parts)



This is a typical illustration. The unit in the field may not appear exactly as shown.

Part No.	Reference No.	Quantity	Description
BLW01656	1	1	BLOWER; INDUCER-80-1.75-PSC
TUB14902	2	1	TUBE; PRESSURE-HIGH-STAGE
SWT04219	3	1	SWITCH; PRESSURE-.65
MFD01444	4	1	MANIFOLD; 4
VAL09029	5	1	VALVE; GAS, SLOW OPENING 1/2-14 NPT, 24V, 50/60 HZ, "J" SERIES
HLD00627	6	1	HOLDER; 4 BURNER, 12.125 X 1.531
BOX02753	7	1	BOX; BURNER, 5.74 X 12.58 X 2.63
SWT04165	8	1	SWITCH-FLAME-ROLLOUT
PLT05660	9	1	PLATE; 4 BURNER, 12.58 X 5.61
SEN02662	10	1	SENSOR; FLAME FOR NATURAL GAS AND LP, KANTHAL D
BRK04581	11	1	BRACKET; FLAME SENSOR, 2.063 X 0.875 X 0.456
IGN00152	13	1	MIN=12/12 IGNITER; SILICON-NITRIDE, 120V, INCLUDES BRACKET AND SCREWS
BRK04580	14	1	BRACKET; IGNITER, 2.063 X 0.875 X 0.456
WIR10828	15	1	WIRE; HARNESS-BURN-2-3-4
SWT04164	16	1	SWITCH-FLAME-ROLLOUT
CMP01467	17	1	CLAMP; BURNER - 4
BNR01233	18	4	BURNER; 0.50 ID INSHOT BURNER, NATURAL GAS, STAINLESS STEEL, 2.75 X 4.50
ORF01427	19	4	ORIFICE; SPUD, DRILL #45, BRASS

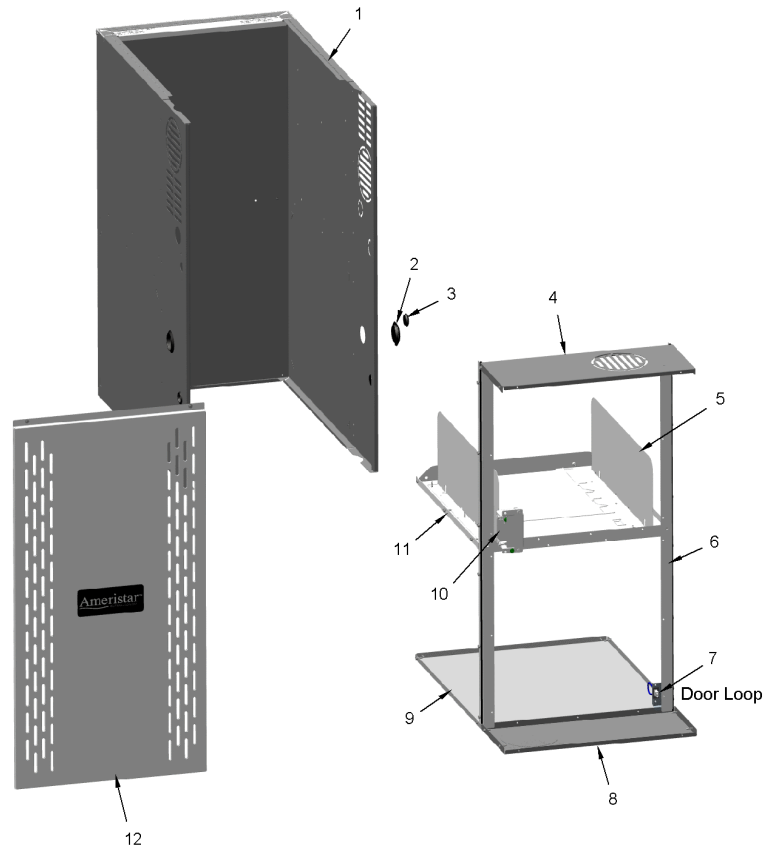
Part No.	Reference No.	Quantity	Description
000004415~P	*		CABINET PARTS LIST

CABINET

75013682

RP
A

(Items 1, 9 & 11 are considered as non-replaceable parts)



This is a typical illustration. The unit in the field may not appear exactly as shown.

Part No.	Reference No.	Quantity	Description
PLU01267	2	2	PLUG; GAS CONDENSATE, 2.17 OD, 1.675 ID, BLACK PLASTIC
PLU01268	3	3	PLUG; ELECTRICAL, 1.19 OD, 0.875 ID, BLACK PLASTIC
SUP06593	4	1	SUPPORT; CMEMBER-TOP-80B-GALV
VNE01869	5	2	VANE; GUIDE
SUP05943	6	2	SUPPORT; SIDE, 33.74 X 1.07 X 1.07
WIR05160	7	1	WIRE; HARNESS, 2 PIN DF, 5 INCH BLACK WIRE
SUP06597	8	1	SUPPORT; CMEMBER-BOTTOM-80B-GALV
PNL32370	9	1	PANEL; BOTTOM, 20.92 X 17.58
BOX02750	10	1	BOX; ASSEMBLY, JUNCTION, INCLUDES TOP, BASE, SCREWS & BUSHING
DOR04561	12	1	DOOR; ASSEMBLY

Part No.	Reference No.	Quantity	Description
0000017657~P	*		CONTROLS PARTS LIST

CONTROLS

75013069

RP
A



This is a typical illustration. The unit in the field may not appear exactly as shown.

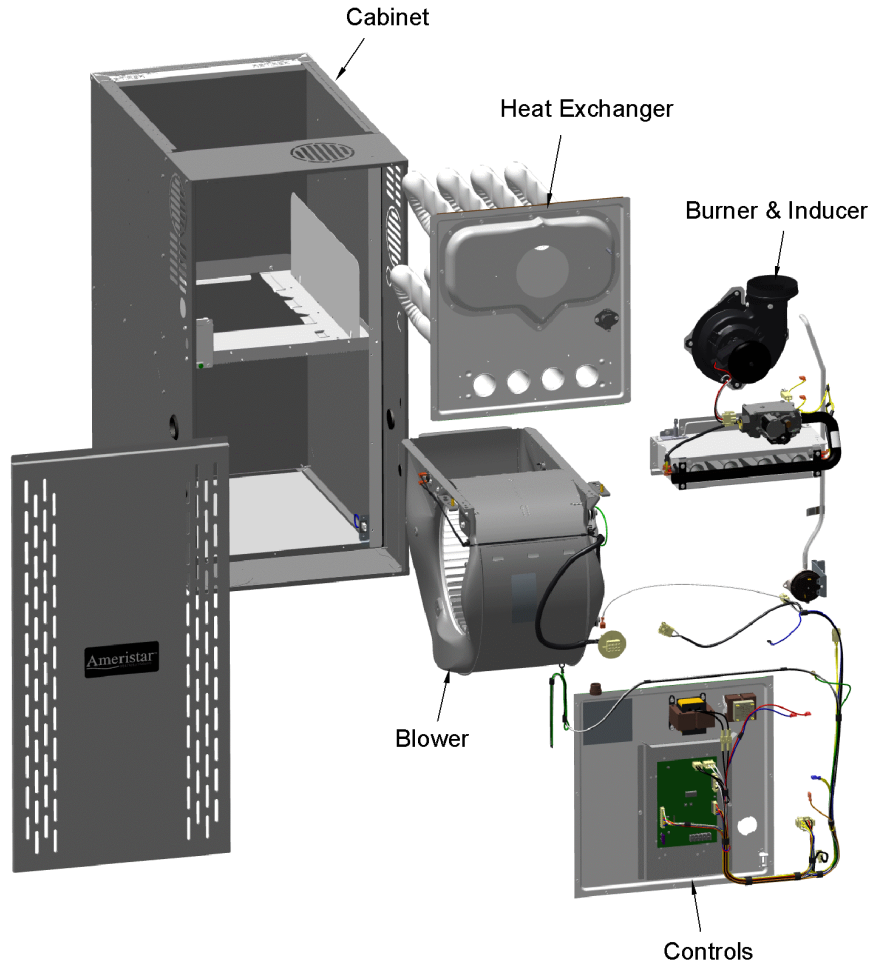
Part No.	Reference No.	Quantity	Description
BUS00300	*	1	BUSHING; STRAIN RELIEF
TRR02736	1	1	TRANSFORMER; 115V-24V, 35VA, 60 HZ, CLASS 2
WIR09219	2	1	WIRE; HARNESS, POWER & CONTROLS, NO CHOKE
CON00105	3	1	CONNECTOR; HOUSING; 12 CKT SOCKET HSG MALE
CNT07940	4	1	CONTROL; INTEGRATED FURNACE CONTROL; A801X
GKT05000	5	1	GASKET; VESTIBULE GASKETS, ONE SIZE FITS ALL - TRIM TO FIT
SHD00602	6	1	SHIELD; BRACKET-IFC, SHEET METAL, 5.91 X 9.03

Part No.	Reference No.	Quantity	Description
000006156~P	*		GENERAL ASSEMBLY GRAPHIC

FURNACE
Ameristar / RunTru

75013681

REV
B



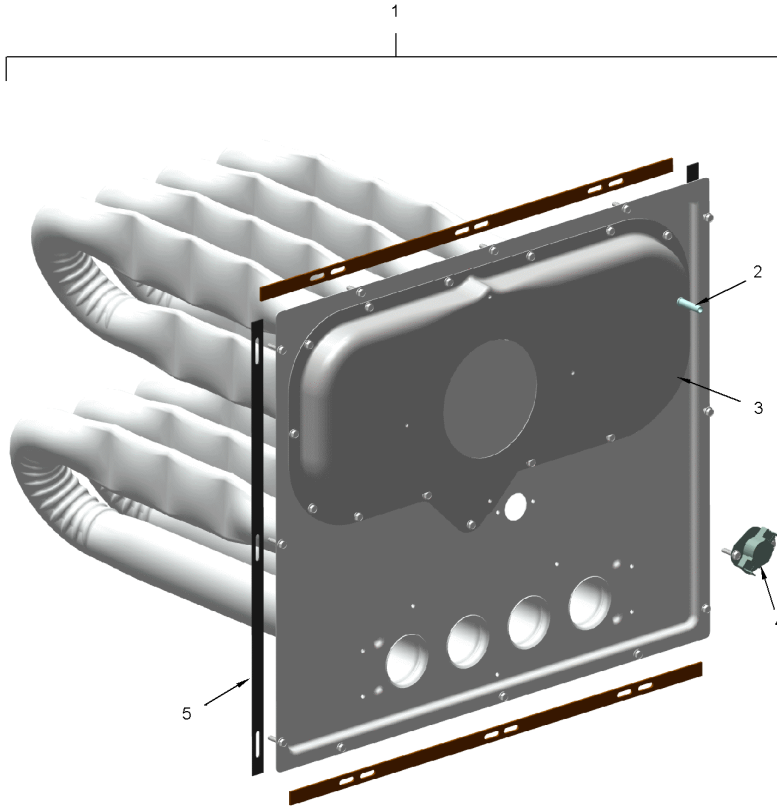
This is a typical illustration. The unit in the field may not appear exactly as shown.

Part No.	Reference No.	Quantity	Description
0000022717~P	*		HEAT EXCHANGER PARTS LIST

HEAT EXCHANGER

75013073

RP
A



The Thermal Limit Switch (TCO) is not included with the Heat Exchanger.

This is a typical illustration. The unit in the field may not appear exactly as shown.

Part No.	Reference No.	Quantity	Description
EXC02997	1	1	EXCHANGER; HX-ASM-80-B80
TUB08301	2	1	TUBE; PRESSURE SWITCH, STAINLESS STEEL, .025 O.D. .035 WALL THK.
BOX03707	3	1	BOX; FLUE, INCLUDES TUB08301
SWT04558	4	1	SWITCH; THERMAL
GKT05000	5	1	GASKET; VESTIBULE GASKETS, ONE SIZE FITS ALL - TRIM TO FIT

Part No.	Reference No.	Quantity	Description
000008617~P	*		MODEL NUMBER GRAPHIC

MODEL NUMBER DESCRIPTION

75013683

REV
B

FURNACE - Ameristar / RunTru

Example Model Number:

A 9 5 2 V 0 8 0 B D 4 S A A A
1 - - - 5 - - - 10 - - - 15

Digit 1 – Brand Name

A = Ameristar / RunTru

Digits 2 & 3 – Model Family (Nominal Efficiency)

80 = 80% Non-Condensing

90 = 90% Condensing

95 = 95% Condensing

Digit 4 – Gas Valve Stages

1 = 1 Stage Gas Valve

2 = 2 Stage Gas Valve

M = Modulating Gas Valve

Digit 5 – Blower Type

P = PSC Motor

X = X13 Constant Torque Motor

V = Variable Speed Motor

Digits 6,7,8 – BTU input (Nominal Heating Capacity)

BTUH/HOUR X 1000

Digit 9 – Cabinet Width

A = 14.0 wide

B = 17.5 wide

C = 21.0 wide

D = 24.5 wide

Digit 10 – Orientation

U = Upflow / Horizontal Right

D = Downflow / Horizontal Left

Digits 11 & 12 – Nominal Cooling Airflow

BTUH/HOUR X 1000

Digit 13 – Major Development Sequence

Digit 14 & 15– Minor Design Sequence / Series - Design Change

Part No.	Reference No.	Quantity	Description
000004453~P	*		OPTIONAL ACCESSORIES LIST

Part No.	Reference No.	Quantity	Description
BAYBASE205	*	1	BASE; SUB ASSEMBLY, DOWNFLOW
BAYFLTR203	*	1	FILTER; FRAMED FILTER KIT ASSY (BAYFLTR203) FOR REPLACEMENT FILTER ONLY USE FLR01611
BAYFLTR206	*	1	FILTER; ACCESS DOOR KIT (DOWNFLOW ONLY)
BAYHANG	*	1	HORIZONTAL HANGER KIT
BAYLIFTB	*	1	KIT-DUAL-RETURN-B-SIZE
BAYLPSS400B	*	1	BAYLPSS400B; LP CONVERSION KIT, INCLUDES (6) STAINLESS BURNERS, SEN02662, KIT01495 & KIT07611
BAYSF1255BAA	*	1	1 INCH SLIM FIT BOX WITH 16X25 MERV 4 FILTER
BAYSWT15AHALTA	*	1	KIT; PRESSURE SWITCH
BAYVENT600A	*	1	KIT- DOWNFLOW ADAPTER
BAYVENT800B	*	1	KIT; MASONRY CHIMNEY
FLRSF1255	*	1	1 INCH FILTER REPLACEMENT (QTY 12)
PIP02095	*	1	PIPE; U-BEND, STEEL, 1/2-14 NPT, 3.42 X 2.00