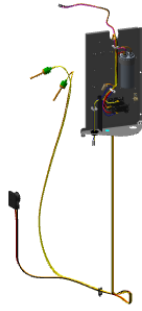


| Part No. | Reference No. | Quantity | Description |
|-----------------|----------------------|-----------------|--------------------------|
| 0000087749~S | * | | CABINET |
| 0000087750~S | * | | CONTROLS |
| 0000087748~S | * | | FAN |
| 0000087747~S | * | | GENERAL |
| 0000101891~S | * | | MODEL NUMBER DESCRIPTION |
| 0000087751~S | * | | REFRIGERATION |

| Part No. | Reference No. | Quantity | Description |
|--------------|---------------|----------|-------------|
| 0000031551~P | * | | CABINET |

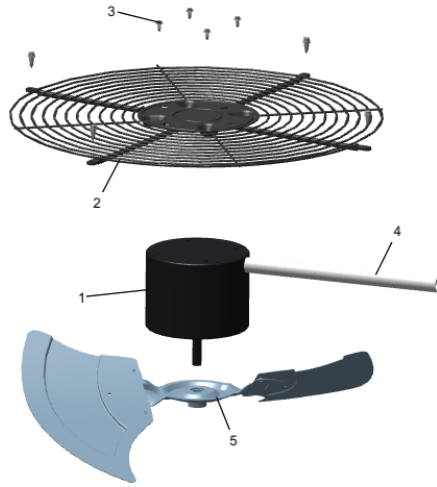
| Part No. | Reference No. | Quantity | Description |
|-----------------|----------------------|-----------------|-----------------------------|
| SCR02010 | * | 41 | SCREW; 12-18 AB HXW 1/2 SN |
| SCR02054 | * | 41 | SCREW; 12-18 AB HXW 1/2 SN |
| COV05851 | 1 | 1 | COVER; TOP SR 3 |
| PNL37024 | 2 | 3 | PANEL; WRAPPER SR 3.2 |
| PAN04335 | 3 | 1 | PAN; BASE SR 3 |
| PNL37032 | 4 | 1 | PANEL; CONTROL SR 3.2 |
| BRK05354 | 5 | 1 | BRACKET; BOTTOM-CONTROLS SR |
| COV05853 | 6 | 1 | COVER; CONTROLS SR |

| Part No. | Reference No. | Quantity | Description |
|--------------|---------------|----------|---------------------|
| 0000033554~P | * | | CONTROLS PARTS LIST |



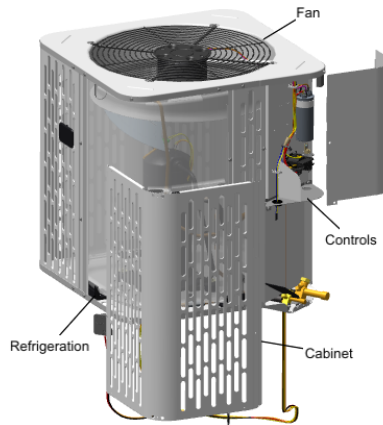
| Part No. | Reference No. | Quantity | Description |
|----------|---------------|----------|--|
| CNT08177 | * | 1 | CONTROL; DEFROST |
| CON00241 | * | 1 | CONNECTOR; WIRE |
| PLU01346 | * | 1 | PLUG; SCROLL COMPRESSOR HARNESS 3T LG |
| SCR01918 | * | 3 | SCREW, 10-24 THREAD ROLL, INDENT HEX WASHER HD |
| SCR01924 | * | 2 | SCREW; 6-32 X .75, THREAD ROLLING SCREWS-ZINC PLATED, HEX WASHER |
| SEN02352 | * | 1 | SENSOR; ASSEMBLY, AMBIENT, 19 IN WIRE LENGTH, -40C TO 105C OP TEMP RANGE, 14 IN WIRE LENGTH, BLACK WIRES |
| SEN02853 | * | 1 | SENSOR; COIL TEMP |
| WIR09851 | * | 1 | WIRE; CONTROL PANEL HARNESS, J4 ON DFC TO MS, TO SOV HARNESS |
| WIR09852 | * | 1 | WIRE; SOV EXT HARNESS |
| CPT01844 | 1 | 1 | CAPACITOR, RUN, 40/5 MFD, 370V, ROUND, W/O RESISTOR |
| LUG00012 | 2 | 1 | LUG, GROUND |
| CTR03142 | 3 | 1 | CONTACTOR; (LUG STYLE) |

| Part No. | Reference No. | Quantity | Description |
|--------------|---------------|----------|----------------|
| 0000033404~P | * | | FAN PARTS LIST |



| Part No. | Reference No. | Quantity | Description |
|-----------------|----------------------|-----------------|---|
| MOT16968 | 1 | 1 | MOTOR; 1/8 HP |
| GRL01347 | 2 | 1 | GRILLE; FAN, 25.51 MOUNTING DIA |
| SCR02086 | 3 | 4 | SCREW; 10-32 TR-3 HXW 3/8 S |
| GRD01440 | 4 | 1 | GUARD; TROUGH-LEAD |
| FAN03657 | 5 | 1 | FAN, 2 SWEPT BLADE, 23" DIA, 24.5 DEGREES PITCH, .50" BORE, CCW, ALUMINUM, 1 SET SCREW-STEEL, SPIDER .075 THK, FINISH/PAINT |

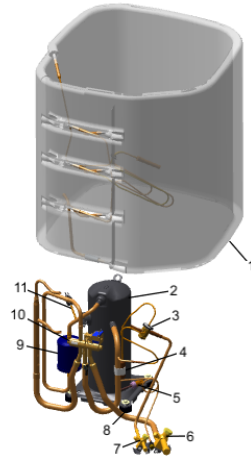
| Part No. | Reference No. | Quantity | Description |
|-------------|---------------|----------|--------------------------|
| 000004381~P | * | | GENERAL ASSEMBLY GRAPHIC |



| Part No. | Reference No. | Quantity | Description |
|-------------|---------------|----------|----------------------|
| 000009817~P | * | | MODEL NUMBER GRAPHIC |

| MODEL NUMBER DESCRIPTION | 75013900 | REV A |
|---|----------|----------|
| OUTDOOR UNITS | | |
| <i>Example Model Number:</i> A 4 C A 4 0 3 6 A 1 0 0 0 A A 1 - - - 5 - - - 10 - - - 15 | | |
| Digit 1 – Brand A = RunTru Brand | | |
| Digit 2 – Refrigerant Type 4 = R410a | | |
| Digit 3,4 – Product Family AC = Air Conditioner HP = Heat Pump | | |
| Digit 5 – Nominal Efficiency Rating 3 = 13 SEER 4 = 14 SEER 6 = 16 SEER | | |
| Digits 6,7,8 – Nominal Capacity BTU/Hour x 1000 | | |
| Digit 9 – Major Design Modifications | | |
| Digit 10 – Electric Power Supply 1 = 200-230/1PH/60Hz or 208-230/1PH/60Hz | | |
| Digit 11,12,13 – Secondary Function 000 = No Secondary Function | | |
| Digit 14 – Minor Design Modifications | | |
| Digit 15 – Unit Parts Identifier | | |
| 1 of 1 | | |

| Part No. | Reference No. | Quantity | Description |
|--------------|---------------|----------|--------------------------|
| 0000033574~P | * | | REFRIGERATION PARTS LIST |



| Part No. | Reference No. | Quantity | Description |
|----------|---------------|----------|---|
| CAP01336 | * | 1 | CAP; SERVICE LIQUID VALVE, BRASS, 0.75 OD X 0.57 ID X 11/16-28UN-2B |
| CLP00223 | * | 1 | CLIP; BULB |
| CLP00233 | * | 1 | CLIP; HOLDING |
| PLU00417 | * | 0 | PLUG; TUBE |
| SCR02010 | * | 4 | SCREW; 12-18 AB HXW 1/2 SN |
| SCR02054 | * | 4 | SCREW; 12-18 AB HXW 1/2 SN |
| SLV00082 | * | 0 | SLEEVE; |
| SLV00083 | * | 0 | SLEEVE; |
| SWT04657 | * | 1 | SWITCH; LOW PRESSURE BZ |
| TER00312 | * | 0 | TERMINAL; 8IN. TIE CABLE |
| TIE00007 | * | 0 | TIE;CABLE |
| TIE00023 | * | 3 | TIE;CABLE, 8.00IN. |
| TUB02810 | * | 8 | TUBE; TRANSITION |
| TUB11547 | * | 8 | TUBE; TRANSITION ASSEMBLY |
| VAL20538 | * | 1 | VALVE-SER LIQ O(06-06) |
| COL29608 | 1 | 0 | COIL; ASM-REPL PACKOUT |
| COM13736 | 2 | 1 | COMPRESSOR; LCA025C1CPA S |
| VAL19424 | 3 | 1 | VALVE; TXV (HXCE-1-ZX200, 86 PSIG) |
| VAL19479 | 6 | 1 | VALVE; SUCTION (SMV-JA6YHTLA-L16) |
| CAP01315 | 7 | 1 | CAP; SERVICE LIQUID VALVE, BRASS, 1.06 OD X 0.81 ID X 15/16-20UNEF-2B |
| MFL00806 | 9 | 1 | MUFFLER; 1/2 ODF CONNECTION (DRIER COULD BE PAINTED EITHER SMOKE GRAY OR NAVY BLUE) |
| VAL08991 | 10 | 1 | VALVE; SWITCHOVER, 3 TON, .50 IDF X .75 OD, W/ 24V SOLENOID COIL |
| SWT03274 | 11 | 1 | SWITCH, HIGH PRESSURE, SPST, OPEN @ 650 PSIG, CLOSE @ 500 PSIG, 75" YELLOW LEAD |