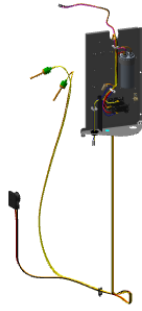


Part No.	Reference No.	Quantity	Description
0000087749~S	*		CABINET
0000087750~S	*		CONTROLS
0000087748~S	*		FAN
0000101891~S	*		MODEL NUMBER DESCRIPTION
0000087751~S	*		REFRIGERATION

Part No.	Reference No.	Quantity	Description
0000030402~P	*		CABINETRY PARTS LIST

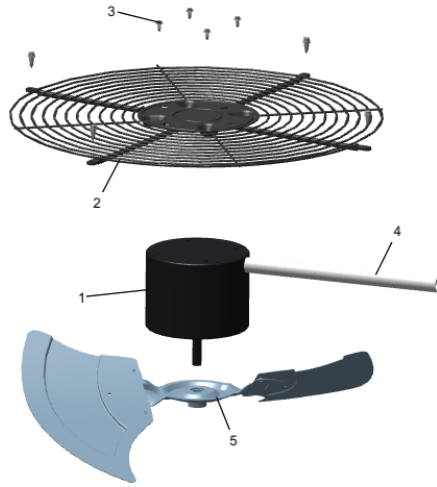
Part No.	Reference No.	Quantity	Description
PAN04335	*	1	PAN; BASE SR 3
SCR02010	*	41	SCREW; 12-18 AB HXW 1/2 SN
SCR02054	*	41	SCREW; 12-18 AB HXW 1/2 SN
COV05851	1	1	COVER; TOP SR 3
PNL37025	2	3	PANEL; WRAPPER SR 3.3
PNL37033	4	1	PANEL; CONTROL SR 3.3
BRK05354	5	1	BRACKET; BOTTOM-CONTROLS SR
COV05853	6	1	COVER; CONTROLS SR

Part No.	Reference No.	Quantity	Description
0000026052~P	*		CONTROLS PARTS LIST



Part No.	Reference No.	Quantity	Description
CNT08177	*	1	CONTROL; DEFROST
CON00241	*	1	CONNECTOR; WIRE
PLU01344	*	1	PLUG; SCROLL COMPRESSOR HARNESS <3T
SCR01918	*	3	SCREW, 10-24 THREAD ROLL, INDENT HEX WASHER HD
SCR01924	*	2	SCREW; 6-32 X .75, THREAD ROLLING SCREWS-ZINC PLATED, HEX WASHER
SEN02352	*	1	SENSOR; ASSEMBLY, AMBIENT, 19 IN WIRE LENGTH, -40C TO 105C OP TEMP RANGE, 14 IN WIRE LENGTH, BLACK WIRES
SEN02853	*	1	SENSOR; COIL TEMP
WIR09851	*	1	WIRE; CONTROL PANEL HARNESS, J4 ON DFC TO MS, TO SOV HARNESS
WIR09852	*	1	WIRE; SOV EXT HARNESS
CPT00977	1	1	CAPACITOR; DUAL, 35/5 MFD, 440V, ROUND, W/O RESISTOR
LUG00012	2	1	LUG, GROUND
CTR03142	3	1	CONTACTOR; (LUG STYLE)

Part No.	Reference No.	Quantity	Description
0000033552~P	*		FAN PARTS LIST

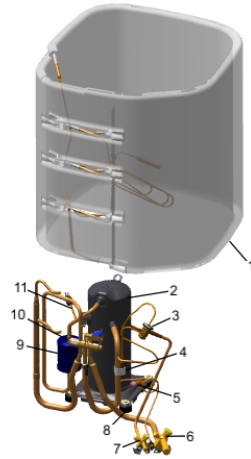


Part No.	Reference No.	Quantity	Description
NUT00845	*	4	NUT; FLANGE NIBBED
MOT19942	1	1	MOTOR; SPEC-VARIABLE SPEED
GRL01348	2	1	GRILLE; FAN, 29 IN DIA, SPIRAL WIRE, BASALT GREY
BLD01362	5	1	BLADE; FAN BASE 4 SWEPT

Part No.	Reference No.	Quantity	Description
000009817~P	*		MODEL NUMBER GRAPHIC

MODEL NUMBER DESCRIPTION	75013900	REV A
OUTDOOR UNITS		
<i>Example Model Number:</i> A 4 C A 4 0 3 6 A 1 0 0 0 A A 1 - - - 5 - - - 10 - - - 15		
Digit 1 – Brand A = RunTru Brand		
Digit 2 – Refrigerant Type 4 = R410a		
Digit 3,4 – Product Family AC = Air Conditioner HP = Heat Pump		
Digit 5 – Nominal Efficiency Rating 3 = 13 SEER 4 = 14 SEER 6 = 16 SEER		
Digits 6,7,8 – Nominal Capacity BTU/Hour x 1000		
Digit 9 – Major Design Modifications		
Digit 10 – Electric Power Supply 1 = 200-230/1PH/60Hz or 208-230/1PH/60Hz		
Digit 11,12,13 – Secondary Function 000 = No Secondary Function		
Digit 14 – Minor Design Modifications		
Digit 15 – Unit Parts Identifier		
1 of 1		

Part No.	Reference No.	Quantity	Description
0000033575~P	*		REFRIGERATION PARTS LIST



Part No.	Reference No.	Quantity	Description
CAP01336	*	1	CAP; SERVICE LIQUID VALVE, BRASS, 0.75 OD X 0.57 ID X 11/16-28UN-2B
CLP00223	*	1	CLIP; BULB
CLP00233	*	1	CLIP; HOLDING
PLU00417	*	0	PLUG; TUBE
SCR02054	*	4	SCREW; 12-18 AB HXW 1/2 SN
SLV00082	*	0	SLEEVE;
SLV00083	*	0	SLEEVE;
SWT04657	*	1	SWITCH; LOW PRESSURE BZ
TER00312	*	0	TERMINAL; 8IN. TIE CABLE
TIE00007	*	0	TIE;CABLE
TIE00023	*	3	TIE;CABLE, 8.00IN.
TUB02810	*	8	TUBE; TRANSITION
TUB11547	*	8	TUBE; TRANSITION ASSEMBLY
VAL20538	*	1	VALVE-SER LIQ O(06-06)
COL31645	1	1	COIL; ASM-REPL PACKOUT
COM13740	2	1	COMPRESSOR; SCROLL, ALLIA
VAL19424	3	1	VALVE; TXV (HXCE-1-ZX200, 86 PSIG)
VAL19479	6	1	VALVE; SUCTION (SMV-JA6YHTLA-L16)
CAP01315	7	1	CAP; SERVICE LIQUID VALVE, BRASS, 1.06 OD X 0.81 ID X 15/16-20UNEF-2B
SCR02010	8	4	SCREW; 12-18 AB HXW 1/2 SN
MFL00806	9	1	MUFFLER; 1/2 ODF CONNECTION (DRIER COULD BE PAINTED EITHER SMOKE GRAY OR NAVY BLUE)
VAL08991	10	1	VALVE; SWITCHOVER, 3 TON, .50 IDF X .75 OD, W/ 24V SOLENOID COIL
SWT03274	11	1	SWITCH, HIGH PRESSURE, SPST, OPEN @ 650 PSIG, CLOSE @ 500 PSIG, 75" YELLOW LEAD