

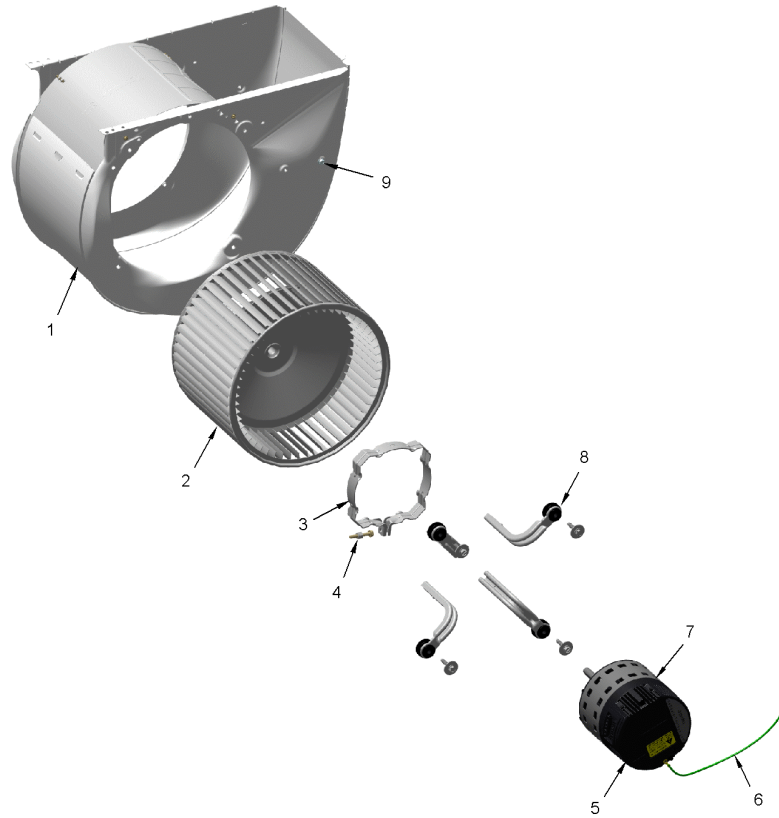
Part No.	Reference No.	Quantity	Description
000086608~S	*		BLOWER
000086609~S	*		CABINET
000086610~S	*		COIL
000086611~S	*		CONTROLS
000088686~S	*		GENERAL ASSEMBLY
0000101893~S	*		MODEL NUMBER DESCRIPTION

Part No.	Reference No.	Quantity	Description
0000017200~P	*		BLOWER PARTS LIST

BLOWER

75012599

RP
A



This is a typical illustration. The unit in the field may not appear exactly as shown.

Part No.	Reference No.	Quantity	Description
HUS04352	1	1	HOUSING; BLOWER, METAL, 12.125 INTERIOR WIDTH
WHL03718	2	1	WHEEL; BLOWER, 11.95 IN DIA, 11.93 IN WIDTH, 0.50 IN BORE, 54 BLADES, CW
BND00932	3	1	BAND; MOTOR MOUNT, 17.62 LENGTH
NUT01063	4a	1	NUT; LOCKING NYLON
SCR01584	4b	1	BOLT; 1/4-20 MA HX 1.5 S
MOD02936	5	1	MODULE; EON, ELECTRONIC MOTOR CONTROL, VARIABLE SPEED PROGRAMMED. MODULE ONLY FOR MOT18591
WIR07840	6	1	WIRE; GROUND, 16 AWG, UL 1015, GREEN, 15 IN LENGTH, RING TERMINALS
MOT18591	7	1	MOTOR; ECM VS MOTOR MODULE SET; 3/4 HP; 115/230 VOLTAGE; PROGRAMMED
MOT19283	8	4	MOUNT; MOTOR MOUNT BRACKET, LEG & SCREW ASM
SCR02081	9	1	SCREW; 10-24 C HXW 1/2 SN

Part No.	Reference No.	Quantity	Description
0000017276~P	*		CABINET PARTS LIST



Part No.	Reference No.	Quantity	Description
CBT01903	1	1	CABINET; WRAPPER
COV05905	2	1	COVER; TOP
SUP06391	4	1	SUPPORT; BLOWER SHELF, 13.57 X 25.95 X 7.94
PNL37520	6	1	PANEL; BLOWER
PNL37517	7	1	PANEL; INSUL ASM-COIL
PNL36863	8	1	PANEL; INSUL ASM-LINE SET
GRM00863	9	1	GROMMET; SUCTION GROMMET
GRM00864	10	1	GROMMET; CONE GROMMET, LIQUID LINE
SUP05928	11	1	SUPPORT; CROSSMEMBER, MIDDLE
SUP05662	12	1	SUPPORT; COIL SHIELD, RIGHT, 20.04 X 7.72
BRK04543	13	1	BRACKET; CROSSMEMBER SUPPORT, BOTTOM, 26.37 X 1.00
SUP05661	14	1	SUPPORT; COIL SHIELD, LEFT, 20.04 X 7.72

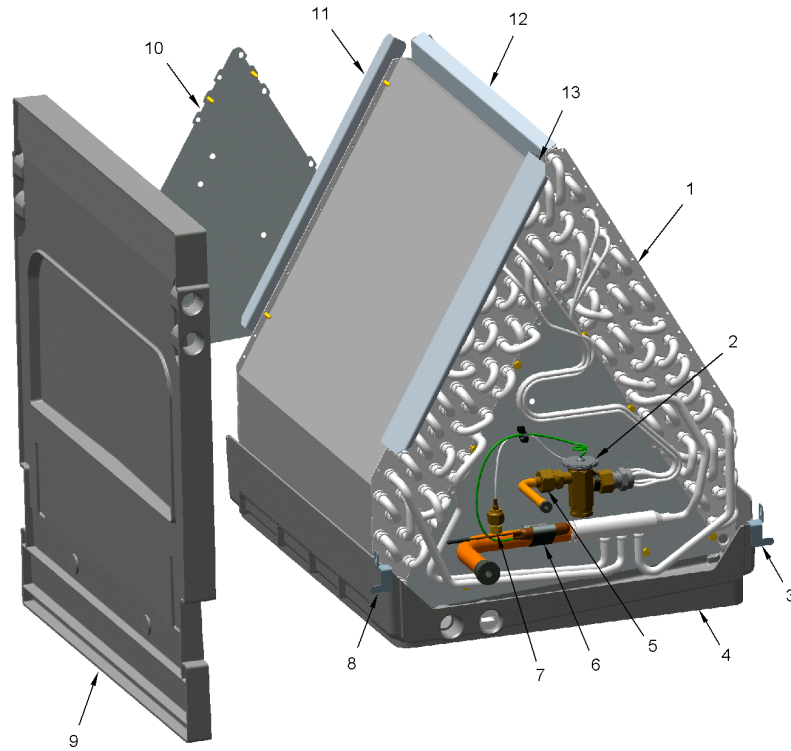
Part No.	Reference No.	Quantity	Description
0000017216~P	*		COIL PARTS LIST

COIL

75010771

REV.
A

TYPICAL ILLUSTRATION



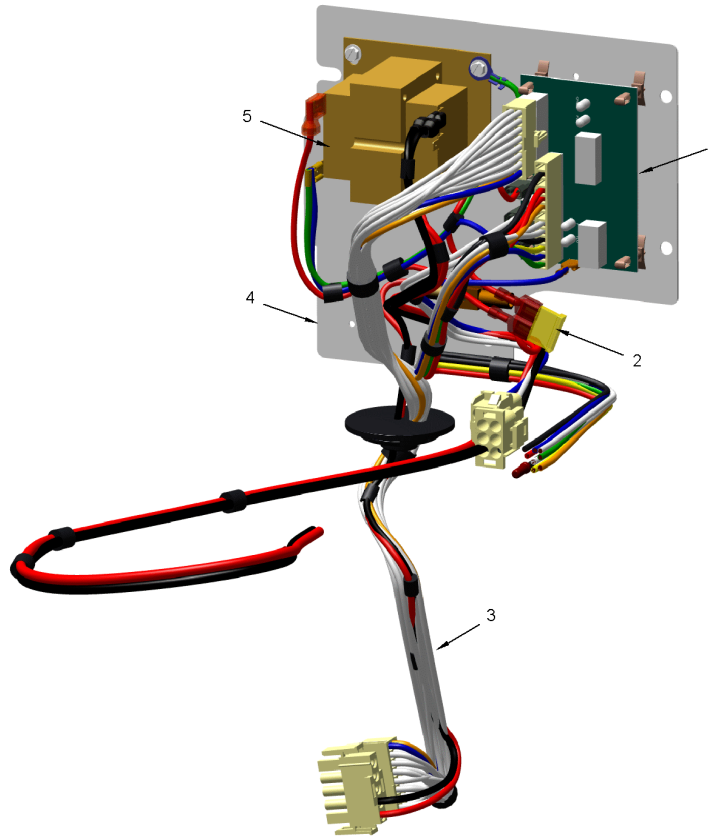
Part No.	Reference No.	Quantity	Description
PLU01169	*	3	PLUG; THREADED 3/4
COL25336	1	1	COIL; ASSEMBLY, INCLUDES DRAINPAN BUT NOT TXV
VAL11800	2	1	VALVE; TEV HXCE 6 KX200 B15 R410A
BRK04501	3	1	BRACKET; COIL, 1.73 X 1.00 X 0.46, RIGHT SIDE
PAN03868	4	1	PAN; DRAIN, UPFLOW, 24.50 X 20.28
NUT01223	5a	1	NUT; HEX NUT, 7/8, 3/4-20-2B UNEF THREAD
TUB13534	5b	1	TUBE; ASSEMBLY, LIQUID, INCLUDES A 100 MESH PUSH-IN STYLE INLET STRAINER
CLP00182	6	1	CLIP, EXPANSION VALVE
BOD00114	7	1	BODY; VALVE, BRASS, 7/16 HEX, 7/16 -20 UNF-2A
BRK04500	8	1	BRACKET; COIL, 1.73 X 1.00 X 0.46, LEFT SIDE
PAN03869	9	1	PAN; DRAIN, HORIZONTAL, 30.54 X 20.38
BAF01414	10	2	BAFFLE; COIL, 22.96 W X 20.09 H
DIV00334	11	1	DIVERTER; COIL, REAR, 1.04 X 0.77 X 18.75
DIV00332	12	1	DIVERTER; COIL, 16.38 X 1.20 X 0.57
DIV00330	13	1	DIVERTER, COIL

Part No.	Reference No.	Quantity	Description
0000017176~P	*		CONTROLS PARTS LIST

CONTROLS

75012651

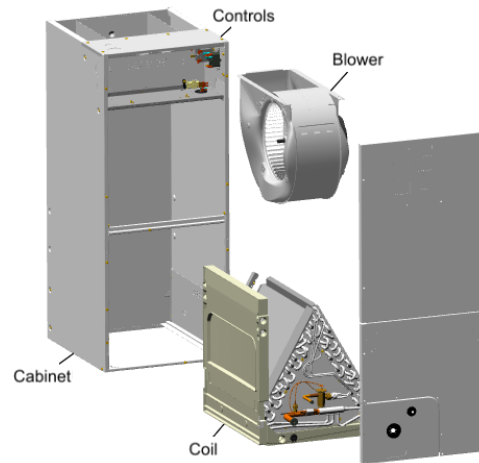
RP
A



This is a typical illustration. The unit in the field may not appear exactly as shown.

Part No.	Reference No.	Quantity	Description
CNT03600	1	1	CONTROL; ICM FAN, PWB, 16 PIN
FUS01089	2	1	FUSE; 5 AMP, TAN, AUTOMOTIVE STYLE
WIR07781	3	1	WIRE; HARNESS ASM VS
PLT05625	4	1	PLATE; CONTROL, 7.38 X 6.69
TRR01557	5	1	TRANSFORMER; 40VA, 200/230V PRI, 24V SEC

Part No.	Reference No.	Quantity	Description
000004267~P	*		GENERAL ASSEMBLY GRAPHIC



Part No.	Reference No.	Quantity	Description
000009818~P	*		MODEL NUMBER GRAPHIC

MODEL NUMBER DESCRIPTION

75013901

REV
A

AIR HANDLER

Example Model Number:

A 4 A H 4 P 2 4 A 1 B 3 0 A A
1 - - - 5 - - - 10 - - - 15

Digit 1 – Brand

A = RunTru Brand

Digit 2 – Refrigerant Type

4 = R410a

Digit 3,4 – Product Family

AH = Air Handler Unit

Digit 5 – Nominal Efficiency Rating

4 = 14 SEER

6 = 16 SEER

Digits 6 – Blower Type

P = PSC

V = Variable Speed

E = Constant Torque ECM

Digit 7,8 – Nominal Capacity

BTU/HOUR x 1000

Digit 9 – Major Development Sequence

Digit 10 – Electric Power Supply

1 = 200-230/1PH/60Hz or 208-230/1PH/60Hz

Digit 11 – Cabinet Width Size

B = 18"

C = 23.5"

D = 26.5"

Digit 12 – Refrigerant Control

3 = TXV Non-Bleed

6 = FCCV (Flow Control/Check Valve)

Digit 13 – Placeholder

0 - Nothing/Blank

Digit 14 – Minor Design Modifications

Digit 15 – Unit Parts Identifier

