

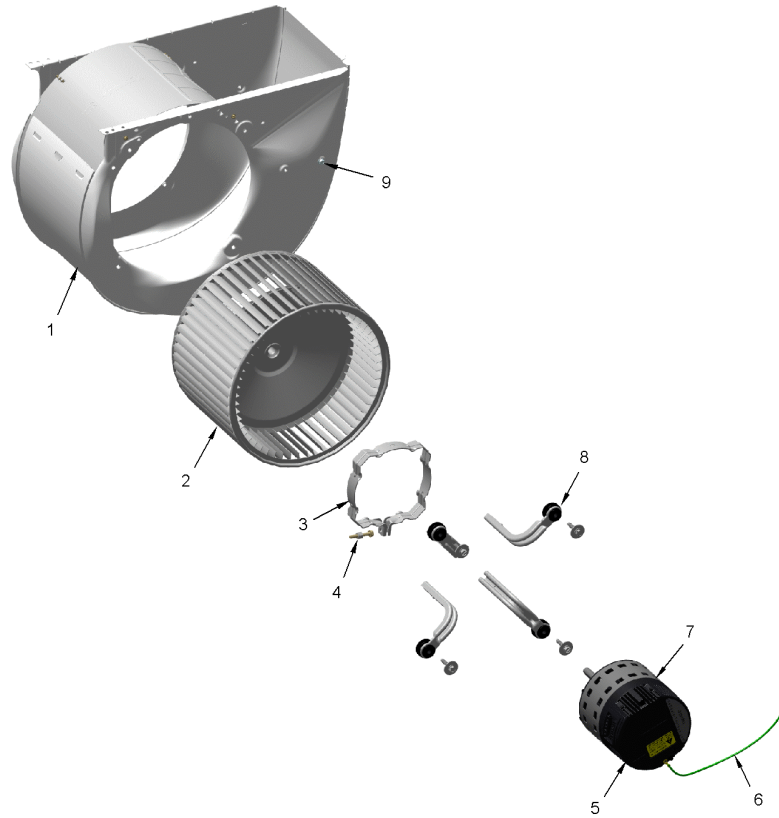
<b>Part No.</b>	<b>Reference No.</b>	<b>Quantity</b>	<b>Description</b>
000086608~S	*		BLOWER
000086609~S	*		CABINET
000086610~S	*		COIL
000086611~S	*		CONTROLS
000088686~S	*		GENERAL ASSEMBLY
0000101893~S	*		MODEL NUMBER DESCRIPTION

Part No.	Reference No.	Quantity	Description
0000017199~P	*		BLOWER PARTS LIST

BLOWER

75012599

RP  
A



This is a typical illustration. The unit in the field may not appear exactly as shown.

Part No.	Reference No.	Quantity	Description
HUS04352	1	1	HOUSING; BLOWER, METAL, 12.125 INTERIOR WIDTH
WHL03718	2	1	WHEEL; BLOWER, 11.95 IN DIA, 11.93 IN WIDTH, 0.50 IN BORE, 54 BLADES, CW
BND00932	3	1	BAND; MOTOR MOUNT, 17.62 LENGTH
NUT01063	4a	1	NUT; LOCKING NYLON
SCR01584	4b	1	BOLT; 1/4-20 MA HX 1.5 S
MOD02935	5	1	MODULE; EON, ELECTRONIC MOTOR CONTROL, VARIABLE SPEED PROGRAMMED. MODULE ONLY FOR MOT18591.
WIR07840	6	1	WIRE; GROUND, 16 AWG, UL 1015, GREEN, 15 IN LENGTH, RING TERMINALS
MOT18590	7	1	MOTOR; ECM VS MOTOR MODULE SET; 3/4 HP; 115/230 VOLTAGE; PROGRAMMED
MOT19283	8	4	MOUNT; MOTOR MOUNT BRACKET, LEG & SCREW ASM
SCR02081	9	1	SCREW; 10-24 C HXW 1/2 SN

Part No.	Reference No.	Quantity	Description
0000027467~P	*		CABINET PARTS LIST



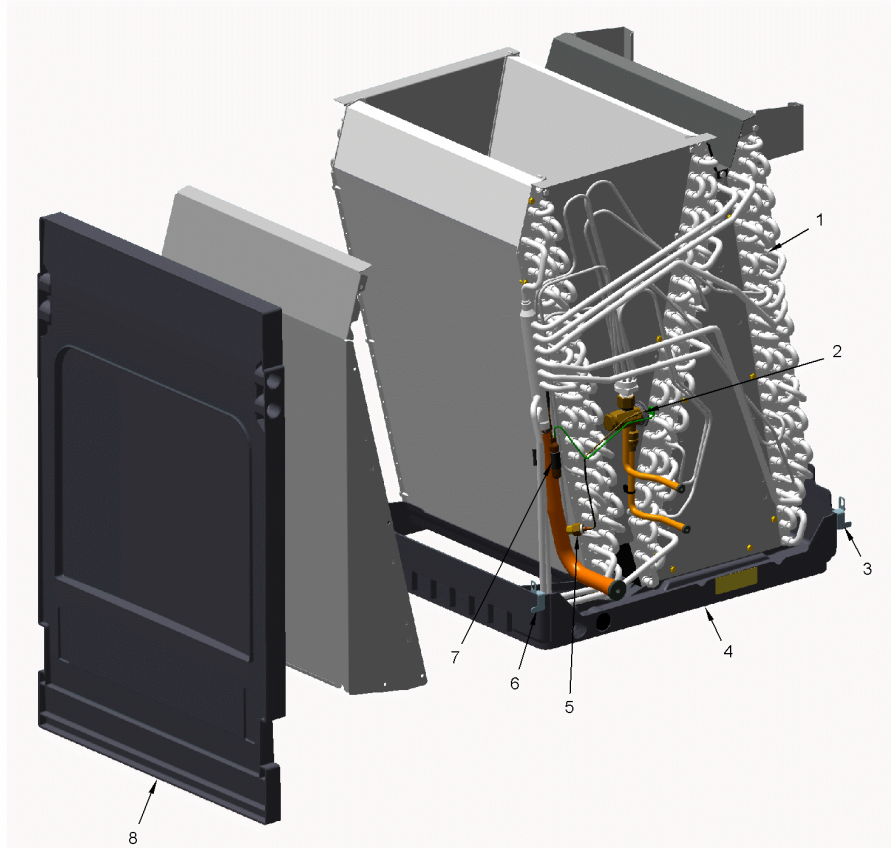
<b>Part No.</b>	<b>Reference No.</b>	<b>Quantity</b>	<b>Description</b>
CBT01905	1	1	CABINET; WRAPPER
PNL37518	2	1	PANEL; INSUL ASM-COIL
SUP06390	4	1	SUPPORT; BLOWER SHELF, 13.57 X 22.95 X 7.94
PNL36872	6	1	PANEL; INSUL ASM-TOP COVER
PNL37519	7	1	PANEL; INSUL ASM-LINE SET
PNL36865	8	1	PANEL; INSUL ASM-BLOWER
GRM00863	9	1	GROMMET; SUCTION GROMMET
GRM00864	10	1	GROMMET; CONE GROMMET, LIQUID LINE
SUP05666	11	1	SUPPORT; CROSSMEMBER, MIDDLE, 22.39 L
SUP05662	12	1	SUPPORT; COIL SHIELD, RIGHT, 20.04 X 7.72
SUP05664	13	1	SUPPORT; CROSSMEMBER, BOTTOM, 23.37 L
SUP05661	14	1	SUPPORT; COIL SHIELD, LEFT, 20.04 X 7.72

Part No.	Reference No.	Quantity	Description
000009078~P	*		COIL PARTS LIST

COIL

75011284

REV.  
A



This is a typical illustration. The unit in the field may not appear exactly as shown.

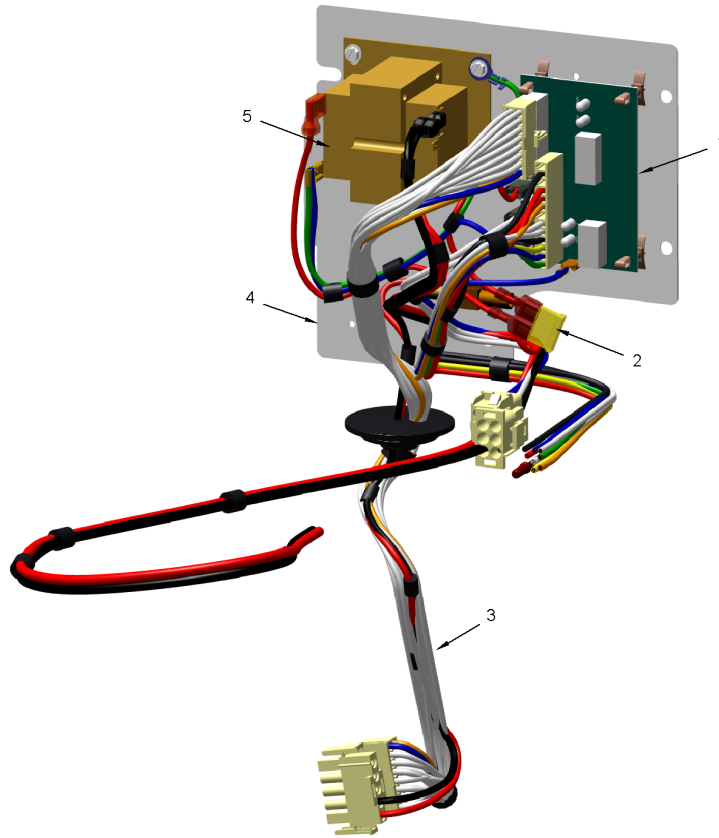
Part No.	Reference No.	Quantity	Description
COL26130	1	1	COIL; N COIL, 3 SLABS, ASSEMBLY, INCLUDES DRAINPAN BUT NOT TXV
VAL12342	2a	1	VALVE; TXV CHATLEFF, 6 TON, 79/124 PSIG OUTLET, 15 PRECENT BLEED PORT
NUT01223	2b	1	NUT; HEX NUT, 7/8, 3/4-20-2B UNEF THREAD
PAN03961	4a	1	PAN; DRAIN, 20.36 X 21.57
PLU01169	4b	1	PLUG; THREADED 3/4
BOD00114	5	1	BODY; VALVE, BRASS, 7/16 HEX, 7/16 -20 UNF-2A
BRK04500	6	1	BRACKET; COIL, 1.73 X 1.00 X 0.46, LEFT SIDE
CLP00182	7	1	CLIP, EXPANSION VALVE
PAN03869	8a	1	PAN; DRAIN, HORIZONTAL, 30.54 X 20.38
PLU01169	8b	2	PLUG; THREADED 3/4
BRK04471	8c	1	BRACKET; DRAIN PAN CLIP

Part No.	Reference No.	Quantity	Description
0000017176~P	*		CONTROLS PARTS LIST

CONTROLS

75012651

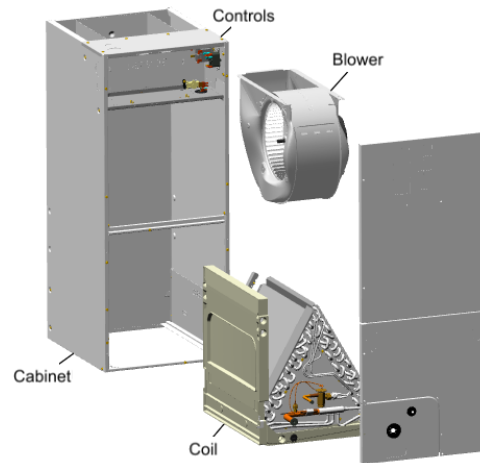
RP  
A



This is a typical illustration. The unit in the field may not appear exactly as shown.

<b>Part No.</b>	<b>Reference No.</b>	<b>Quantity</b>	<b>Description</b>
CNT03600	1	1	CONTROL; ICM FAN, PWB, 16 PIN
FUS01089	2	1	FUSE; 5 AMP, TAN, AUTOMOTIVE STYLE
WIR07781	3	1	WIRE; HARNESS ASM VS
PLT05625	4	1	PLATE; CONTROL, 7.38 X 6.69
TRR01557	5	1	TRANSFORMER; 40VA, 200/230V PRI, 24V SEC

Part No.	Reference No.	Quantity	Description
000004267~P	*		GENERAL ASSEMBLY GRAPHIC



Part No.	Reference No.	Quantity	Description
000009818~P	*		MODEL NUMBER GRAPHIC

MODEL NUMBER DESCRIPTION

75013901

REV  
A

AIR HANDLER

*Example Model Number:*

**A 4 A H 4 P 2 4 A 1 B 3 0 A A**  
1 - - - 5 - - - 10 - - - 15

**Digit 1 – Brand**

A = RunTru Brand

**Digit 2 – Refrigerant Type**

4 = R410a

**Digit 3,4 – Product Family**

AH = Air Handler Unit

**Digit 5 – Nominal Efficiency Rating**

4 = 14 SEER

6 = 16 SEER

**Digits 6 – Blower Type**

P = PSC

V = Variable Speed

E = Constant Torque ECM

**Digit 7,8 – Nominal Capacity**

BTU/HOUR x 1000

**Digit 9 – Major Development Sequence**

**Digit 10 – Electric Power Supply**

1 = 200-230/1PH/60Hz or 208-230/1PH/60Hz

**Digit 11 – Cabinet Width Size**

B = 18"

C = 23.5"

D = 26.5"

**Digit 12 – Refrigerant Control**

3 = TXV Non-Bleed

6 = FCCV (Flow Control/Check Valve)

**Digit 13 – Placeholder**

0 - Nothing/Blank

**Digit 14 – Minor Design Modifications**

**Digit 15 – Unit Parts Identifier**

