

Part No.	Reference No.	Quantity	Description
0000159611~S	*		AIR HANDLER PARTS LIST
0000150249~S	*		BLOWER PARTS LIST
0000150251~S	*		COIL PARTS LIST
0000150252~S	*		CONTROLS PARTS LIST
0000150248~S	*		GENERAL ASSEMBLY
0000150254~S	*		MODEL NUMBER DESCRIPTION

Part No.	Reference No.	Quantity	Description
0000027036~P	*		AIR HANDLER PARTS LIST



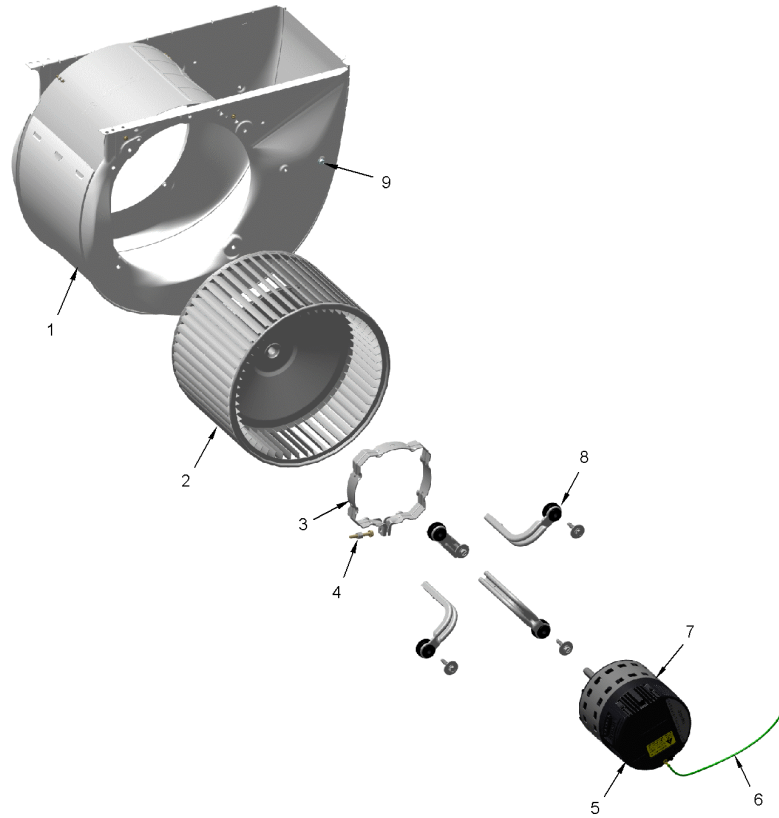
Part No.	Reference No.	Quantity	Description
BRK04471	*	1	BRACKET; DRAIN PAN CLIP
BRK04500	*	1	BRACKET; COIL, 1.73 X 1.00 X 0.46, LEFT SIDE
BRK04501	*	1	BRACKET; COIL, 1.73 X 1.00 X 0.46, RIGHT SIDE
BRK05028	*	4	BRACKET; MOTOR MOUNT, 3.28 X 4.55, INCLUDES GROMMET
MOT18588	*	1	MOTOR; ECM VS MOTOR MODULE SET; 1/2 HP; 115/230 VOLTAGE; PROGRAMMED
NUT01063	*	1	NUT; LOCKING NYLON
NUT01223	*	1	NUT; HEX NUT, 7/8, 3/4-20-2B UNEF THREAD
SCR01510	*	63	SCREW; 10-16 AB HXW 1/2 SN
SCR02081	*	1	SCREW; 10-24 C HXW 1/2 SN
SCR02108	*	13	SCREW; SCR 10-16 AB HXW 5/8 S
SUP05663	*	1	SUPPORT; CROSSMEMBER, BOTTOM, 18.37 L
PNL37516	1	1	PANEL; INSUL ASM-COIL
PNL36864	2	1	PANEL; INSUL ASM-BLOWER
SUP06388	3	1	SUPPORT; BLOWER SHELF, 13.57 X 17.95 X 7.94
PNL36871	4	1	PANEL; INSUL ASM-TOP COVER
SUP05665	9	1	SUPPORT; CROSSMEMBER, MIDDLE, 17.39 L
SUP05662	10	1	SUPPORT; COIL SHIELD, RIGHT, 20.04 X 7.72
SUP05661	11	1	SUPPORT; COIL SHIELD, LEFT, 20.04 X 7.72

Part No.	Reference No.	Quantity	Description
0000026904~P	*		BLOWER PARTS LIST

BLOWER

75012599

RP
A



This is a typical illustration. The unit in the field may not appear exactly as shown.

Part No.	Reference No.	Quantity	Description
BRK05028	*	4	BRACKET; MOTOR MOUNT, 3.28 X 4.55, INCLUDES GROMMET
TIE00023	*	1	TIE;CABLE, 8.00IN.
HUS04351	1	1	HOUSING; BLOWER, METAL, 8.325 INTERIOR WIDTH
WHL02916	2	1	WHEEL; BLOWER, 11 IN DIA, 8 IN WIDTH, 0.50 IN BORE, CW
BND00932	3	1	BAND; MOTOR MOUNT, 17.62 LENGTH
NUT01063	4	1	NUT; LOCKING NYLON
MOD02933	5	1	MODULE; EON, ELECTRONIC MOTOR CONTROL, VARIABLE SPEED PROGRAMMED. MODULE ONLY FOR MOT18589.
WIR07840	6	1	WIRE; GROUND, 16 AWG, UL 1015, GREEN, 15 IN LENGTH, RING TERMINALS
MOT18588	7	1	MOTOR; ECM VS MOTOR MODULE SET; 1/2 HP; 115/230 VOLTAGE; PROGRAMMED
MOT19283	8	4	MOUNT; MOTOR MOUNT BRACKET, LEG & SCREW ASM
SCR02081	9	1	SCREW; 10-24 C HXW 1/2 SN

Parts List Number :0000150202

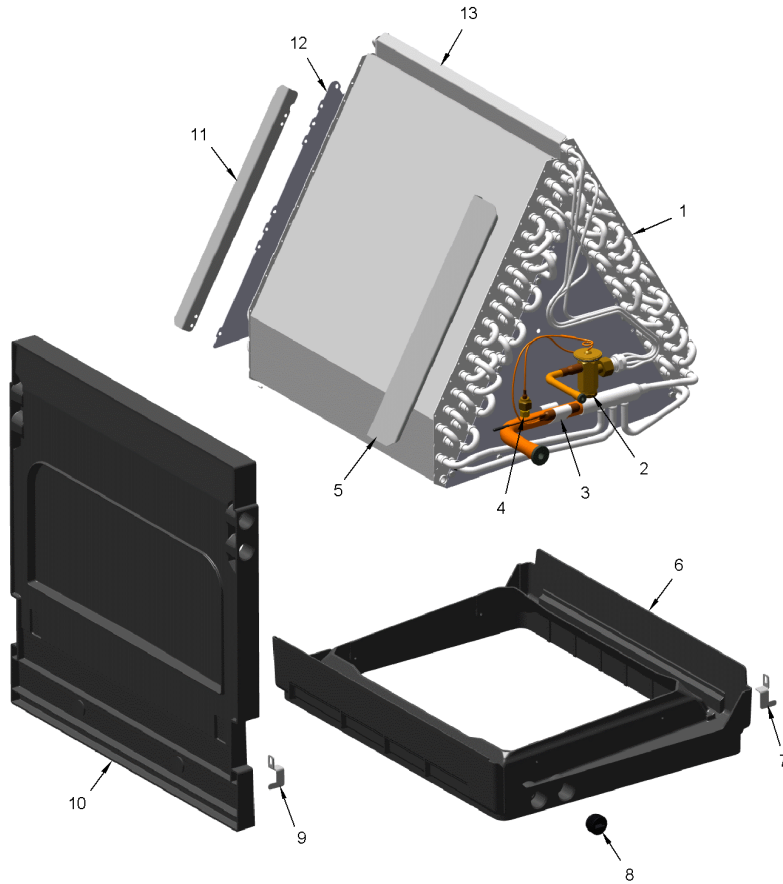
Model Number :A4AH6V30A1B30BA

Part No.	Reference No.	Quantity	Description
0000026916~P	*		COIL PARTS LIST

COIL

75012598

RP
A



This is a typical illustration. The unit in the field may not appear exactly as shown.

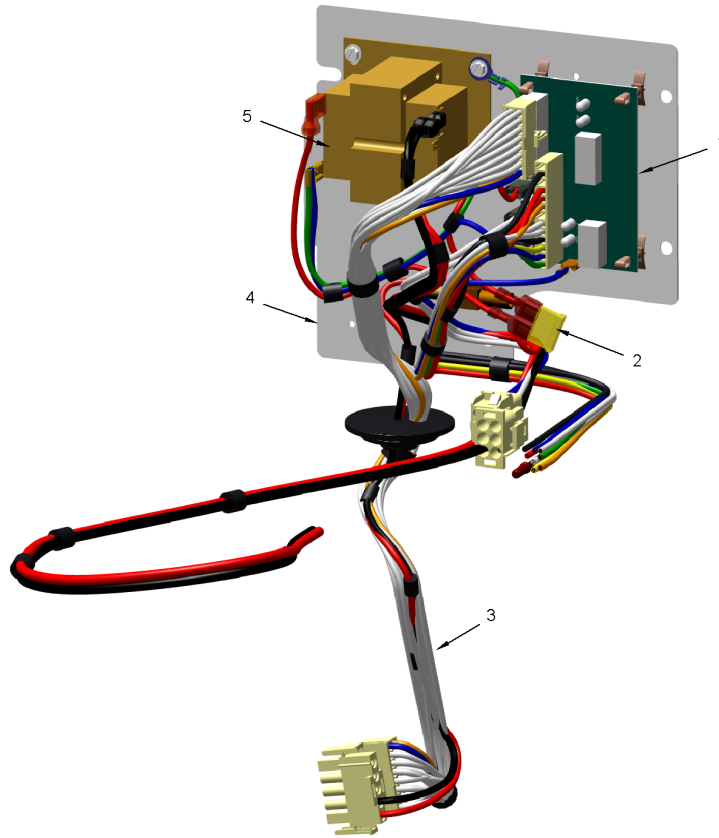
Part No.	Reference No.	Quantity	Description
COL31101	*	1	COIL, BLK EPOXY; ASSEMBLY, INCLUDES DRAIN PAN & TXV
COL31306	*	1	COIL; ASSEMBLY, INCLUDES DRAIN PAN & TXV
PAN03870	*	1	PAN; DRAIN, HORIZONTAL, 22.42 X 20.38
PAN04389	*	1	PAN; UPFLOW DRAIN PAN ASM, B WIDTH
VAL20695	*	1	VALVE; EXPANSION
NUT01223	1	1	NUT; HEX NUT, 7/8, 3/4-20-2B UNEF THREAD
TIE00026	2	1	TIE; CABLE, 8-1/2IN.
TUB14354	3	1	TUBE; LIQUID TUBE ASSEMBLY
CLP00200	4	1	CLIP; BULB
SCR01510	5	24	SCREW; 10-16 AB HXW 1/2 SN
PLU01169	6	1	PLUG; THREADED 3/4
BOD00114	7	1	BODY; VALVE, BRASS, 7/16 HEX, 7/16 -20 UNF-2A

Part No.	Reference No.	Quantity	Description
0000026951~P	*		CONTROLS PARTS LIST

CONTROLS

75012651

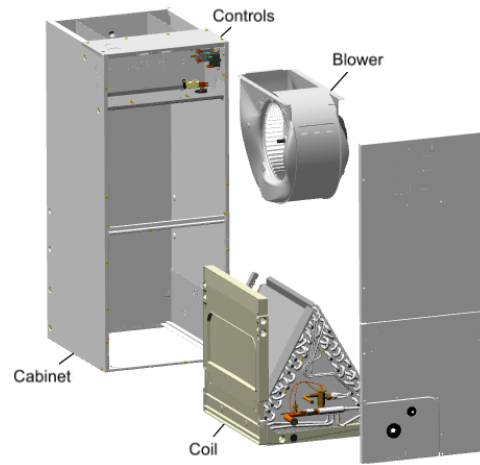
RP
A



This is a typical illustration. The unit in the field may not appear exactly as shown.

Part No.	Reference No.	Quantity	Description
TIE00023	*	2	TIE;CABLE, 8.00IN.
CNT03600	1	1	CONTROL; ICM FAN, PWB, 16 PIN
FUS01089	2	1	FUSE; 5 AMP, TAN, AUTOMOTIVE STYLE
WIR07781	3	1	WIRE; HARNESS ASM VS
PLT05625	4	1	PLATE; CONTROL, 7.38 X 6.69
TRR01557	5	1	TRANSFORMER; 40VA, 200/230V PRI, 24V SEC

Part No.	Reference No.	Quantity	Description
0000004267~P	*		GENERAL ASSEMBLY GRAPHIC



Part No.	Reference No.	Quantity	Description
000009818~P	*		MODEL NUMBER GRAPHIC

MODEL NUMBER DESCRIPTION

75013901

REV
A

AIR HANDLER

Example Model Number:

A 4 A H 4 P 2 4 A 1 B 3 0 A A
1 - - - 5 - - - 10 - - - 15

Digit 1 – Brand

A = RunTru Brand

Digit 2 – Refrigerant Type

4 = R410a

Digit 3,4 – Product Family

AH = Air Handler Unit

Digit 5 – Nominal Efficiency Rating

4 = 14 SEER

6 = 16 SEER

Digits 6 – Blower Type

P = PSC

V = Variable Speed

E = Constant Torque ECM

Digit 7,8 – Nominal Capacity

BTU/HOUR x 1000

Digit 9 – Major Development Sequence

Digit 10 – Electric Power Supply

1 = 200-230/1PH/60Hz or 208-230/1PH/60Hz

Digit 11 – Cabinet Width Size

B = 18"

C = 23.5"

D = 26.5"

Digit 12 – Refrigerant Control

3 = TXV Non-Bleed

6 = FCCV (Flow Control/Check Valve)

Digit 13 – Placeholder

0 - Nothing/Blank

Digit 14 – Minor Design Modifications

Digit 15 – Unit Parts Identifier

