

Parts List Number :000086443

Model Number :A4AH6E19A1B30AA

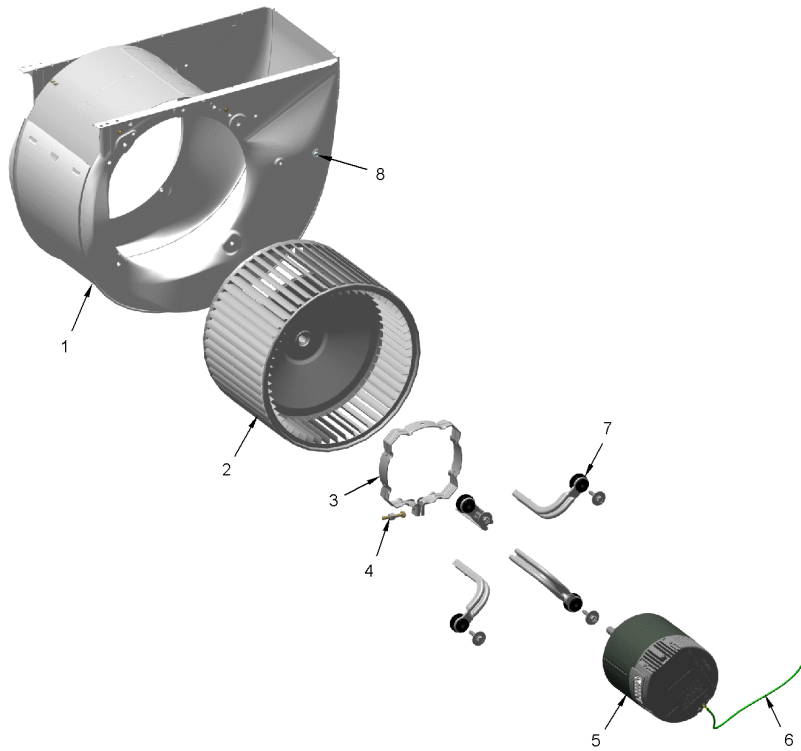
Part No.	Reference No.	Quantity	Description
0000086608~S	*		BLOWER
0000086609~S	*		CABINET
0000086610~S	*		COIL
0000086611~S	*		CONTROLS
0000088686~S	*		GENERAL ASSEMBLY
0000101893~S	*		MODEL NUMBER DESCRIPTION

Part No.	Reference No.	Quantity	Description
000009057~P	*		BLOWER PARTS LIST

BLOWER

75012600

RP
A



This is a typical illustration. The unit in the field may not appear exactly as shown.

Part No.	Reference No.	Quantity	Description
HUS04351	1	1	HOUSING; BLOWER, METAL, 8.325 INTERIOR WIDTH
WHL02916	2	1	WHEEL; BLOWER, 11 IN DIA, 8 IN WIDTH, 0.50 IN BORE, CW
BND00917	3	1	BAND; BELLY BAND ASSEMBLY, INCLUDES BAND, MOTOR LEGS, MOUNTING HARDWARE
NUT01063	4	1	NUT; LOCKING NYLON
MOT19582	5	1	MOTOR; CONSTANT TORQUE, PROGRAMMED, 1/3 HP, 208-230/60/1, 48 FRAME, BALL BEARING
WIR07840	6a	1	WIRE; GROUND, 16 AWG, UL 1015, GREEN, 15 IN LENGTH, RING TERMINALS
SCR02081	6b	1	SCREW; 10-24 C HXW 1/2 SN
BRK05028	7	4	BRACKET; MOTOR MOUNT, 3.28 X 4.55, INCLUDES GROMMET

Part No.	Reference No.	Quantity	Description
000002643~P	*		CABINET PARTS LIST



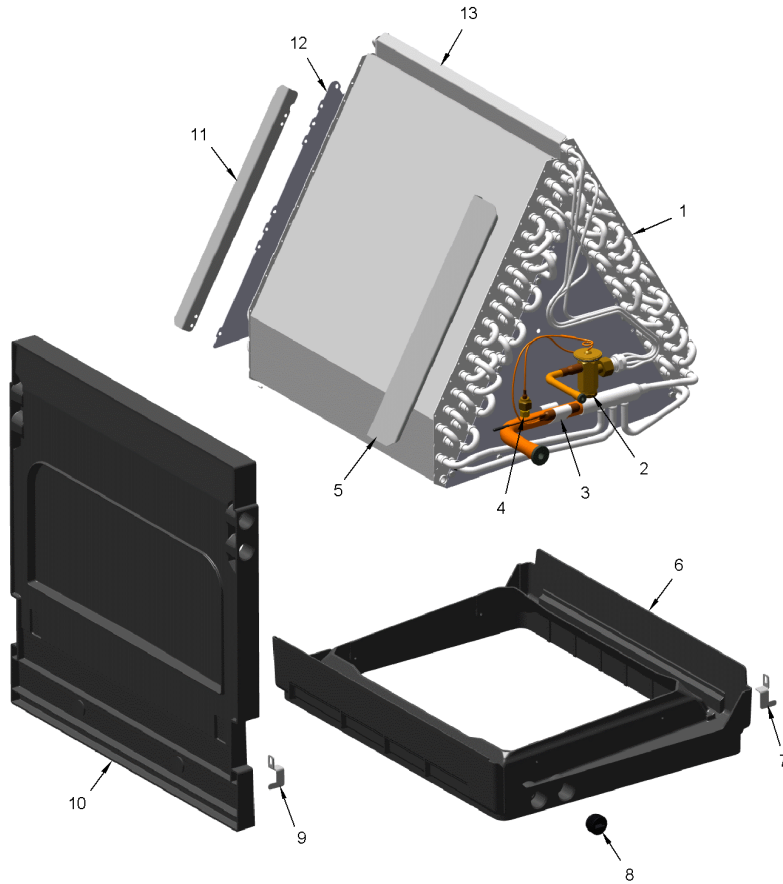
Part No.	Reference No.	Quantity	Description
PNL36869	1	1	PANEL; INSUL ASM-WRAPPER
PNL36871	2	1	PANEL; INSUL ASM-TOP COVER
SUP06388	4	1	SUPPORT; BLOWER SHELF, 13.57 X 17.95 X 7.94
PNL36864	6	1	PANEL; INSUL ASM-BLOWER
PNL36860	7	1	PANEL; INSUL ASM-COIL
PNL36862	8	1	PANEL; INSUL ASM-LINE SET
GRM00863	9	1	GROMMET; SUCTION GROMMET
GRM00864	10	1	GROMMET; CONE GROMMET, LIQUID LINE
SUP05665	11	1	SUPPORT; CROSSMEMBER, MIDDLE, 17.39 L
SUP05662	12	1	SUPPORT; COIL SHIELD, RIGHT, 20.04 X 7.72
SUP05663	13	1	SUPPORT; CROSSMEMBER, BOTTOM, 18.37 L
SUP05661	14	1	SUPPORT; COIL SHIELD, LEFT, 20.04 X 7.72

Part No.	Reference No.	Quantity	Description
000002644~P	*		COIL PARTS LIST

COIL

75012598

RP
A



This is a typical illustration. The unit in the field may not appear exactly as shown.

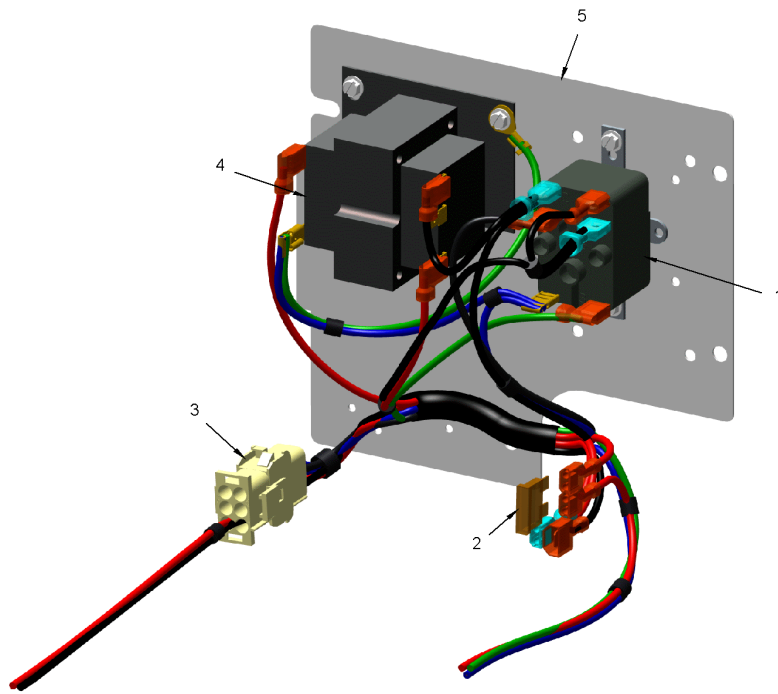
Part No.	Reference No.	Quantity	Description
BRK04471	*	1	BRACKET; DRAIN PAN CLIP
COL31304	1	1	COIL; ASSEMBLY, INCLUDES DRAIN PAN & TXV
COL31099	1A	1	COIL, BLK EPOXY; ASSEMBLY, INCLUDES DRAIN PAN & TXV
VAL12375	2a	1	VALVE; TEV HXCE 2 ZX200 B15 R410A
WAS01180	2b	1	WASHER; TEFLON, 0.46 ID X 0.56 OD X 0.056 THK
VAL11798	2c	1	VALVE; TEV HXCE 3 KX200 B15 R410A
CLP00200	3	1	CLIP; BULB
BOD00114	4	1	BODY; VALVE, BRASS, 7/16 HEX, 7/16 -20 UNF-2A
DIV00331	5	1	DIVERTER, COIL
PAN03384	6	1	PAN; DRAIN, UPFLOW, 16.50 X 20.07
BRK04501	7	1	BRACKET; COIL, 1.73 X 1.00 X 0.46, RIGHT SIDE
PLU01169	8	1	PLUG; THREADED 3/4
BRK04500	9	1	BRACKET; COIL, 1.73 X 1.00 X 0.46, LEFT SIDE
PAN03386	10a	1	PAN; DRAIN, HORIZONTAL, 20.67 X 20.38
PLU01169	10b	2	PLUG; THREADED 3/4
DIV00338	11	1	DIVERTER; COIL REAR
BAF01413	12	2	BAFFLE; COIL
DIV00332	13	1	DIVERTER; COIL, 16.38 X 1.20 X 0.57

Part No.	Reference No.	Quantity	Description
0000017156~P	*		CONTROLS PARTS LIST

CONTROLS

75012597

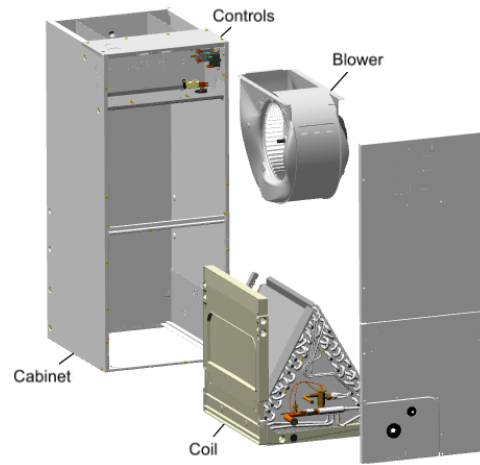
RP
A



This is a typical illustration. The unit in the field may not appear exactly as shown.

Part No.	Reference No.	Quantity	Description
FUS01089	2	1	FUSE; 5 AMP, TAN, AUTOMOTIVE STYLE
WIR09455	3	1	WIRE; HARNESS ASM-CTM
TRR01557	4	1	TRANSFORMER; 40VA, 200/230V PRI, 24V SEC
PLT05625	5	1	PLATE; CONTROL, 7.38 X 6.69

Part No.	Reference No.	Quantity	Description
000004267~P	*		GENERAL ASSEMBLY GRAPHIC



MODEL NUMBER DESCRIPTION
Parts List Number :0000086443
Model Number :A4AH6E19A1B30AA

Part No.	Reference No.	Quantity	Description
000009818~P	*		MODEL NUMBER GRAPHIC

MODEL NUMBER DESCRIPTION	75013901	REV A
AIR HANDLER		
<i>Example Model Number:</i> A 4 A H 4 P 2 4 A 1 B 3 0 A A 1 - - - 5 - - - 10 - - - 15		
Digit 1 – Brand A = RunTru Brand		
Digit 2 – Refrigerant Type 4 = R410a		
Digit 3,4 – Product Family AH = Air Handler Unit		
Digit 5 – Nominal Efficiency Rating 4 = 14 SEER 6 = 16 SEER		
Digits 6 – Blower Type P = PSC V = Variable Speed E = Constant Torque ECM		
Digit 7,8 – Nominal Capacity BTU/HOUR x 1000		
Digit 9 – Major Development Sequence		
Digit 10 – Electric Power Supply 1 = 200-230/1PH/60Hz or 208-230/1PH/60Hz		
Digit 11 – Cabinet Width Size B = 18" C = 23.5" D = 26.5"		
Digit 12 – Refrigerant Control 3 = TXV Non-Bleed 6 = FCCV (Flow Control/Check Valve)		
Digit 13 – Placeholder 0 - Nothing/Blank		
Digit 14 – Minor Design Modifications		
Digit 15 – Unit Parts Identifier		

