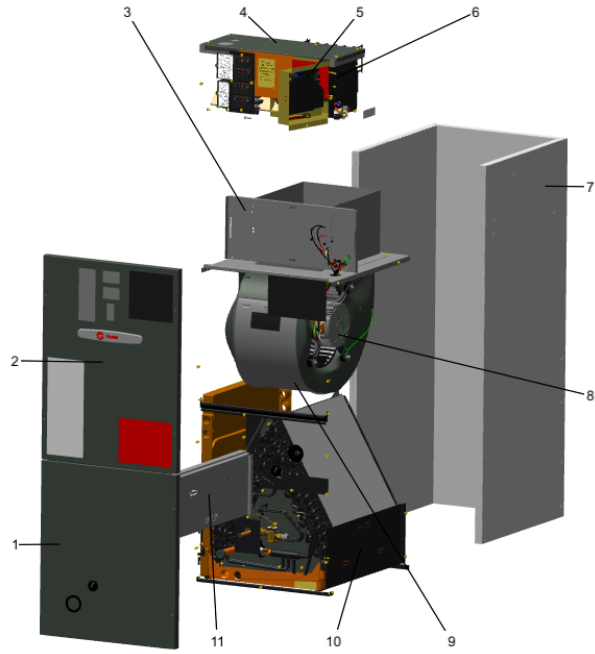


| Part No. | Reference No. | Quantity | Description |
|-----------------|----------------------|-----------------|--------------------------|
| 0000159611~S | * | | AIR HANDLER PARTS LIST |
| 0000150249~S | * | | BLOWER PARTS LIST |
| 0000150251~S | * | | COIL PARTS LIST |
| 0000150252~S | * | | CONTROLS PARTS LIST |
| 0000150248~S | * | | GENERAL ASSEMBLY |
| 0000150254~S | * | | MODEL NUMBER DESCRIPTION |

| Part No. | Reference No. | Quantity | Description |
|--------------|---------------|----------|------------------------|
| 0000032610~P | * | | AIR HANDLER PARTS LIST |



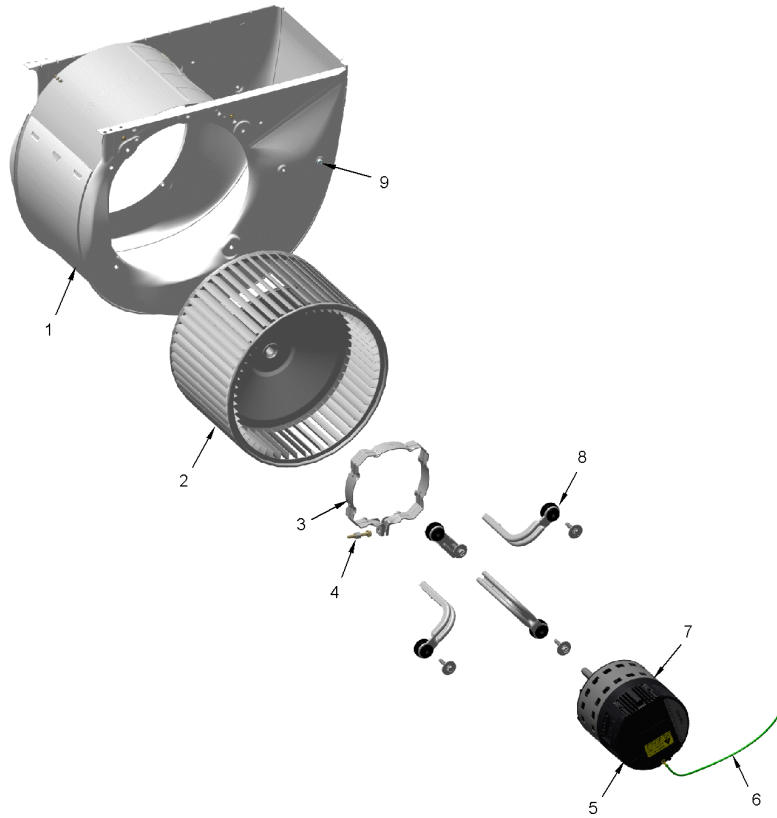
| Part No. | Reference No. | Quantity | Description |
|----------|---------------|----------|---|
| BRK04471 | * | 1 | BRACKET; DRAIN PAN CLIP |
| BRK04500 | * | 1 | BRACKET; COIL, 1.73 X 1.00 X 0.46, LEFT SIDE |
| BRK04501 | * | 1 | BRACKET; COIL, 1.73 X 1.00 X 0.46, RIGHT SIDE |
| BRK05028 | * | 4 | BRACKET; MOTOR MOUNT, 3.28 X 4.55, INCLUDES GROMMET |
| MOT18589 | * | 1 | MOTOR; ECM VS MOTOR MODULE SET; 1/2 HP; 115/230 VOLTAGE; PROGRAMMED |
| MOT19283 | * | 4 | MOUNT; MOTOR MOUNT BRACKET, LEG & SCREW ASM |
| NUT01063 | * | 1 | NUT; LOCKING NYLON |
| NUT01223 | * | 1 | NUT; HEX NUT, 7/8, 3/4-20-2B UNEF THREAD |
| PLU01169 | * | 3 | PLUG; THREADED 3/4 |
| PNL36863 | * | 1 | PANEL; INSUL ASM-LINE SET |
| SCR01510 | * | 63 | SCREW; 10-16 AB HXW 1/2 SN |
| SCR02081 | * | 1 | SCREW; 10-24 C HXW 1/2 SN |
| SCR02108 | * | 13 | SCREW; SCR 10-16 AB HXW 5/8 S |
| SUP05664 | * | 1 | SUPPORT; CROSSMEMBER, BOTTOM, 23.37 L |
| PNL36861 | 1 | 1 | PANEL; INSUL ASM-COIL |
| PNL36865 | 2 | 1 | PANEL; INSUL ASM-BLOWER |
| SUP06389 | 3 | 1 | SUPPORT; BLOWER SHELF, 13.57 X 22.95 X 7.94 |
| PNL36872 | 4 | 1 | PANEL; INSUL ASM-TOP COVER |
| PNL36870 | 7 | 1 | PANEL; INSUL ASM-WRAPPER |
| SUP05666 | 9 | 1 | SUPPORT; CROSSMEMBER, MIDDLE, 22.39 L |
| SUP05662 | 10 | 1 | SUPPORT; COIL SHIELD, RIGHT, 20.04 X 7.72 |
| SUP05661 | 11 | 1 | SUPPORT; COIL SHIELD, LEFT, 20.04 X 7.72 |

| Part No. | Reference No. | Quantity | Description |
|--------------|---------------|----------|-------------------|
| 0000026910~P | * | | BLOWER PARTS LIST |

BLOWER

75012599

RP
A



This is a typical illustration. The unit in the field may not appear exactly as shown.

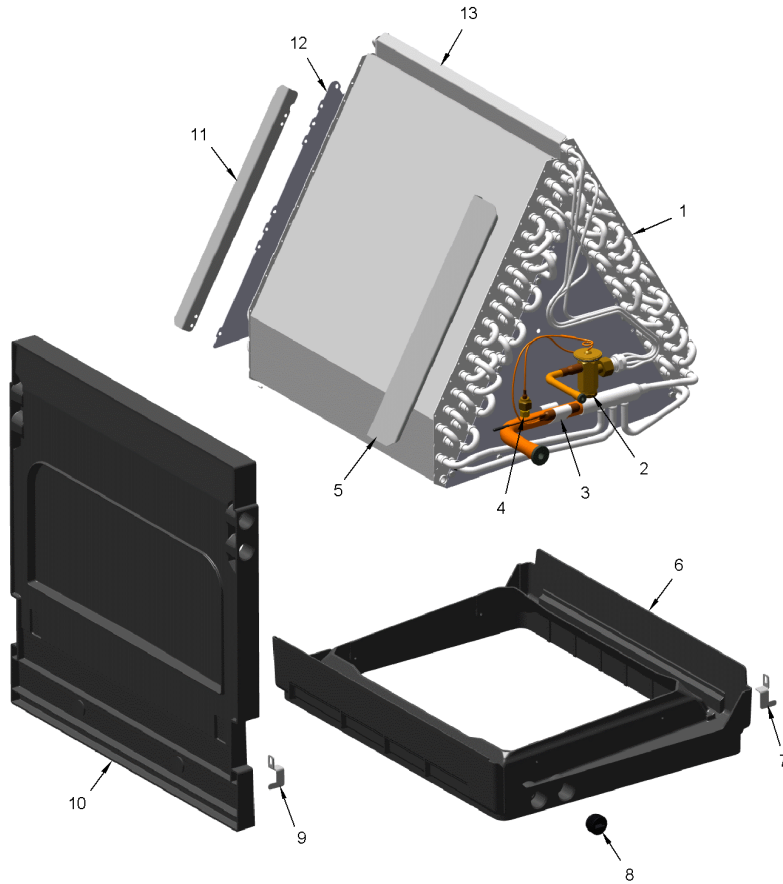
| Part No. | Reference No. | Quantity | Description |
|----------|---------------|----------|---|
| BND00917 | * | 1 | BAND; BELLY BAND ASSEMBLY, INCLUDES BAND, MOTOR LEGS, MOUNTING HARDWARE |
| BND00934 | * | 1 | BAND; BELLY BAND ASSEMBLY, INCLUDES BAND, MOTOR LEGS, MOUNTING HARDWARE |
| BRK05028 | * | 4 | BRACKET; MOTOR MOUNT, 3.28 X 4.55, INCLUDES GROMMET |
| TIE00023 | * | 1 | TIE;CABLE, 8.00IN. |
| HUS04351 | 1 | 1 | HOUSING; BLOWER, METAL, 8.325 INTERIOR WIDTH |
| WHL02916 | 2 | 1 | WHEEL; BLOWER, 11 IN DIA, 8 IN WIDTH, 0.50 IN BORE, CW |
| BND00932 | 3 | 1 | BAND; MOTOR MOUNT, 17.62 LENGTH |
| NUT01063 | 4 | 1 | NUT; LOCKING NYLON |
| WIR07840 | 6 | 1 | WIRE; GROUND, 16 AWG, UL 1015, GREEN, 15 IN LENGTH, RING TERMINALS |
| MOT18589 | 7 | 1 | MOTOR; ECM VS MOTOR MODULE SET; 1/2 HP; 115/230 VOLTAGE; PROGRAMMED |
| MOT19283 | 8 | 4 | MOUNT; MOTOR MOUNT BRACKET, LEG & SCREW ASM |
| SCR02081 | 9 | 1 | SCREW; 10-24 C HXW 1/2 SN |

| Part No. | Reference No. | Quantity | Description |
|--------------|---------------|----------|-----------------|
| 0000026913~P | * | | COIL PARTS LIST |

COIL

75012598

RP
A



This is a typical illustration. The unit in the field may not appear exactly as shown.

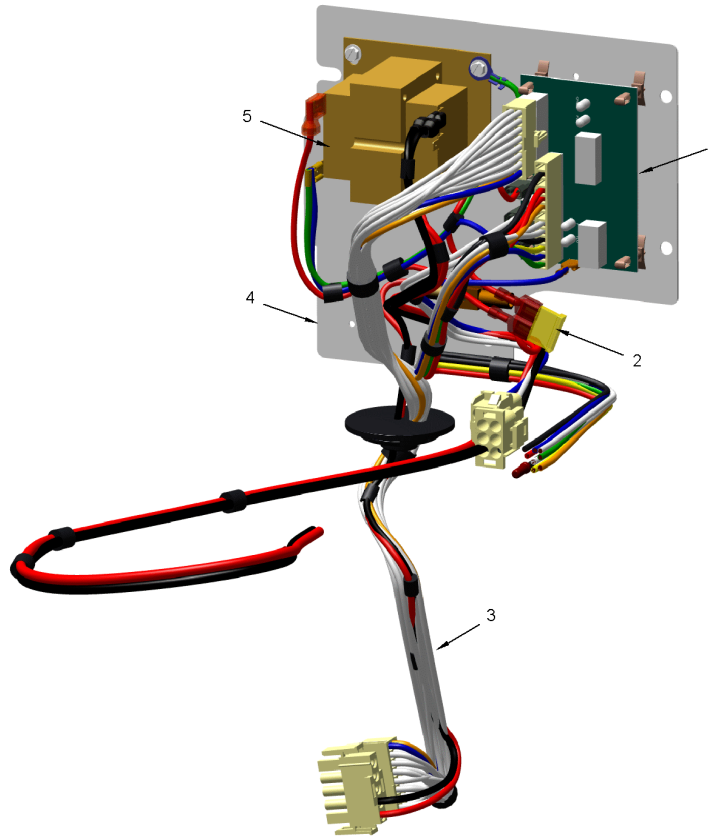
| Part No. | Reference No. | Quantity | Description |
|-----------------|----------------------|-----------------|---|
| CLP00182 | * | 1 | CLIP, EXPANSION VALVE |
| NUT01223 | * | 1 | NUT; HEX NUT, 7/8, 3/4-20-2B UNEF THREAD |
| SCR01510 | * | 24 | SCREW; 10-16 AB HXW 1/2 SN |
| TIE00026 | * | 1 | TIE; CABLE, 8-1/2IN. |
| PAN04390 | | 1 | PAN; UPFLOW DRAIN PAN ASM, C WIDTH |
| VAL20693 | | 1 | VALVE; EXPANSION |
| COL31103 | 1* | 1 | COIL, BLK EPOXY; ASSEMBLY, INCLUDES DRAIN PAN & TXV |
| COL31308 | 1 | 1 | COIL;ASSEMBLY, INCLUDES DRAIN PAN & TXV |
| TUB14354 | 3 | 1 | TUBE; LIQUID TUBE ASSEMBLY |
| BOD00114 | 4 | 1 | BODY; VALVE, BRASS, 7/16 HEX, 7/16 -20 UNF-2A |
| PLU01169 | 8 | 1 | PLUG; THREADED 3/4 |

| Part No. | Reference No. | Quantity | Description |
|--------------|---------------|----------|---------------------|
| 0000026951~P | * | | CONTROLS PARTS LIST |

CONTROLS

75012651

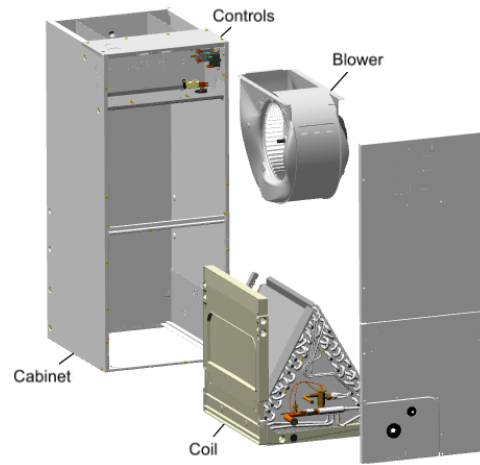
RP
A



This is a typical illustration. The unit in the field may not appear exactly as shown.

| Part No. | Reference No. | Quantity | Description |
|-----------------|----------------------|-----------------|--|
| TIE00023 | * | 2 | TIE;CABLE, 8.00IN. |
| CNT03600 | 1 | 1 | CONTROL; ICM FAN, PWB, 16 PIN |
| FUS01089 | 2 | 1 | FUSE; 5 AMP, TAN, AUTOMOTIVE STYLE |
| WIR07781 | 3 | 1 | WIRE; HARNESS ASM VS |
| PLT05625 | 4 | 1 | PLATE; CONTROL, 7.38 X 6.69 |
| TRR01557 | 5 | 1 | TRANSFORMER; 40VA, 200/230V PRI, 24V SEC |

| Part No. | Reference No. | Quantity | Description |
|-------------|---------------|----------|--------------------------|
| 000004267~P | * | | GENERAL ASSEMBLY GRAPHIC |



| Part No. | Reference No. | Quantity | Description |
|-------------|---------------|----------|----------------------|
| 000009818~P | * | | MODEL NUMBER GRAPHIC |

MODEL NUMBER DESCRIPTION

75013901

REV
A

AIR HANDLER

Example Model Number:

A 4 A H 4 P 2 4 A 1 B 3 0 A A
1 - - - 5 - - - 10 - - - 15

Digit 1 – Brand

A = RunTru Brand

Digit 2 – Refrigerant Type

4 = R410a

Digit 3,4 – Product Family

AH = Air Handler Unit

Digit 5 – Nominal Efficiency Rating

4 = 14 SEER

6 = 16 SEER

Digits 6 – Blower Type

P = PSC

V = Variable Speed

E = Constant Torque ECM

Digit 7,8 – Nominal Capacity

BTU/HOUR x 1000

Digit 9 – Major Development Sequence

Digit 10 – Electric Power Supply

1 = 200-230/1PH/60Hz or 208-230/1PH/60Hz

Digit 11 – Cabinet Width Size

B = 18"

C = 23.5"

D = 26.5"

Digit 12 – Refrigerant Control

3 = TXV Non-Bleed

6 = FCCV (Flow Control/Check Valve)

Digit 13 – Placeholder

0 - Nothing/Blank

Digit 14 – Minor Design Modifications

Digit 15 – Unit Parts Identifier

