

Part No.	Reference No.	Quantity	Description
0000159611~S	*		AIR HANDLER PARTS LIST
0000150249~S	*		BLOWER PARTS LIST
0000193591~S	*		CABINET
0000150251~S	*		COIL PARTS LIST
0000150252~S	*		CONTROLS PARTS LIST
0000167714~S	*		DRAIN PAN
0000150248~S	*		GENERAL ASSEMBLY
0000150254~S	*		MODEL NUMBER DESCRIPTION

Part No.	Reference No.	Quantity	Description
0000032628~P	*		AIR HANDLER PARTS LIST



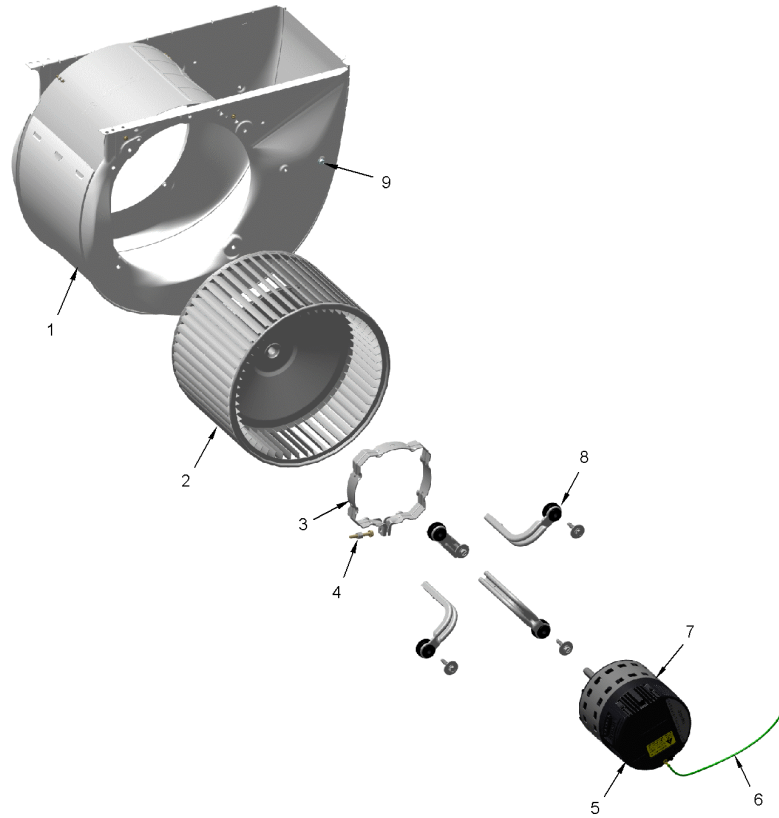
Part No.	Reference No.	Quantity	Description
BRK04471	*	1	BRACKET; DRAIN PAN CLIP
BRK04500	*	1	BRACKET; COIL, 1.73 X 1.00 X 0.46, LEFT SIDE
BRK04501	*	1	BRACKET; COIL, 1.73 X 1.00 X 0.46, RIGHT SIDE
BRK05028	*	4	BRACKET; MOTOR MOUNT, 3.28 X 4.55, INCLUDES GROMMET
HUS04351	*	1	HOUSING; BLOWER, METAL, 8.325 INTERIOR WIDTH
MOT18589	*	1	MOTOR; ECM VS MOTOR MODULE SET; 1/2 HP; 115/230 VOLTAGE; PROGRAMMED
MOT19283	*	4	MOUNT; MOTOR MOUNT BRACKET, LEG & SCREW ASM
PNL36863	*	1	PANEL; INSUL ASM-LINE SET
SCR01510	*	63	SCREW; 10-16 AB HXW 1/2 SN
SCR02081	*	1	SCREW; 10-24 C HXW 1/2 SN
SCR02108	*	13	SCREW; SCR 10-16 AB HXW 5/8 S
SUP05664	*	1	SUPPORT; CROSSMEMBER, BOTTOM, 23.37 L
PNL36861	1	1	PANEL; INSUL ASM-COIL
PNL36865	2	1	PANEL; INSUL ASM-BLOWER
SUP06389	3	1	SUPPORT; BLOWER SHELF, 13.57 X 22.95 X 7.94
PNL36872	4	1	PANEL; INSUL ASM-TOP COVER
PNL36870	7	1	PANEL; INSUL ASM-WRAPPER
SUP05666	9	1	SUPPORT; CROSSMEMBER, MIDDLE, 22.39 L
SUP05662	10	1	SUPPORT; COIL SHIELD, RIGHT, 20.04 X 7.72
SUP05661	11	1	SUPPORT; COIL SHIELD, LEFT, 20.04 X 7.72

Part No.	Reference No.	Quantity	Description
0000026910~P	*		BLOWER PARTS LIST

BLOWER

75012599

RP
A



This is a typical illustration. The unit in the field may not appear exactly as shown.

Part No.	Reference No.	Quantity	Description
BND00917	*	1	BAND; BELLY BAND ASSEMBLY, INCLUDES BAND, MOTOR LEGS, MOUNTING HARDWARE
BND00934	*	1	BAND; BELLY BAND ASSEMBLY, INCLUDES BAND, MOTOR LEGS, MOUNTING HARDWARE
BRK05028	*	4	BRACKET; MOTOR MOUNT, 3.28 X 4.55, INCLUDES GROMMET
TIE00023	*	1	TIE;CABLE, 8.00IN.
HUS04351	1	1	HOUSING; BLOWER, METAL, 8.325 INTERIOR WIDTH
WHL02916	2	1	WHEEL; BLOWER, 11 IN DIA, 8 IN WIDTH, 0.50 IN BORE, CW
BND00932	3	1	BAND; MOTOR MOUNT, 17.62 LENGTH
NUT01063	4	1	NUT; LOCKING NYLON
WIR07840	6	1	WIRE; GROUND, 16 AWG, UL 1015, GREEN, 15 IN LENGTH, RING TERMINALS
MOT18589	7	1	MOTOR; ECM VS MOTOR MODULE SET; 1/2 HP; 115/230 VOLTAGE; PROGRAMMED
MOT19283	8	4	MOUNT; MOTOR MOUNT BRACKET, LEG & SCREW ASM
SCR02081	9	1	SCREW; 10-24 C HXW 1/2 SN

Part No.	Reference No.	Quantity	Description
0000045288~P	*		CABINET CROSSMEMBER BOTTOM PARTS LIST
0000045310~P	*		SUPPORT-COIL SHIELD PARTS LIST

Parts List Number :0000150202

Model Number :A4AH5V36A1C30AA

Part No.	Reference No.	Quantity	Description
SUP05664	1	1	SUPPORT; CROSSMEMBER, BOTTOM, 23.37 L

Part No.	Reference No.	Quantity	Description
SUP05662	1	1	SUPPORT; COIL SHIELD, RIGHT, 20.04 X 7.72

Parts List Number :0000150202

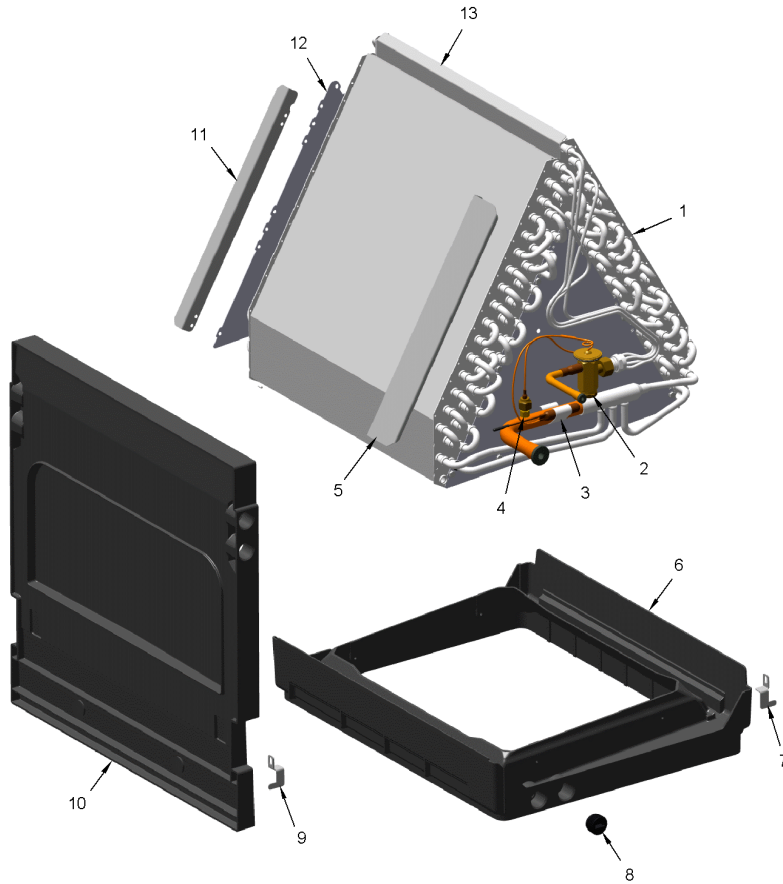
Model Number :A4AH5V36A1C30AA

Part No.	Reference No.	Quantity	Description
0000026913~P	*		COIL PARTS LIST

COIL

75012598

RP
A



This is a typical illustration. The unit in the field may not appear exactly as shown.

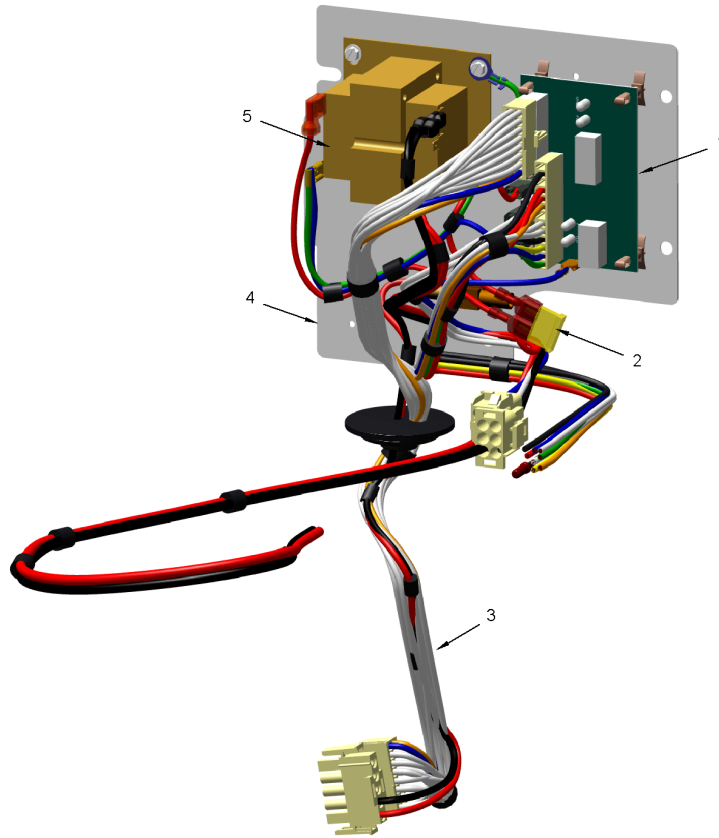
Part No.	Reference No.	Quantity	Description
CLP00182	*	1	CLIP, EXPANSION VALVE
NUT01223	*	1	NUT; HEX NUT, 7/8, 3/4-20-2B UNEF THREAD
SCR01510	*	24	SCREW; 10-16 AB HXW 1/2 SN
TIE00026	*	1	TIE; CABLE, 8-1/2IN.
PAN04390		1	PAN; UPFLOW DRAIN PAN ASM, C WIDTH
VAL20693		1	VALVE; EXPANSION
COL31103	1*	1	COIL, BLK EPOXY; ASSEMBLY, INCLUDES DRAIN PAN & TXV
COL31308	1	1	COIL;ASSEMBLY, INCLUDES DRAIN PAN & TXV
TUB14354	3	1	TUBE; LIQUID TUBE ASSEMBLY
BOD00114	4	1	BODY; VALVE, BRASS, 7/16 HEX, 7/16 -20 UNF-2A
PLU01169	8	1	PLUG; THREADED 3/4

Part No.	Reference No.	Quantity	Description
0000026951~P	*		CONTROLS PARTS LIST

CONTROLS

75012651

RP
A



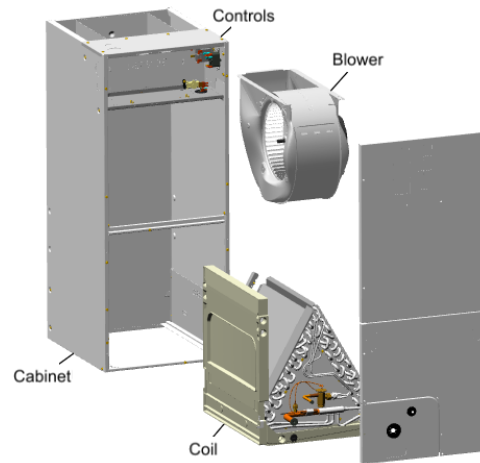
This is a typical illustration. The unit in the field may not appear exactly as shown.

Part No.	Reference No.	Quantity	Description
TIE00023	*	2	TIE;CABLE, 8.00IN.
CNT03600	1	1	CONTROL; ICM FAN, PWB, 16 PIN
FUS01089	2	1	FUSE; 5 AMP, TAN, AUTOMOTIVE STYLE
WIR07781	3	1	WIRE; HARNESS ASM VS
PLT05625	4	1	PLATE; CONTROL, 7.38 X 6.69
TRR01557	5	1	TRANSFORMER; 40VA, 200/230V PRI, 24V SEC

Part No.	Reference No.	Quantity	Description
0000040747~P	*		DRAIN PAN

Part No.	Reference No.	Quantity	Description
BRK04471	1	1	BRACKET; DRAIN PAN CLIP
PAN04391	2	1	PAN; HORIZ DRAIN PAN, SHORT C CABINET
PLU01169	3	2	PLUG; THREADED 3/4

Part No.	Reference No.	Quantity	Description
000004267~P	*		GENERAL ASSEMBLY GRAPHIC



Part No.	Reference No.	Quantity	Description
000009818~P	*		MODEL NUMBER GRAPHIC

MODEL NUMBER DESCRIPTION	75013901	REV A
AIR HANDLER		
<i>Example Model Number:</i> A 4 A H 4 P 2 4 A 1 B 3 0 A A 1 - - - 5 - - - 10 - - - 15		
Digit 1 – Brand A = RunTru Brand		
Digit 2 – Refrigerant Type 4 = R410a		
Digit 3,4 – Product Family AH = Air Handler Unit		
Digit 5 – Nominal Efficiency Rating 4 = 14 SEER 6 = 16 SEER		
Digits 6 – Blower Type P = PSC V = Variable Speed E = Constant Torque ECM		
Digit 7,8 – Nominal Capacity BTU/HOUR x 1000		
Digit 9 – Major Development Sequence		
Digit 10 – Electric Power Supply 1 = 200-230/1PH/60Hz or 208-230/1PH/60Hz		
Digit 11 – Cabinet Width Size B = 18" C = 23.5" D = 26.5"		
Digit 12 – Refrigerant Control 3 = TXV Non-Bleed 6 = FCCV (Flow Control/Check Valve)		
Digit 13 – Placeholder 0 - Nothing/Blank		
Digit 14 – Minor Design Modifications		
Digit 15 – Unit Parts Identifier		
1 of 1		

