

<b>Part No.</b>	<b>Reference No.</b>	<b>Quantity</b>	<b>Description</b>
0000159611~S	*		AIR HANDLER PARTS LIST
0000150249~S	*		BLOWER PARTS LIST
0000193591~S	*		CABINET
0000150251~S	*		COIL PARTS LIST
0000150252~S	*		CONTROLS PARTS LIST
0000167714~S	*		DRAIN PAN
0000150248~S	*		GENERAL ASSEMBLY
0000150254~S	*		MODEL NUMBER DESCRIPTION

Part No.	Reference No.	Quantity	Description
0000032632~P	*		AIR HANDLER PARTS LIST



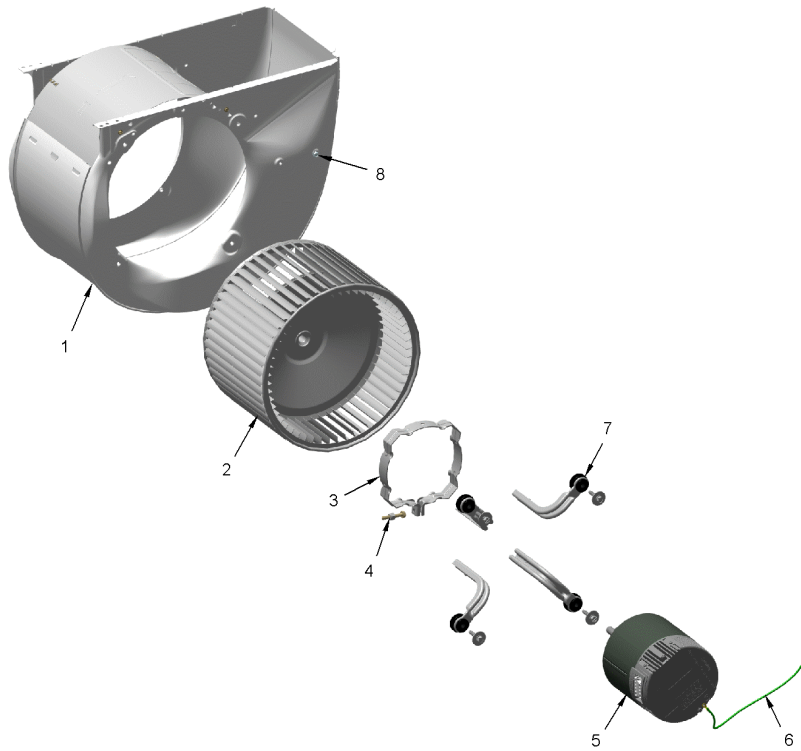
Part No.	Reference No.	Quantity	Description
SUP05664	*	1	SUPPORT; CROSSMEMBER, BOTTOM, 23.37 L
BRK04471		1	BRACKET; DRAIN PAN CLIP
BRK04500		1	BRACKET; COIL, 1.73 X 1.00 X 0.46, LEFT SIDE
BRK04501		1	BRACKET; COIL, 1.73 X 1.00 X 0.46, RIGHT SIDE
BRK05028		4	BRACKET; MOTOR MOUNT, 3.28 X 4.55, INCLUDES GROMMET
MOT19283		4	MOUNT; MOTOR MOUNT BRACKET, LEG & SCREW ASM
NUT01063		1	NUT; LOCKING NYLON
NUT01223		1	NUT; HEX NUT, 7/8, 3/4-20-2B UNEF THREAD
PAN04390		1	PAN; UPFLOW DRAIN PAN ASM, C WIDTH
PNL36863		1	PANEL; INSUL ASM-LINE SET
SCR01510		67	SCREW; 10-16 AB HXW 1/2 SN
SCR02081		1	SCREW; 10-24 C HXW 1/2 SN
SCR02108		13	SCREW; SCR 10-16 AB HXW 5/8 S
PNL38576	1	1	PANEL; COIL PANEL-GALVANIZED ASM
PNL36865	2	1	PANEL; INSUL ASM-BLOWER
SUP06389	3	1	SUPPORT; BLOWER SHELF, 13.57 X 22.95 X 7.94
PNL36872	4	1	PANEL; INSUL ASM-TOP COVER
PNL38702	7	1	PANEL; WRAPPER ASSY-GALVANIZED
MOT20424	8	1	MOTOR; TEM4, C49/61 MOTOR ASM
SUP05666	9	1	SUPPORT; CROSSMEMBER, MIDDLE, 22.39 L
SUP05662	10	1	SUPPORT; COIL SHIELD, RIGHT, 20.04 X 7.72
SUP05661	11	1	SUPPORT; COIL SHIELD, LEFT, 20.04 X 7.72

Part No.	Reference No.	Quantity	Description
0000032607~P	*		BLOWER PARTS LIST

BLOWER

75012600

RP  
A



This is a typical illustration. The unit in the field may not appear exactly as shown.

Part No.	Reference No.	Quantity	Description
MOT20424	*	1	MOTOR; TEM4, C49/61 MOTOR ASM
TIE00023	*	1	TIE;CABLE, 8.00IN.
HUS04351	1	1	HOUSING; BLOWER, METAL, 8.325 INTERIOR WIDTH
WHL02916	2	1	WHEEL; BLOWER, 11 IN DIA, 8 IN WIDTH, 0.50 IN BORE, CW
BND00934	3	1	BAND; BELLY BAND ASSEMBLY, INCLUDES BAND, MOTOR LEGS, MOUNTING HARDWARE
NUT01063	4	1	NUT; LOCKING NYLON
BRK05028	7	4	BRACKET; MOTOR MOUNT, 3.28 X 4.55, INCLUDES GROMMET
MOT19283	7a	4	MOUNT; MOTOR MOUNT BRACKET, LEG & SCREW ASM
SCR02081	9	1	SCREW; 10-24 C HXW 1/2 SN

Part No.	Reference No.	Quantity	Description
0000045310~P	*		SUPPORT-COIL SHIELD PARTS LIST

SUPPORT-COIL SHIELD PARTS LIST

Parts List Number :0000150202

Model Number :A4AH5E61A1C30AA

<b>Part No.</b>	<b>Reference No.</b>	<b>Quantity</b>	<b>Description</b>
SUP05662	1	1	SUPPORT; COIL SHIELD, RIGHT, 20.04 X 7.72

Parts List Number :0000150202

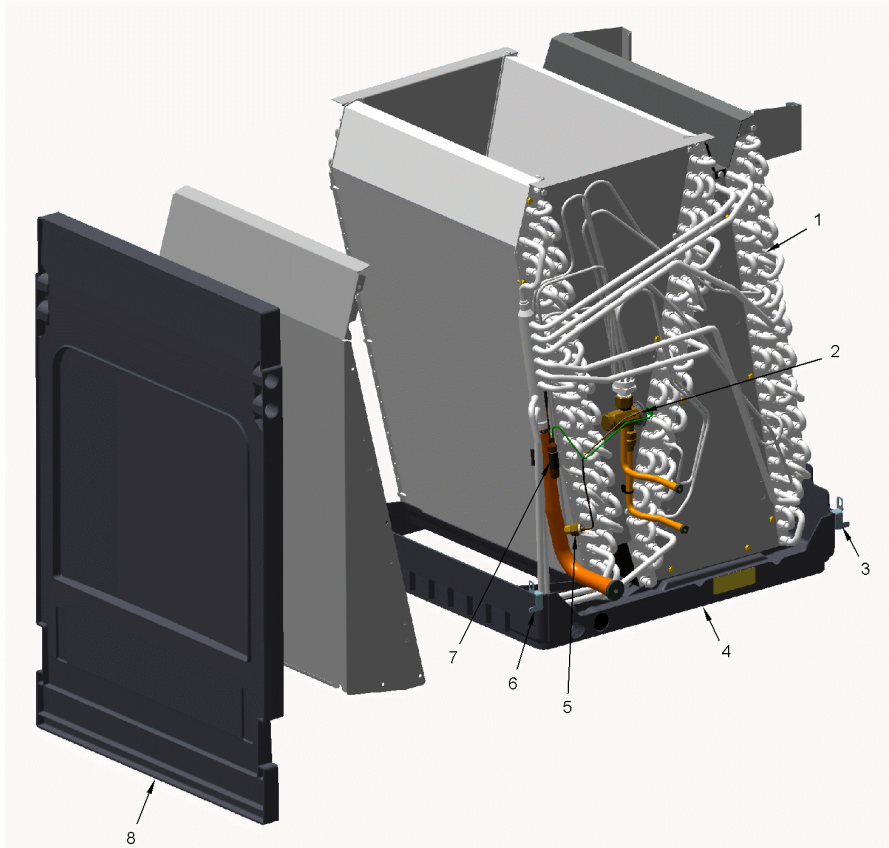
Model Number :A4AH5E61A1C30AA

<b>Part No.</b>	<b>Reference No.</b>	<b>Quantity</b>	<b>Description</b>
0000026912~P	*		COIL PARTS LIST
0000045287~P	*		COIL PARTS LIST

COIL

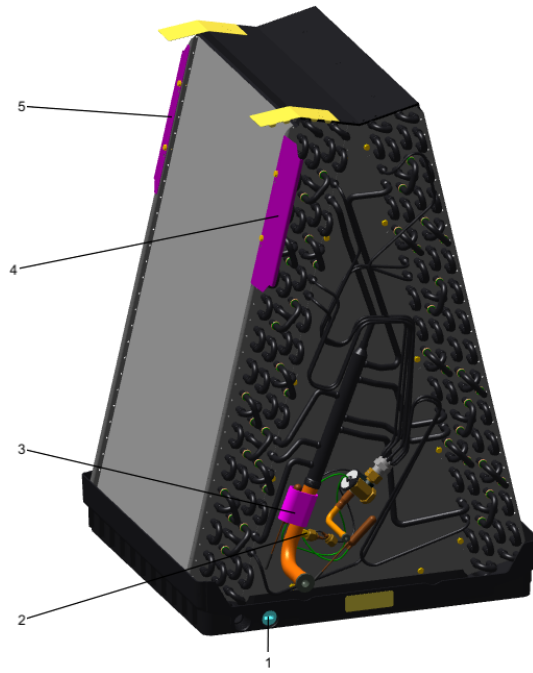
75011284

REV.  
A



This is a typical illustration. The unit in the field may not appear exactly as shown.

<b>Part No.</b>	<b>Reference No.</b>	<b>Quantity</b>	<b>Description</b>
PAN04390	*	1	PAN; UPFLOW DRAIN PAN ASM, C WIDTH
PAN04392	*	1	PAN; HORIZ DRAIN PAN, TALL C CABINET
VAL20694	*	1	VALVE; EXPANSION
SCR01510		30	SCREW; 10-16 AB HXW 1/2 SN
TIE00026		1	TIE; CABLE, 8-1/2IN.
TUB14354		1	TUBE; LIQUID TUBE ASSEMBLY
COL31310	1a	1	COIL; ASSEMBLY, INCLUDES DRAIN PAN & TXV
COL31104	1b	1	COIL, BLK EPOXY; ASSEMBLY, INCLUDES DRAIN PAN & TXV
NUT01223	2	1	NUT; HEX NUT, 7/8, 3/4-20-2B UNEF THREAD
PLU01169	4	1	PLUG; THREADED 3/4
BOD00114	5	1	BODY; VALVE, BRASS, 7/16 HEX, 7/16 -20 UNF-2A
CLP00182	7	1	CLIP, EXPANSION VALVE



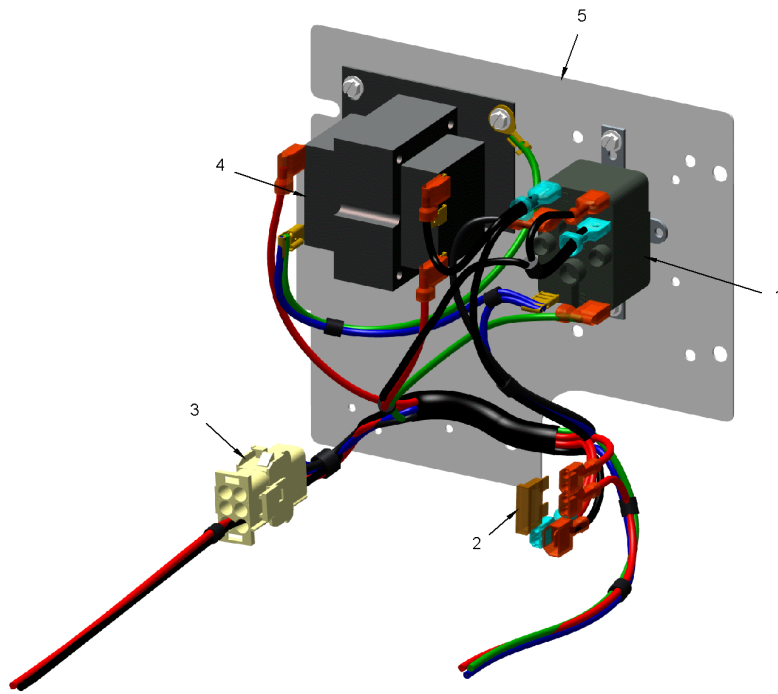
<b>Part No.</b>	<b>Reference No.</b>	<b>Quantity</b>	<b>Description</b>
COL31104	*	1	COIL, BLK EPOXY; ASSEMBLY, INCLUDES DRAIN PAN & TXV
COL31310	*	1	COIL; ASSEMBLY, INCLUDES DRAIN PAN & TXV
PAN04390	*	1	PAN; UPFLOW DRAIN PAN ASM, C WIDTH
SCR01510	*	30	SCREW; 10-16 AB HXW 1/2 SN
TIE00026	*	1	TIE; CABLE, 8-1/2IN.
VAL20747	*	1	VALVE-EXPANSION
PLU01169	1	1	PLUG; THREADED 3/4
BOD00114	2	1	BODY; VALVE, BRASS, 7/16 HEX, 7/16 -20 UNF-2A
CLP00182	3	1	CLIP, EXPANSION VALVE
DIV00342	4	1	DIVERTER; COIL FRONT
DIV00341	5	1	DIVERTER; COIL REAR

Part No.	Reference No.	Quantity	Description
0000026950~P	*		CONTROLS PARTS LIST

CONTROLS

75012597

RP  
A



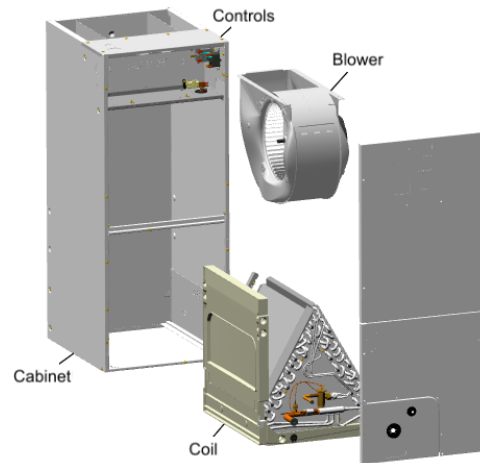
This is a typical illustration. The unit in the field may not appear exactly as shown.

<b>Part No.</b>	<b>Reference No.</b>	<b>Quantity</b>	<b>Description</b>
TIE00026	*	1	TIE; CABLE, 8-1/2IN.
FUS01089	2	1	FUSE; 5 AMP, TAN, AUTOMOTIVE STYLE
WIR09942	3	1	WIRE; HARNESS ASM-CTM
TRR01557	4	1	TRANSFORMER; 40VA, 200/230V PRI, 24V SEC
PLT05625	5	1	PLATE; CONTROL, 7.38 X 6.69

Part No.	Reference No.	Quantity	Description
0000045308~P	*		DRAIN PAN PARTS LIST

<b>Part No.</b>	<b>Reference No.</b>	<b>Quantity</b>	<b>Description</b>
BRK04471	1	1	BRACKET; DRAIN PAN CLIP
PAN04392	2	1	PAN; HORIZ DRAIN PAN, TALL C CABINET
PLU01169	3	2	PLUG; THREADED 3/4

Part No.	Reference No.	Quantity	Description
000004267~P	*		GENERAL ASSEMBLY GRAPHIC



Part No.	Reference No.	Quantity	Description
000009818~P	*		MODEL NUMBER GRAPHIC

MODEL NUMBER DESCRIPTION	75013901	REV A
AIR HANDLER		
<i>Example Model Number:</i> <b>A 4 A H 4 P 2 4 A 1 B 3 0 A A</b> 1 - - - 5 - - - 10 - - - 15		
<b>Digit 1 – Brand</b> A = RunTru Brand		
<b>Digit 2 – Refrigerant Type</b> 4 = R410a		
<b>Digit 3,4 – Product Family</b> AH = Air Handler Unit		
<b>Digit 5 – Nominal Efficiency Rating</b> 4 = 14 SEER 6 = 16 SEER		
<b>Digits 6 – Blower Type</b> P = PSC V = Variable Speed E = Constant Torque ECM		
<b>Digit 7,8 – Nominal Capacity</b> BTU/HOUR x 1000		
<b>Digit 9 – Major Development Sequence</b>		
<b>Digit 10 – Electric Power Supply</b> 1 = 200-230/1PH/60Hz or 208-230/1PH/60Hz		
<b>Digit 11 – Cabinet Width Size</b> B = 18" C = 23.5" D = 26.5"		
<b>Digit 12 – Refrigerant Control</b> 3 = TXV Non-Bleed 6 = FCCV (Flow Control/Check Valve)		
<b>Digit 13 – Placeholder</b> 0 - Nothing/Blank		
<b>Digit 14 – Minor Design Modifications</b>		
<b>Digit 15 – Unit Parts Identifier</b>		
1 of 1		

