

Part No.	Reference No.	Quantity	Description
0000159611~S	*		AIR HANDLER PARTS LIST
0000150249~S	*		BLOWER PARTS LIST
0000150251~S	*		COIL PARTS LIST
0000150252~S	*		CONTROLS PARTS LIST
0000150248~S	*		GENERAL ASSEMBLY
0000150254~S	*		MODEL NUMBER DESCRIPTION

Part No.	Reference No.	Quantity	Description
0000032633~P	*		AIR HANDLER PARTS LIST



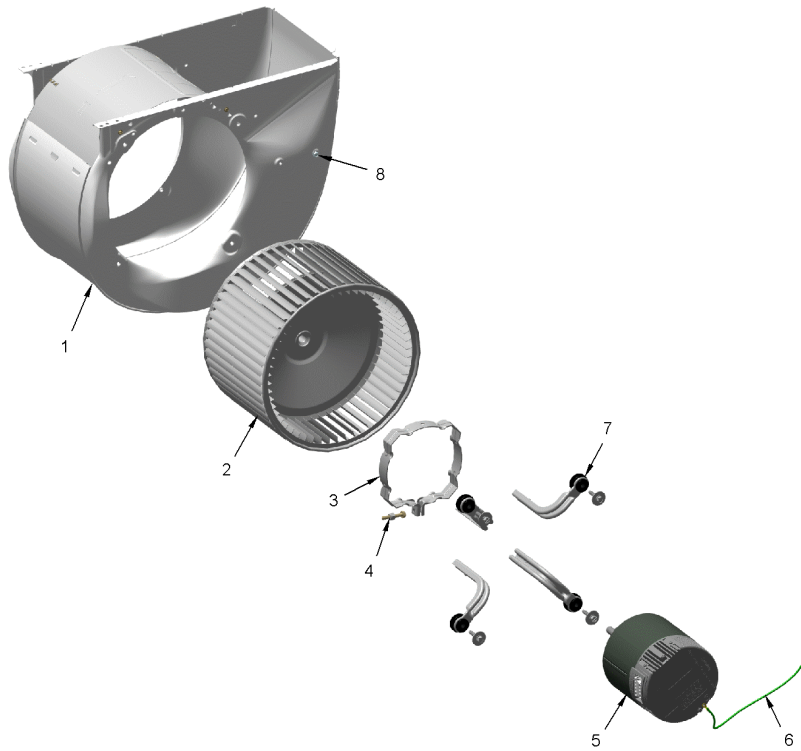
Part No.	Reference No.	Quantity	Description
MOT19283	1	4	MOUNT; MOTOR MOUNT BRACKET, LEG & SCREW ASM
NUT01063	3	1	NUT; LOCKING NYLON
SUP05661	4	1	SUPPORT; COIL SHIELD, LEFT, 20.04 X 7.72
TUB14354	5	1	TUBE; LIQUID TUBE ASSEMBLY
PNL36872	6	1	PANEL; INSUL ASM-TOP COVER
SUP06389	7	1	SUPPORT; BLOWER SHELF, 13.57 X 22.95 X 7.94
GRM00864	8	1	GROMMET; CONE GROMMET, LIQUID LINE
SCR02108	9	13	SCREW; SCR 10-16 AB HXW 5/8 S
FUS01089	10	1	FUSE; 5 AMP, TAN, AUTOMOTIVE STYLE
PLU01169	11	3	PLUG; THREADED 3/4
SUP05664	12	1	SUPPORT; CROSSMEMBER, BOTTOM, 23.37 L
NUT01223	13	1	NUT; HEX NUT, 7/8, 3/4-20-2B UNEF THREAD
PNL36865	14	1	PANEL; INSUL ASM-BLOWER
PLT05625	15	1	PLATE; CONTROL, 7.38 X 6.69
CLP00182	16	1	CLIP, EXPANSION VALVE
PAN04392	18	1	PAN; HORIZ DRAIN PAN, TALL C CABINET
SCR01510	19	67	SCREW; 10-16 AB HXW 1/2 SN
WIR09942	21	1	WIRE; HARNESS ASM-CTM
TIE00023	22	2	TIE;CABLE, 8.00IN.
BRK05028	23	4	BRACKET; MOTOR MOUNT, 3.28 X 4.55, INCLUDES GROMMET
GRM00863	25	1	GROMMET; SUCTION GROMMET
HUS04351	26	1	HOUSING; BLOWER, METAL, 8.325 INTERIOR WIDTH
PNL36863	27	1	PANEL; INSUL ASM-LINE SET
SUP05666	28	1	SUPPORT; CROSSMEMBER, MIDDLE, 22.39 L
PAN04390	29	1	PAN; UPFLOW DRAIN PAN ASM, C WIDTH
MOT20424	30	1	MOTOR; TEM4, C49/61 MOTOR ASM
BRK04500	31	1	BRACKET; COIL, 1.73 X 1.00 X 0.46, LEFT SIDE
WHL02916	32	1	WHEEL; BLOWER, 11 IN DIA, 8 IN WIDTH, 0.50 IN BORE, CW
TRR01557	33	1	TRANSFORMER; 40VA, 200/230V PRI, 24V SEC
PNL38576	34	1	PANEL; COIL PANEL-GALVANIZED ASM
SUP05662	35	1	SUPPORT; COIL SHIELD, RIGHT, 20.04 X 7.72
TIE00026	36	2	TIE; CABLE, 8-1/2IN.
BRK04501	37	1	BRACKET; COIL, 1.73 X 1.00 X 0.46, RIGHT SIDE
PNL38702	38	1	PANEL; WRAPPER ASSY-GALVANIZED
BRK04471	39	1	BRACKET; DRAIN PAN CLIP
SCR02081	40	1	SCREW; 10-24 C HXW 1/2 SN

Part No.	Reference No.	Quantity	Description
0000032607~P	*		BLOWER PARTS LIST

BLOWER

75012600

RP
A



This is a typical illustration. The unit in the field may not appear exactly as shown.

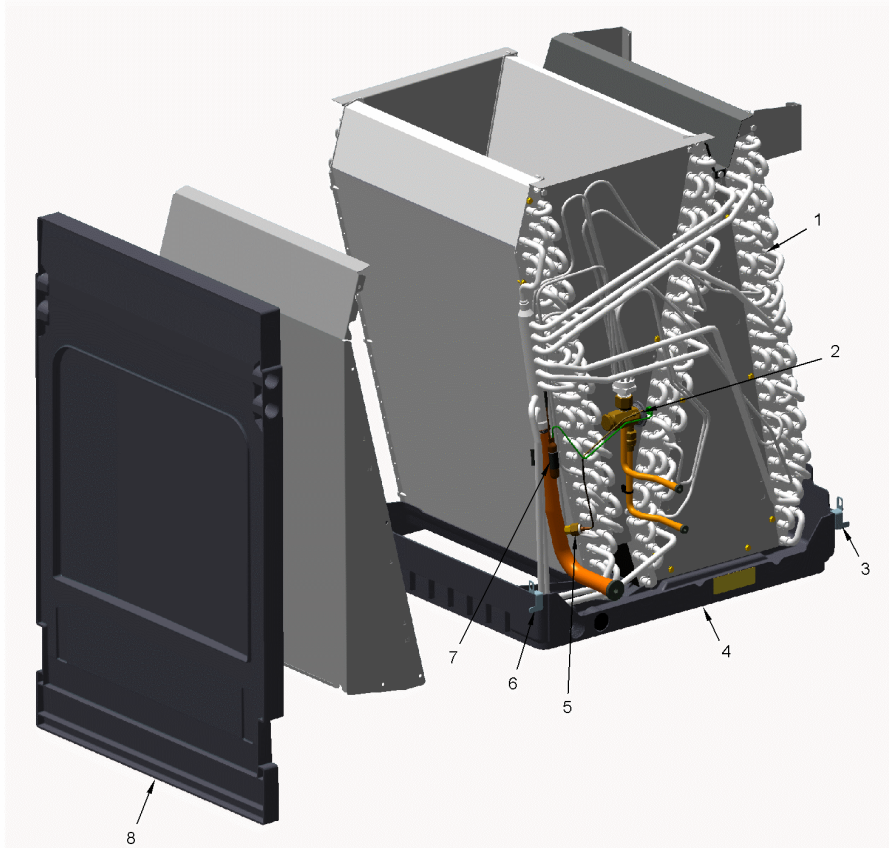
Part No.	Reference No.	Quantity	Description
MOT20424	*	1	MOTOR; TEM4, C49/61 MOTOR ASM
TIE00023	*	1	TIE;CABLE, 8.00IN.
HUS04351	1	1	HOUSING; BLOWER, METAL, 8.325 INTERIOR WIDTH
WHL02916	2	1	WHEEL; BLOWER, 11 IN DIA, 8 IN WIDTH, 0.50 IN BORE, CW
BND00934	3	1	BAND; BELLY BAND ASSEMBLY, INCLUDES BAND, MOTOR LEGS, MOUNTING HARDWARE
NUT01063	4	1	NUT; LOCKING NYLON
BRK05028	7	4	BRACKET; MOTOR MOUNT, 3.28 X 4.55, INCLUDES GROMMET
MOT19283	7a	4	MOUNT; MOTOR MOUNT BRACKET, LEG & SCREW ASM
SCR02081	9	1	SCREW; 10-24 C HXW 1/2 SN

Part No.	Reference No.	Quantity	Description
0000026912~P	*		COIL PARTS LIST

COIL

75011284

REV.
A



This is a typical illustration. The unit in the field may not appear exactly as shown.

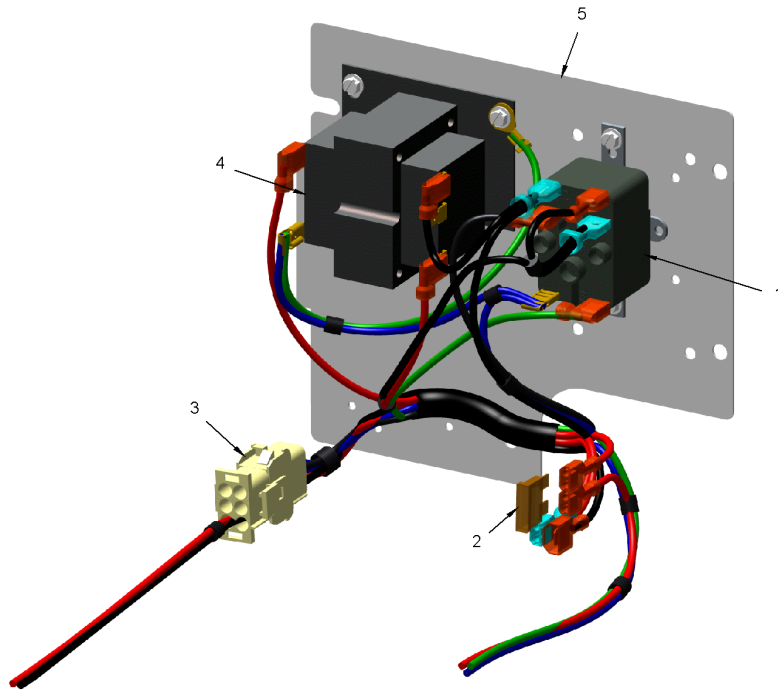
Part No.	Reference No.	Quantity	Description
PAN04390	*	1	PAN; UPFLOW DRAIN PAN ASM, C WIDTH
PAN04392	*	1	PAN; HORIZ DRAIN PAN, TALL C CABINET
VAL20694	*	1	VALVE; EXPANSION
SCR01510		30	SCREW; 10-16 AB HXW 1/2 SN
TIE00026		1	TIE; CABLE, 8-1/2IN.
TUB14354		1	TUBE; LIQUID TUBE ASSEMBLY
COL31310	1a	1	COIL; ASSEMBLY, INCLUDES DRAIN PAN & TXV
COL31104	1b	1	COIL, BLK EPOXY; ASSEMBLY, INCLUDES DRAIN PAN & TXV
NUT01223	2	1	NUT; HEX NUT, 7/8, 3/4-20-2B UNEF THREAD
PLU01169	4	1	PLUG; THREADED 3/4
BOD00114	5	1	BODY; VALVE, BRASS, 7/16 HEX, 7/16 -20 UNF-2A
CLP00182	7	1	CLIP, EXPANSION VALVE

Part No.	Reference No.	Quantity	Description
0000026950~P	*		CONTROLS PARTS LIST

CONTROLS

75012597

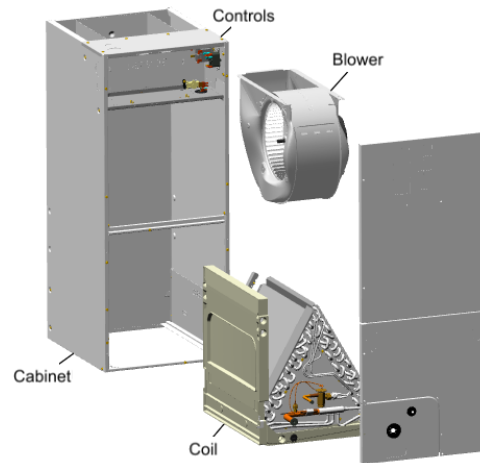
RP
A



This is a typical illustration. The unit in the field may not appear exactly as shown.

Part No.	Reference No.	Quantity	Description
TIE00026	*	1	TIE; CABLE, 8-1/2IN.
FUS01089	2	1	FUSE; 5 AMP, TAN, AUTOMOTIVE STYLE
WIR09942	3	1	WIRE; HARNESS ASM-CTM
TRR01557	4	1	TRANSFORMER; 40VA, 200/230V PRI, 24V SEC
PLT05625	5	1	PLATE; CONTROL, 7.38 X 6.69

Part No.	Reference No.	Quantity	Description
000004267~P	*		GENERAL ASSEMBLY GRAPHIC



Part No.	Reference No.	Quantity	Description
000009818~P	*		MODEL NUMBER GRAPHIC

MODEL NUMBER DESCRIPTION	75013901	REV A
AIR HANDLER		
<i>Example Model Number:</i> A 4 A H 4 P 2 4 A 1 B 3 0 A A 1 - - - 5 - - - 10 - - - 15		
Digit 1 – Brand A = RunTru Brand		
Digit 2 – Refrigerant Type 4 = R410a		
Digit 3,4 – Product Family AH = Air Handler Unit		
Digit 5 – Nominal Efficiency Rating 4 = 14 SEER 6 = 16 SEER		
Digits 6 – Blower Type P = PSC V = Variable Speed E = Constant Torque ECM		
Digit 7,8 – Nominal Capacity BTU/HOUR x 1000		
Digit 9 – Major Development Sequence		
Digit 10 – Electric Power Supply 1 = 200-230/1PH/60Hz or 208-230/1PH/60Hz		
Digit 11 – Cabinet Width Size B = 18" C = 23.5" D = 26.5"		
Digit 12 – Refrigerant Control 3 = TXV Non-Bleed 6 = FCCV (Flow Control/Check Valve)		
Digit 13 – Placeholder 0 - Nothing/Blank		
Digit 14 – Minor Design Modifications		
Digit 15 – Unit Parts Identifier		
1 of 1		

