

Part No.	Reference No.	Quantity	Description
0000150251~S	*		COIL PARTS LIST
0000150252~S	*		CONTROLS PARTS LIST
0000167714~S	*		DRAIN PAN

COIL PARTS LIST

Parts List Number :0000150202

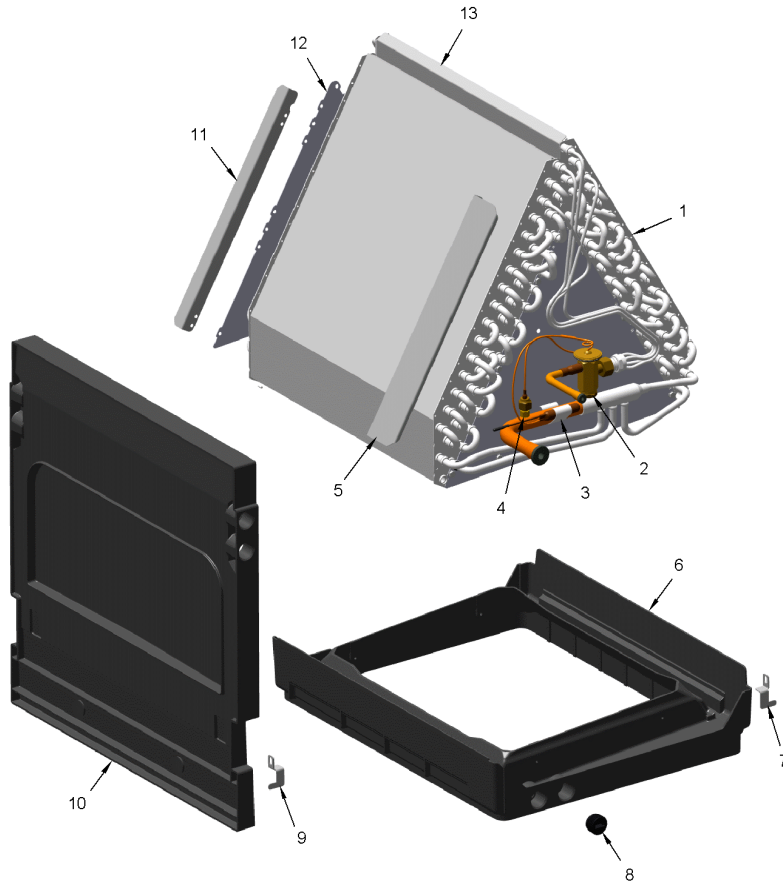
Model Number :A4AH5E19A1B30AA

Part No.	Reference No.	Quantity	Description
0000032428~P	*		COIL PARTS LIST

COIL

75012598

RP
A



This is a typical illustration. The unit in the field may not appear exactly as shown.

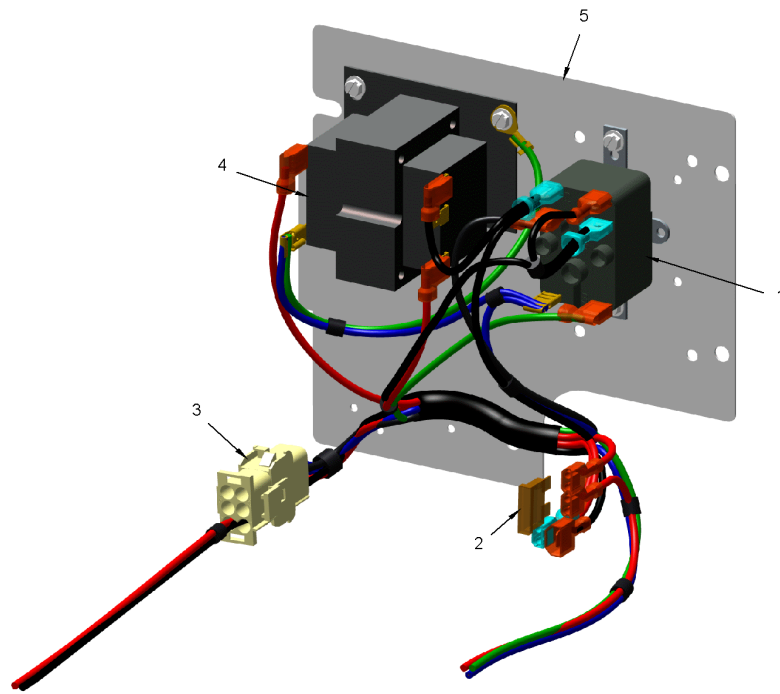
Part No.	Reference No.	Quantity	Description
CLP00200	*	1	CLIP; BULB
NUT01223	*	1	NUT; HEX NUT, 7/8, 3/4-20-2B UNEF THREAD
PAN03386	*	1	PAN; DRAIN, HORIZONTAL, 20.67 X 20.38
SCR01510	*	24	SCREW; 10-16 AB HXW 1/2 SN
TIE00026	*	1	TIE; CABLE, 8-1/2IN.
COL31099	1*	1	COIL, BLK EPOXY; ASSEMBLY, INCLUDES DRAIN PAN & TXV
COL31304	1	1	COIL; ASSEMBLY, INCLUDES DRAIN PAN & TXV
TUB16038	3	1	TUBE; ASM - FLOW CONTROL - INCLUDES TXV
TUB14354	3a	1	TUBE; LIQUID TUBE ASSEMBLY
BOD00114	4	1	BODY; VALVE, BRASS, 7/16 HEX, 7/16 -20 UNF-2A
PLU01169	8	1	PLUG; THREADED 3/4
PAN04389	10	1	PAN; UPFLOW DRAIN PAN ASM, B WIDTH

Part No.	Reference No.	Quantity	Description
0000026950~P	*		CONTROLS PARTS LIST

CONTROLS

75012597

RP
A



This is a typical illustration. The unit in the field may not appear exactly as shown.

Part No.	Reference No.	Quantity	Description
TIE00026	*	1	TIE; CABLE, 8-1/2IN.
FUS01089	2	1	FUSE; 5 AMP, TAN, AUTOMOTIVE STYLE
WIR09942	3	1	WIRE; HARNESS ASM-CTM
TRR01557	4	1	TRANSFORMER; 40VA, 200/230V PRI, 24V SEC
PLT05625	5	1	PLATE; CONTROL, 7.38 X 6.69

Part No.	Reference No.	Quantity	Description
0000035867~P	*		DRAIN PAN

Part No.	Reference No.	Quantity	Description
BRK04471	1	1	BRACKET; DRAIN PAN CLIP
PAN03386	2	1	PAN; DRAIN, HORIZONTAL, 20.67 X 20.38
PLU01169	3	2	PLUG; THREADED 3/4