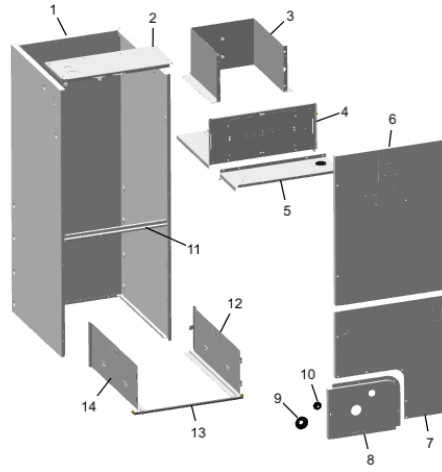


<b>Part No.</b>	<b>Reference No.</b>	<b>Quantity</b>	<b>Description</b>
000086608~S	*		BLOWER
000086609~S	*		CABINET
000086610~S	*		COIL
000086611~S	*		CONTROLS
000088686~S	*		GENERAL ASSEMBLY
0000101893~S	*		MODEL NUMBER DESCRIPTION
000086612~S	*		OPTIONAL EQUIPMENT

Part No.	Reference No.	Quantity	Description
000002622~P	*		BLOWER PARTS LIST

<b>Part No.</b>	<b>Reference No.</b>	<b>Quantity</b>	<b>Description</b>
HUS04351	1	1	HOUSING; BLOWER, METAL, 8.325 INTERIOR WIDTH
WHL02916	2	1	WHEEL; BLOWER, 11 IN DIA, 8 IN WIDTH, 0.50 IN BORE, CW
BND00910	3	1	BAND; MOTOR MOUNT
NUT01063	4a	1	NUT; LOCKING NYLON
SCR01584	4b	1	BOLT; 1/4-20 MA HX 1.5 S
MOT18580	5	1	MOTOR; 1/3HP PSC
BRK05027	6	1	BRACKET; MOTOR MOUNT, 3.28 X 3.25, INCLUDES GROMMET
CPT00265	7a	1	CAPACITOR; 7.5 MFD, 440V
SRP00091	7b	1	STRAP, CAPACITOR

Part No.	Reference No.	Quantity	Description
000002629~P	*		CABINET PARTS LIST



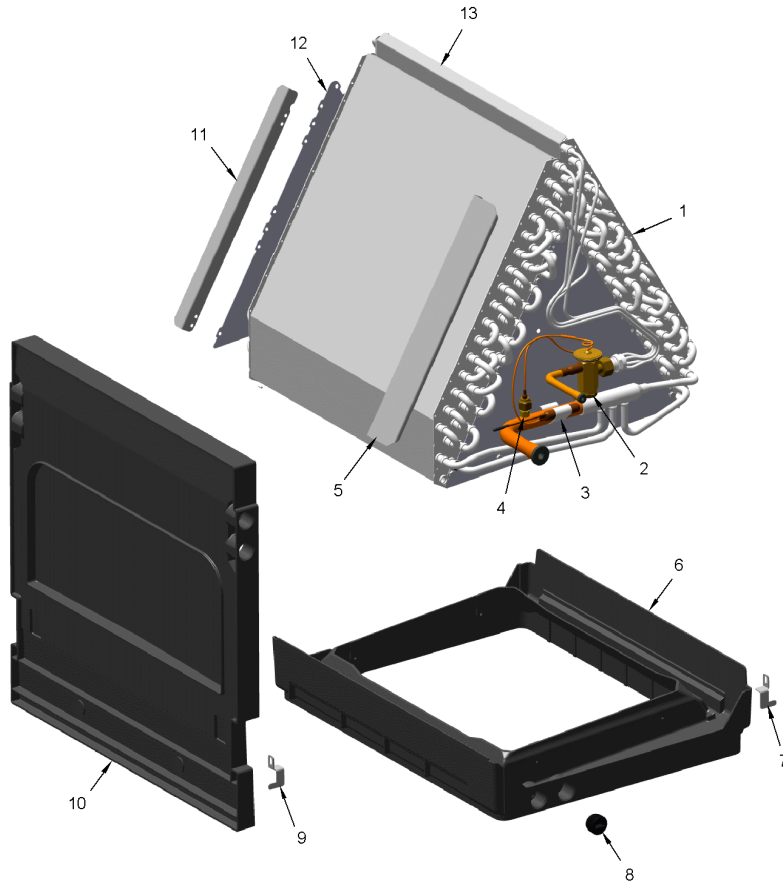
<b>Part No.</b>	<b>Reference No.</b>	<b>Quantity</b>	<b>Description</b>
PNL36870	1	1	PANEL; INSUL ASM-WRAPPER
PNL36872	2	1	PANEL; INSUL ASM-TOP COVER
SUP06389	4	1	SUPPORT; BLOWER SHELF, 13.57 X 22.95 X 7.94
PNL36865	6	1	PANEL; INSUL ASM-BLOWER
PNL36861	7	1	PANEL; INSUL ASM-COIL
PNL36863	8	1	PANEL; INSUL ASM-LINE SET
GRM00863	9	1	GROMMET; SUCTION GROMMET
GRM00864	10	1	GROMMET; CONE GROMMET, LIQUID LINE
SUP05666	11	1	SUPPORT; CROSSMEMBER, MIDDLE, 22.39 L
SUP05662	12	1	SUPPORT; COIL SHIELD, RIGHT, 20.04 X 7.72
SUP05664	13	1	SUPPORT; CROSSMEMBER, BOTTOM, 23.37 L
SUP05661	14	1	SUPPORT; COIL SHIELD, LEFT, 20.04 X 7.72

Part No.	Reference No.	Quantity	Description
000002645~P	*		COIL PARTS LIST

COIL

75012598

RP  
A



This is a typical illustration. The unit in the field may not appear exactly as shown.

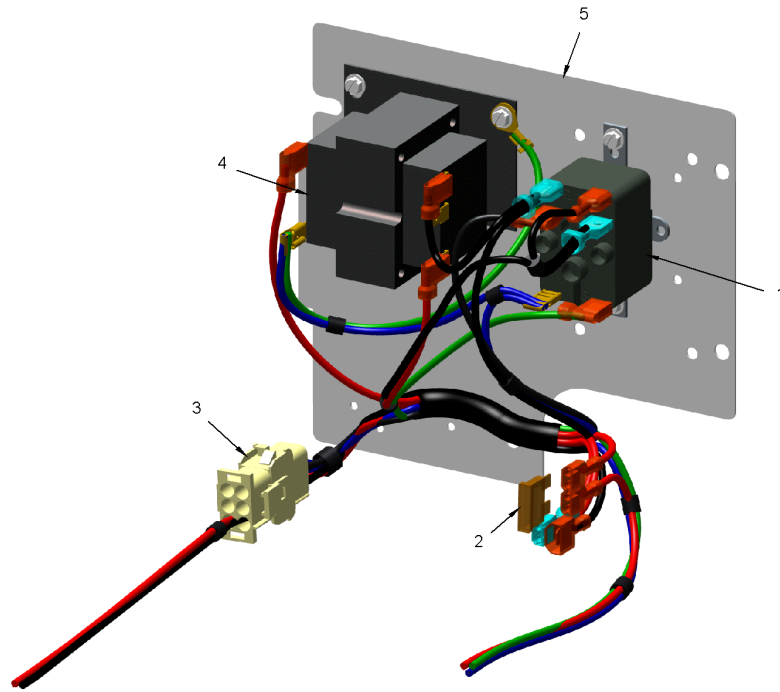
Part No.	Reference No.	Quantity	Description
VAL20680		1	VALVE; TXV CHATLEFF EXPANSION VALVE, HXCE-6-ZX200 CHTXCHTX1B
COL31305	1	1	COIL; ASSEMBLY, INCLUDES DRAIN PAN & TXV
COL31100	1A	1	COIL, BLK EPOXY; ASSEMBLY, INCLUDES DRAIN PAN & TXV
VAL11539	2	1	VALVE; TEV HXCE 6 KX200 R410A B15
CLP00182	3	1	CLIP, EXPANSION VALVE
BOD00114	4	1	BODY; VALVE, BRASS, 7/16 HEX, 7/16 -20 UNF-2A
DIV00330	5	1	DIVERTER, COIL
PAN03385	6	1	PAN; DRAIN, UPFLOW, 21.50 X 20.07
BRK04501	7	1	BRACKET; COIL, 1.73 X 1.00 X 0.46, RIGHT SIDE
PLU01169	8	1	PLUG; THREADED 3/4
BRK04500	9	1	BRACKET; COIL, 1.73 X 1.00 X 0.46, LEFT SIDE
PAN03387	10a	1	PAN; DRAIN, HORIZONTAL, 26.92 X 20.38
PLU01169	10b	2	PLUG; THREADED 3/4
DIV00334	11	1	DIVERTER; COIL, REAR, 1.04 X 0.77 X 18.75
BAF01413	12	2	BAFFLE; COIL
DIV00332	13	1	DIVERTER; COIL, 16.38 X 1.20 X 0.57

Part No.	Reference No.	Quantity	Description
000002647~P	*		CONTROLS PARTS LIST

CONTROLS

75012597

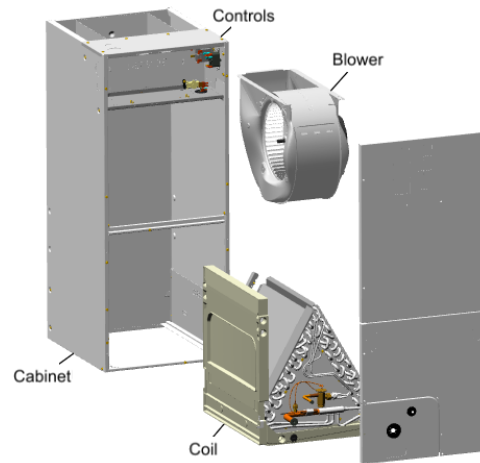
RP  
A



This is a typical illustration. The unit in the field may not appear exactly as shown.

<b>Part No.</b>	<b>Reference No.</b>	<b>Quantity</b>	<b>Description</b>
RLY01951	1	1	RELAY; SPDT, NO-NC, 24CV, REVERSING
FUS01089	2	1	FUSE; 5 AMP, TAN, AUTOMOTIVE STYLE
WIR08988	3	1	WIRE; HARNESS, ASM-PSC
TRR01557	4	1	TRANSFORMER; 40VA, 200/230V PRI, 24V SEC
PLT05625	5	1	PLATE; CONTROL, 7.38 X 6.69

Part No.	Reference No.	Quantity	Description
000004267~P	*		GENERAL ASSEMBLY GRAPHIC



Part No.	Reference No.	Quantity	Description
000009818~P	*		MODEL NUMBER GRAPHIC

MODEL NUMBER DESCRIPTION	75013901	REV A
AIR HANDLER		
<i>Example Model Number:</i> <b>A 4 A H 4 P 2 4 A 1 B 3 0 A A</b> 1 - - - 5 - - - 10 - - - 15		
<b>Digit 1 – Brand</b> A = RunTru Brand		
<b>Digit 2 – Refrigerant Type</b> 4 = R410a		
<b>Digit 3,4 – Product Family</b> AH = Air Handler Unit		
<b>Digit 5 – Nominal Efficiency Rating</b> 4 = 14 SEER 6 = 16 SEER		
<b>Digits 6 – Blower Type</b> P = PSC V = Variable Speed E = Constant Torque ECM		
<b>Digit 7,8 – Nominal Capacity</b> BTU/HOUR x 1000		
<b>Digit 9 – Major Development Sequence</b>		
<b>Digit 10 – Electric Power Supply</b> 1 = 200-230/1PH/60Hz or 208-230/1PH/60Hz		
<b>Digit 11 – Cabinet Width Size</b> B = 18" C = 23.5" D = 26.5"		
<b>Digit 12 – Refrigerant Control</b> 3 = TXV Non-Bleed 6 = FCCV (Flow Control/Check Valve)		
<b>Digit 13 – Placeholder</b> 0 - Nothing/Blank		
<b>Digit 14 – Minor Design Modifications</b>		
<b>Digit 15 – Unit Parts Identifier</b>		
1 of 1		

Part No.	Reference No.	Quantity	Description
000002627~P	*		OPTIONAL EQUIPMENT LIST

Part No.	Reference No.	Quantity	Description
BAYATXV4248B	*	1	KIT; FIELD MOUNTED TXV
BAYHTR1504LUGB	*	1	4KW HEATER LUGS
BAYHTR1505LUGB	*	1	5KW HEATER LUGS
BAYHTR1508LUGB	*	1	8KW HEATER LUGS
BAYHTR1510LUGB	*	1	10KW HEATER LUGS
BAYHTR1517BRKA	*	1	HEATER 15KW-1PH
BAYHTR1523BRKA	*	1	HEATER 20KW-1PH
BAYHTR3517LUGA	*	1	HEATER 15KW-3PH
BAYSF1235AAA	*	1	FRAME; FILTER, 1 INCH FILTER & FRAME, 23.5 INCHES
BAYSPEKT201A	*	1	KIT; SINGLE POINT POWER ENTRY (BAYSPEKT201A)
BAYTEMDFKT1A	*	1	KIT; DOWNFLOW
BAYTEMSPFG1A	*	1	DUCT FLANGE KIT
FLRSF1235	*	1	FILTER; 1 INCH MERV 4 FILTER, 22.75X19.75X.75 (1 EACH = 12 FILTERS)
KIT18054	*	1	KIT; EMI/EFI AIR HANDLER ELECTRIC NOISE KIT FOR VARIABLE SPEED BLOWER MOTOR (BAYAHEMIKIT001A)
TAYBASE185	*	1	KIT; DOWNFLOW SUB-BASE KIT, 18.5 CABINET
TAYBASE235	*	1	DOWNFLOW SUB-BASE KIT
TEMBRKSEALKT01A	*	1	KIT-BREAKER SEAL