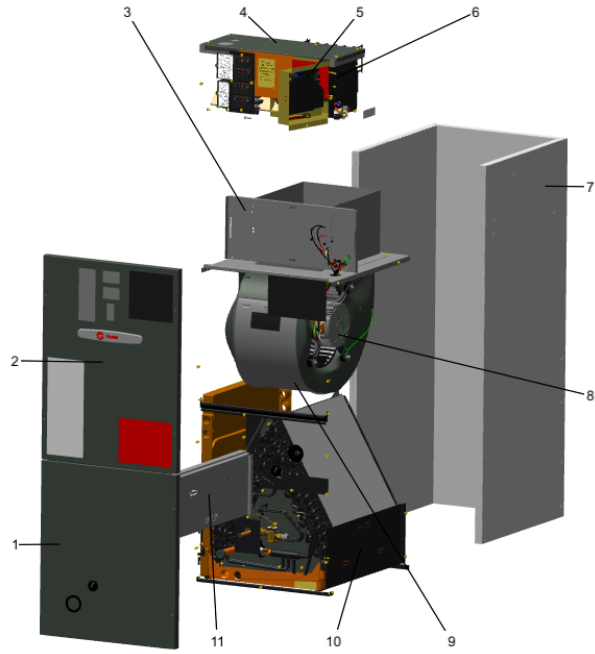


<b>Part No.</b>	<b>Reference No.</b>	<b>Quantity</b>	<b>Description</b>
0000159611~S	*		AIR HANDLER PARTS LIST
0000150249~S	*		BLOWER PARTS LIST
0000150251~S	*		COIL PARTS LIST
0000150252~S	*		CONTROLS PARTS LIST
0000150248~S	*		GENERAL ASSEMBLY
0000150254~S	*		MODEL NUMBER DESCRIPTION
0000150253~S	*		OPTIONAL ACCESORIES

Part No.	Reference No.	Quantity	Description
0000027015~P	*		AIR HANDLER PARTS LIST



Part No.	Reference No.	Quantity	Description
BRK04471	*	1	BRACKET; DRAIN PAN CLIP
BRK04500	*	1	BRACKET; COIL, 1.73 X 1.00 X 0.46, LEFT SIDE
BRK04501	*	1	BRACKET; COIL, 1.73 X 1.00 X 0.46, RIGHT SIDE
BRK05027	*	3	BRACKET; MOTOR MOUNT, 3.28 X 3.25, INCLUDES GROMMET
NUT01063	*	1	NUT; LOCKING NYLON
NUT01223	*	1	NUT; HEX NUT, 7/8, 3/4-20-2B UNEF THREAD
SCR01510	*	62	SCREW; 10-16 AB HXW 1/2 SN
SCR02108	*	13	SCREW; SCR 10-16 AB HXW 5/8 S
SRP00091	*	1	STRAP, CAPACITOR
SUP05663	*	1	SUPPORT; CROSSMEMBER, BOTTOM, 18.37 L
PNL36860	1	1	PANEL; INSUL ASM-COIL
PNL36864	2	1	PANEL; INSUL ASM-BLOWER
SUP06388	3	1	SUPPORT; BLOWER SHELF, 13.57 X 17.95 X 7.94
PNL36871	4	1	PANEL; INSUL ASM-TOP COVER
PNL36869	7	1	PANEL; INSUL ASM-WRAPPER
MOT18581	8	1	MOTOR; 1/3 HP, 208-230/60/1, 825 RPM, TYPE PSC, NEMA 48 FRAME, BALL BEARING, 7.5 MFD CPT AT 440V
SUP05665	9	1	SUPPORT; CROSSMEMBER, MIDDLE, 17.39 L
SUP05661	10	1	SUPPORT; COIL SHIELD, LEFT, 20.04 X 7.72
SUP05662	11	1	SUPPORT; COIL SHIELD, RIGHT, 20.04 X 7.72

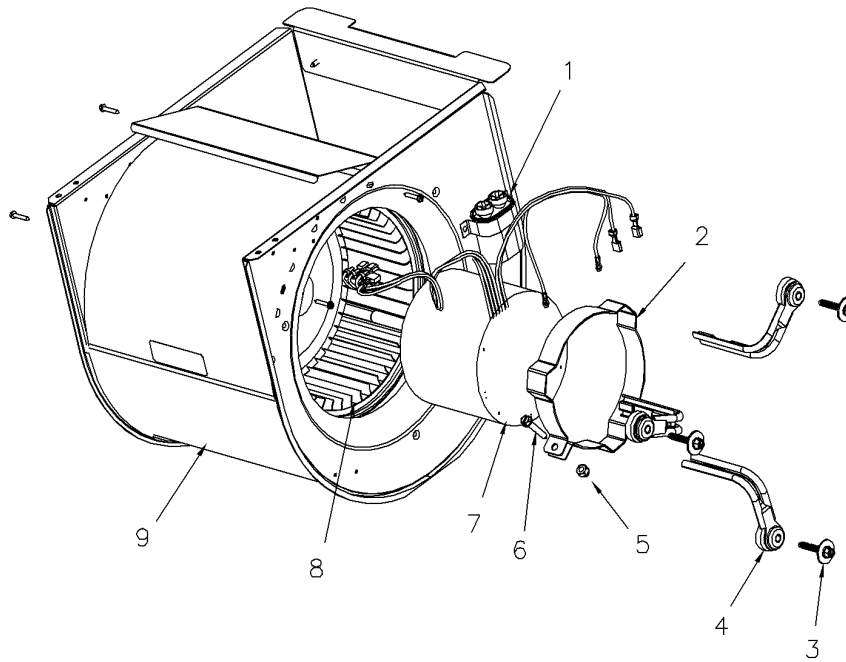
<b>Part No.</b>	<b>Reference No.</b>	<b>Quantity</b>	<b>Description</b>
0000026896~P	*		BLOWER PARTS LIST
0000026905~P	*		BLOWER PARTS LIST

Blower

75010111

REV  
A

Typical illustration. Unit may not appear exactly as shown.

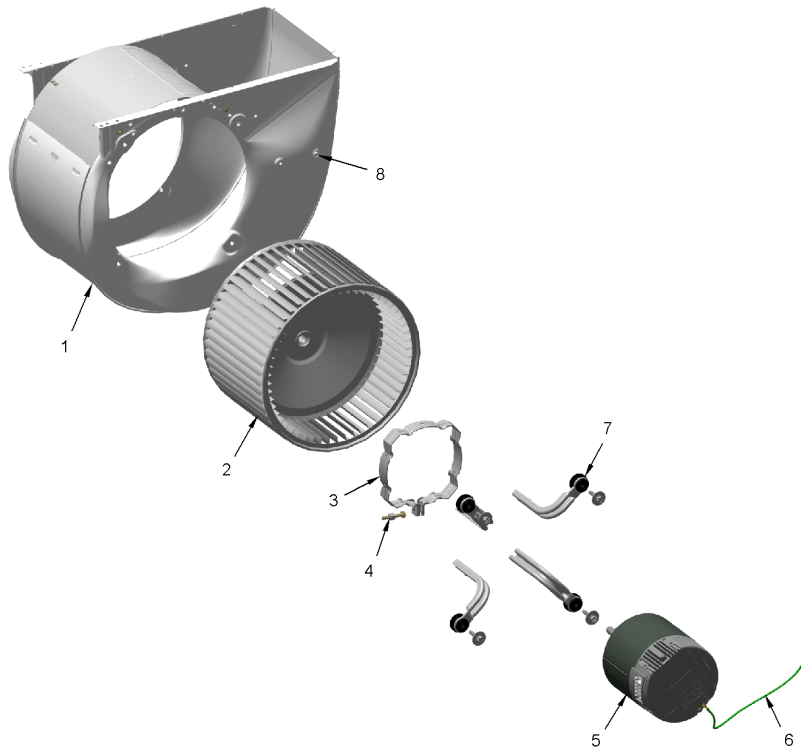


<b>Part No.</b>	<b>Reference No.</b>	<b>Quantity</b>	<b>Description</b>
TIE00023	*	1	TIE;CABLE, 8.00IN.
CPT00265	1	1	CAPACITOR; 7.5 MFD, 440V
SRP00091	1a	1	STRAP, CAPACITOR
BND00910	2	1	BAND; MOTOR MOUNT
BRK05027	4	3	BRACKET; MOTOR MOUNT, 3.28 X 3.25, INCLUDES GROMMET
NUT01063	5	1	NUT; LOCKING NYLON
MOT18581	7	1	MOTOR; 1/3 HP, 208-230/60/1, 825 RPM, TYPE PSC, NEMA 48 FRAME, BALL BEARING, 7.5 MFD CPT AT 440V
WHL02916	8	1	WHEEL; BLOWER, 11 IN DIA, 8 IN WIDTH, 0.50 IN BORE, CW
HUS04351	9	1	HOUSING; BLOWER, METAL, 8.325 INTERIOR WIDTH

BLOWER

75012600

RP  
A



This is a typical illustration. The unit in the field may not appear exactly as shown.

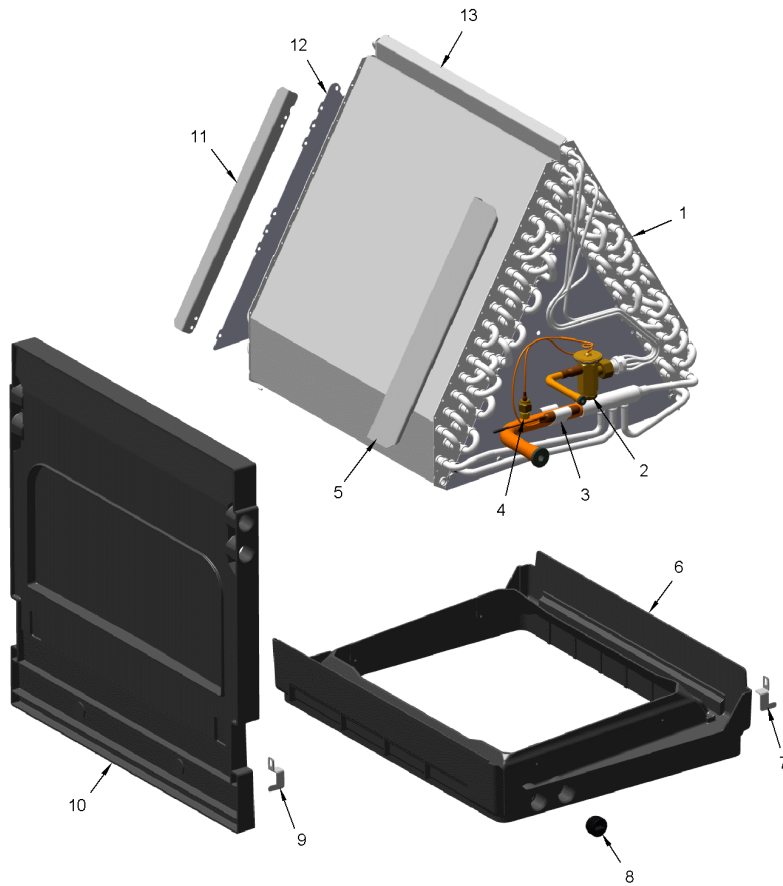
Part No.	Reference No.	Quantity	Description
BND00917	*	1	BAND; BELLY BAND ASSEMBLY, INCLUDES BAND, MOTOR LEGS, MOUNTING HARDWARE
BRK05028	*	4	BRACKET; MOTOR MOUNT, 3.28 X 4.55, INCLUDES GROMMET
TIE00023	*	1	TIE;CABLE, 8.00IN.
HUS04351	1	1	HOUSING; BLOWER, METAL, 8.325 INTERIOR WIDTH
WHL02916	2	1	WHEEL; BLOWER, 11 IN DIA, 8 IN WIDTH, 0.50 IN BORE, CW
BND00932	3	1	BAND; MOTOR MOUNT, 17.62 LENGTH
NUT01063	4	1	NUT; LOCKING NYLON
MOT19582	5	1	MOTOR; CONSTANT TORQUE, PROGRAMMED, 1/3 HP, 208-230/60/1, 48 FRAME, BALL BEARING
BND00934	7	1	BAND; BELLY BAND ASSEMBLY, INCLUDES BAND, MOTOR LEGS, MOUNTING HARDWARE
MOT19283	8	4	MOUNT; MOTOR MOUNT BRACKET, LEG & SCREW ASM
SCR02081	9	1	SCREW; 10-24 C HXW 1/2 SN

Part No.	Reference No.	Quantity	Description
0000026914~P	*		COIL PARTS LIST

COIL

75012598

RP  
A



This is a typical illustration. The unit in the field may not appear exactly as shown.

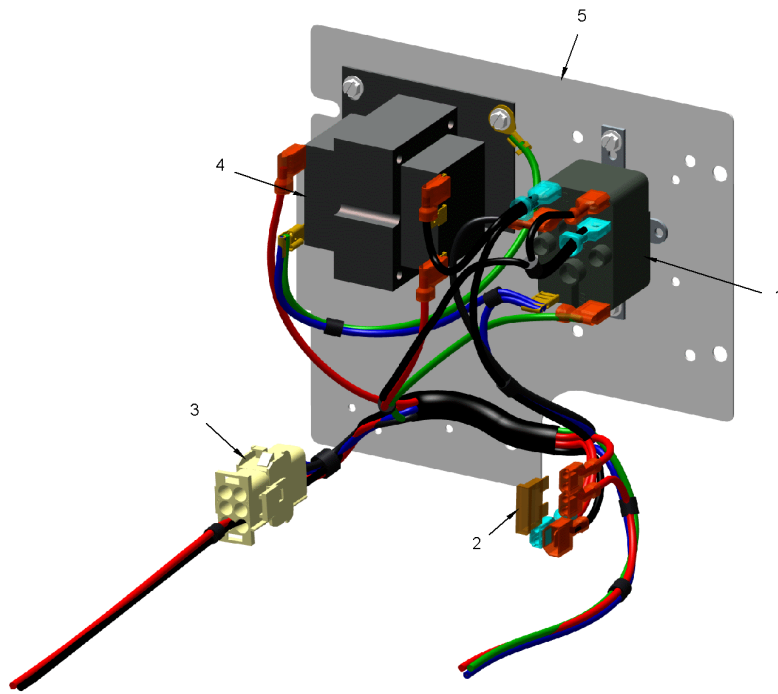
Part No.	Reference No.	Quantity	Description
PAN04390	*	1	PAN; UPFLOW DRAIN PAN ASM, C WIDTH
CLP00200		1	CLIP; BULB
NUT01223		1	NUT; HEX NUT, 7/8, 3/4-20-2B UNEF THREAD
PAN03386		1	PAN; DRAIN, HORIZONTAL, 20.67 X 20.38
SCR01510		24	SCREW; 10-16 AB HXW 1/2 SN
TIE00026		1	TIE; CABLE, 8-1/2IN.
COL31304	1*	1	COIL; ASSEMBLY, INCLUDES DRAIN PAN & TXV
COL31099	1	1	COIL, BLK EPOXY; ASSEMBLY, INCLUDES DRAIN PAN & TXV
TUB14354	3	1	TUBE; LIQUID TUBE ASSEMBLY
BOD00114	4	1	BODY; VALVE, BRASS, 7/16 HEX, 7/16 -20 UNF-2A
VAL12353	4a	1	VALVE; TEV HXCE 3 ZX200 B15 R410A
PLU01169	8	1	PLUG; THREADED 3/4

Part No.	Reference No.	Quantity	Description
0000026949~P	*		CONTROLS PARTS LIST

CONTROLS

75012597

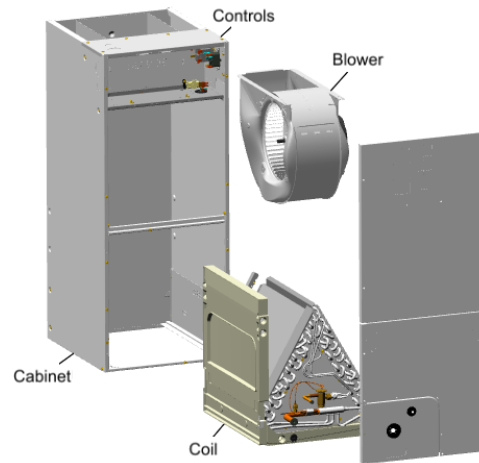
RP  
A



This is a typical illustration. The unit in the field may not appear exactly as shown.

<b>Part No.</b>	<b>Reference No.</b>	<b>Quantity</b>	<b>Description</b>
TIE00026	*	1	TIE; CABLE, 8-1/2IN.
RLY01951	1	1	RELAY; SPDT, NO-NC, 24CV, REVERSING
FUS01089	2	1	FUSE; 5 AMP, TAN, AUTOMOTIVE STYLE
WIR08988	3	1	WIRE; HARNESS, ASM-PSC
TRR01557	4	1	TRANSFORMER; 40VA, 200/230V PRI, 24V SEC
PLT05625	5	1	PLATE; CONTROL, 7.38 X 6.69

Part No.	Reference No.	Quantity	Description
000004267~P	*		GENERAL ASSEMBLY GRAPHIC



Part No.	Reference No.	Quantity	Description
000009818~P	*		MODEL NUMBER GRAPHIC

MODEL NUMBER DESCRIPTION

75013901

REV  
A

AIR HANDLER

*Example Model Number:*

**A 4 A H 4 P 2 4 A 1 B 3 0 A A**  
1 - - - 5 - - - 10 - - - 15

**Digit 1 – Brand**

A = RunTru Brand

**Digit 2 – Refrigerant Type**

4 = R410a

**Digit 3,4 – Product Family**

AH = Air Handler Unit

**Digit 5 – Nominal Efficiency Rating**

4 = 14 SEER

6 = 16 SEER

**Digits 6 – Blower Type**

P = PSC

V = Variable Speed

E = Constant Torque ECM

**Digit 7,8 – Nominal Capacity**

BTU/HOUR x 1000

**Digit 9 – Major Development Sequence**

**Digit 10 – Electric Power Supply**

1 = 200-230/1PH/60Hz or 208-230/1PH/60Hz

**Digit 11 – Cabinet Width Size**

B = 18"

C = 23.5"

D = 26.5"

**Digit 12 – Refrigerant Control**

3 = TXV Non-Bleed

6 = FCCV (Flow Control/Check Valve)

**Digit 13 – Placeholder**

0 - Nothing/Blank

**Digit 14 – Minor Design Modifications**

**Digit 15 – Unit Parts Identifier**

Part No.	Reference No.	Quantity	Description
000002626~P	*		OPTIONAL EQUIPMENT LIST

Part No.	Reference No.	Quantity	Description
BAYATXV4248B	*	1	KIT; FIELD MOUNTED TXV
BAYHTR1504LUGB	*	1	4KW HEATER LUGS
BAYHTR1505LUGB	*	1	5KW HEATER LUGS
BAYHTR1508LUGB	*	1	8KW HEATER LUGS
BAYHTR1510LUGB	*	1	10KW HEATER LUGS
BAYHTR1517BRKA	*	1	HEATER 15KW-1PH
BAYHTR1523BRKA	*	1	HEATER 20KW-1PH
BAYHTR3517LUGA	*	1	HEATER 15KW-3PH
BAYSF1185BAA	*	1	1 IN FILTER AND INSULATED FRAME, 18.5 IN
BAYSPEKT201A	*	1	KIT; SINGLE POINT POWER ENTRY (BAYSPEKT201A)
BAYTEMSPFG1A	*	1	DUCT FLANGE KIT
FLRSF1185	*	1	FILTER; 1 INCH MERV 4 FILTER, 17.75X19.75X.75 (1 EACH = 12 FILTERS)
KIT18054	*	1	KIT; EMI/EFI AIR HANDLER ELECTRIC NOISE KIT FOR VARIABLE SPEED BLOWER MOTOR (BAYAHEMIKIT001A)
TAYBASE185	*	1	KIT; DOWNFLOW SUB-BASE KIT, 18.5 CABINET
TAYBASE235	*	1	DOWNFLOW SUB-BASE KIT
TEMBRKSEALKT01A	*	1	KIT-BREAKER SEAL