

Parts List Number :0000150202

Model Number :A4AH4P30A1B60CA

Part No.	Reference No.	Quantity	Description
0000159611~S	*		AIR HANDLER PARTS LIST
0000150251~S	*		COIL PARTS LIST
0000150248~S	*		GENERAL ASSEMBLY
0000150254~S	*		MODEL NUMBER DESCRIPTION

Part No.	Reference No.	Quantity	Description
0000027018~P	*		AIR HANDLER PARTS LIST

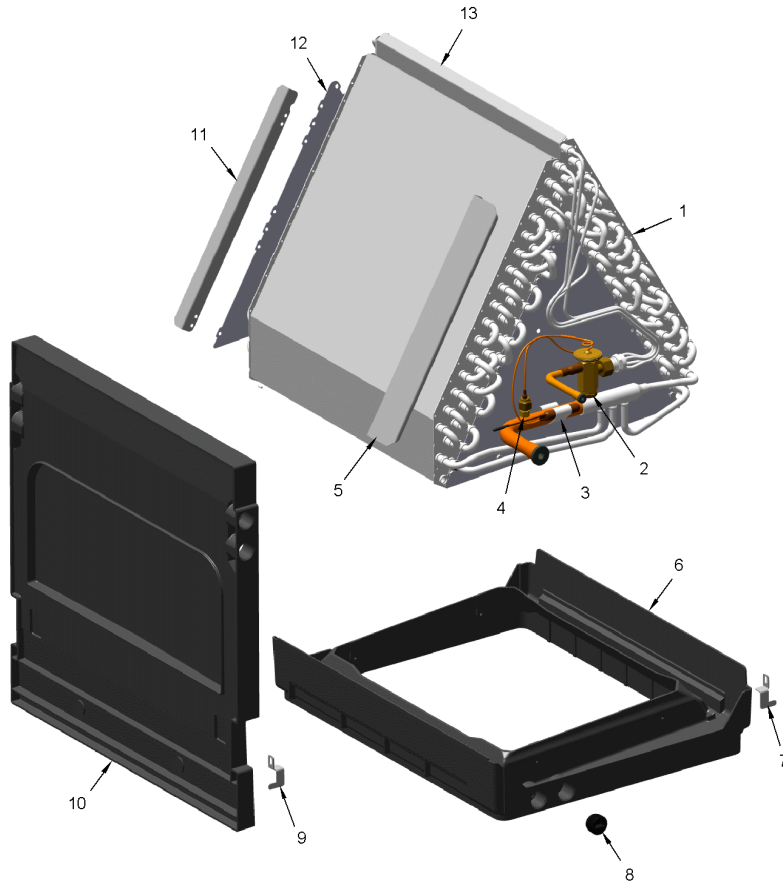
Part No.	Reference No.	Quantity	Description
BRK04471	*	1	BRACKET; DRAIN PAN CLIP
BRK04500	*	1	BRACKET; COIL, 1.73 X 1.00 X 0.46, LEFT SIDE
BRK04501	*	1	BRACKET; COIL, 1.73 X 1.00 X 0.46, RIGHT SIDE
MOT18582	*	1	MOTOR; 1/5 HP, 208-230/60/1, 825 RPM, TYPE PSC, NEMA 48 FRAME, BALL BEARING, 5 MFD CPT AT 440V
NUT01063	*	1	NUT; LOCKING NYLON
SCR01510	*	62	SCREW; 10-16 AB HXW 1/2 SN
SCR02108	*	13	SCREW; SCR 10-16 AB HXW 5/8 S
SUP05663	*	1	SUPPORT; CROSSMEMBER, BOTTOM, 18.37 L
NUT01223		1	NUT; HEX NUT, 7/8, 3/4-20-2B UNEF THREAD
PNL36860	1	1	PANEL; INSUL ASM-COIL
PNL36864	2	1	PANEL; INSUL ASM-BLOWER
SUP06387	3	1	SUPPORT; BLOWER SHELF, 13.57 X 17.95 X 7.94
PNL36871	4	1	PANEL; INSUL ASM-TOP COVER
PNL36869	7	1	PANEL; INSUL ASM-WRAPPER
BRK05027	8	3	BRACKET; MOTOR MOUNT, 3.28 X 3.25, INCLUDES GROMMET
SUP05665	9	1	SUPPORT; CROSSMEMBER, MIDDLE, 17.39 L
SUP05662	10	1	SUPPORT; COIL SHIELD, RIGHT, 20.04 X 7.72
SUP05661	11	1	SUPPORT; COIL SHIELD, LEFT, 20.04 X 7.72

Part No.	Reference No.	Quantity	Description
0000032429~P	*		COIL PARTS LIST

COIL

75012598

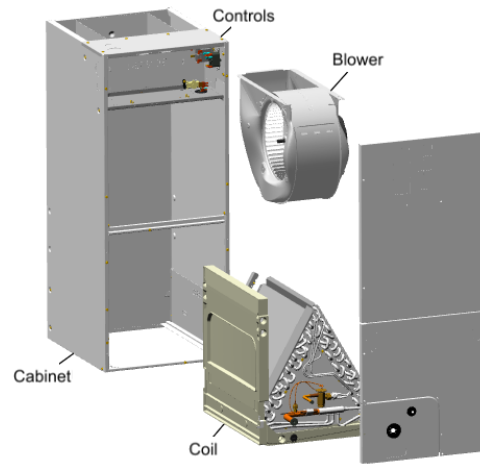
RP
A



This is a typical illustration. The unit in the field may not appear exactly as shown.

Part No.	Reference No.	Quantity	Description
COR00103	*	1	CORE; VALVE, .79 LENGTH, .206-36 UNS-1 MOD. THD
PAN04389	*	1	PAN; UPFLOW DRAIN PAN ASM, B WIDTH
SCR01510	*	24	SCREW; 10-16 AB HXW 1/2 SN
TIE00026	*	1	TIE; CABLE, 8-1/2IN.
TUB15744	*	1	TUBE; FORMED FLOW CONTROL
WAS01180	*	1	WASHER; TEFLON, 0.46 ID X 0.56 OD X 0.056 THK
COL31304	1*	1	COIL; ASSEMBLY, INCLUDES DRAIN PAN & TXV
COL31099	1	1	COIL, BLK EPOXY; ASSEMBLY, INCLUDES DRAIN PAN & TXV
VAL12768	2	1	VALVE; TEV HXCE 2 KX200 B15 R410A
NUT01223	2a	1	NUT; HEX NUT, 7/8, 3/4-20-2B UNEF THREAD
PLU01169	4	1	PLUG; THREADED 3/4
BOD00114	5	1	BODY; VALVE, BRASS, 7/16 HEX, 7/16 -20 UNF-2A
CAP00455	7	1	CAP; HUB, 7/16-20 STRAIGHT

Part No.	Reference No.	Quantity	Description
000004267~P	*		GENERAL ASSEMBLY GRAPHIC



Part No.	Reference No.	Quantity	Description
000009818~P	*		MODEL NUMBER GRAPHIC

MODEL NUMBER DESCRIPTION

75013901

REV
A

AIR HANDLER

Example Model Number:

A 4 A H 4 P 2 4 A 1 B 3 0 A A
1 - - - 5 - - - 10 - - - 15

Digit 1 – Brand

A = RunTru Brand

Digit 2 – Refrigerant Type

4 = R410a

Digit 3,4 – Product Family

AH = Air Handler Unit

Digit 5 – Nominal Efficiency Rating

4 = 14 SEER

6 = 16 SEER

Digits 6 – Blower Type

P = PSC

V = Variable Speed

E = Constant Torque ECM

Digit 7,8 – Nominal Capacity

BTU/HOUR x 1000

Digit 9 – Major Development Sequence

Digit 10 – Electric Power Supply

1 = 200-230/1PH/60Hz or 208-230/1PH/60Hz

Digit 11 – Cabinet Width Size

B = 18"

C = 23.5"

D = 26.5"

Digit 12 – Refrigerant Control

3 = TXV Non-Bleed

6 = FCCV (Flow Control/Check Valve)

Digit 13 – Placeholder

0 - Nothing/Blank

Digit 14 – Minor Design Modifications

Digit 15 – Unit Parts Identifier

