

<b>Part No.</b>	<b>Reference No.</b>	<b>Quantity</b>	<b>Description</b>
0000159611~S	*		AIR HANDLER PARTS LIST
0000193591~S	*		CABINET
0000150251~S	*		COIL PARTS LIST
0000150252~S	*		CONTROLS PARTS LIST
0000167714~S	*		DRAIN PAN
0000150248~S	*		GENERAL ASSEMBLY
0000150254~S	*		MODEL NUMBER DESCRIPTION

Part No.	Reference No.	Quantity	Description
0000040627~P	*		AIR HANDLER PARTS LIST



Part No.	Reference No.	Quantity	Description
BRK04471	*	1	BRACKET; DRAIN PAN CLIP
BRK04500	*	1	BRACKET; COIL, 1.73 X 1.00 X 0.46, LEFT SIDE
BRK04501	*	1	BRACKET; COIL, 1.73 X 1.00 X 0.46, RIGHT SIDE
BRK05028	*	4	BRACKET; MOTOR MOUNT, 3.28 X 4.55, INCLUDES GROMMET
BRK05488	*	4	MOTOR; LEG-SCREW, ASM TW
MOT19283	*	4	MOUNT; MOTOR MOUNT BRACKET, LEG & SCREW ASM
MOT20699	*	1	MOTOR; CONSTANT TORQUE, PROGRAMMED, 1/3 HP, 208-230/60/1, 48 FRAME, BALL BEARING
NUT01063	*	1	NUT; LOCKING NYLON
NUT01223	*	1	NUT; HEX NUT, 7/8, 3/4-20-2B UNEF THREAD
PAN03386	*	1	PAN; DRAIN, HORIZONTAL, 20.67 X 20.38
PAN04389	*	1	PAN; UPFLOW DRAIN PAN ASM, B WIDTH
PLT05625	*	1	PLATE; CONTROL, 7.38 X 6.69
PNL36869	*	1	PANEL; INSUL ASM-WRAPPER
PNL36871	*	1	PANEL; INSUL ASM-TOP COVER
PNL38574	*	1	PANEL; LINE SET PANEL-GALVANIZED ASM
SCR01510	*	61	SCREW; 10-16 AB HXW 1/2 SN
SCR02108	*	13	SCREW; SCR 10-16 AB HXW 5/8 S
SUP05663	*	1	SUPPORT; CROSSMEMBER, BOTTOM, 18.37 L
SUP07128	*	1	SUPPORT-COIL SHIELD RT
PNL36864	1	1	PANEL; INSUL ASM-BLOWER
PLU01169	2	3	PLUG; THREADED 3/4
SUP06388	3	1	SUPPORT; BLOWER SHELF, 13.57 X 17.95 X 7.94
PNL36860	4	1	PANEL; INSUL ASM-COIL
SUP05665	9	1	SUPPORT; CROSSMEMBER, MIDDLE, 17.39 L

Part No.	Reference No.	Quantity	Description
0000045310~P	*		SUPPORT-COIL SHIELD PARTS LIST

Parts List Number :0000150202

Model Number :A4AH4E24A1B60AA

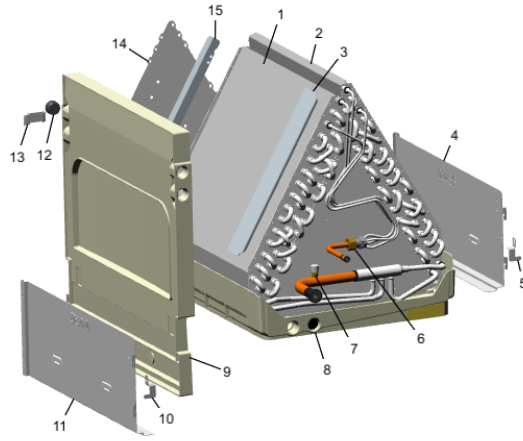
<b>Part No.</b>	<b>Reference No.</b>	<b>Quantity</b>	<b>Description</b>
SUP05662	1	1	SUPPORT; COIL SHIELD, RIGHT, 20.04 X 7.72

COIL PARTS LIST

Parts List Number :0000150202

Model Number :A4AH4E24A1B60AA

Part No.	Reference No.	Quantity	Description
0000026915~P	*		COIL PARTS LIST



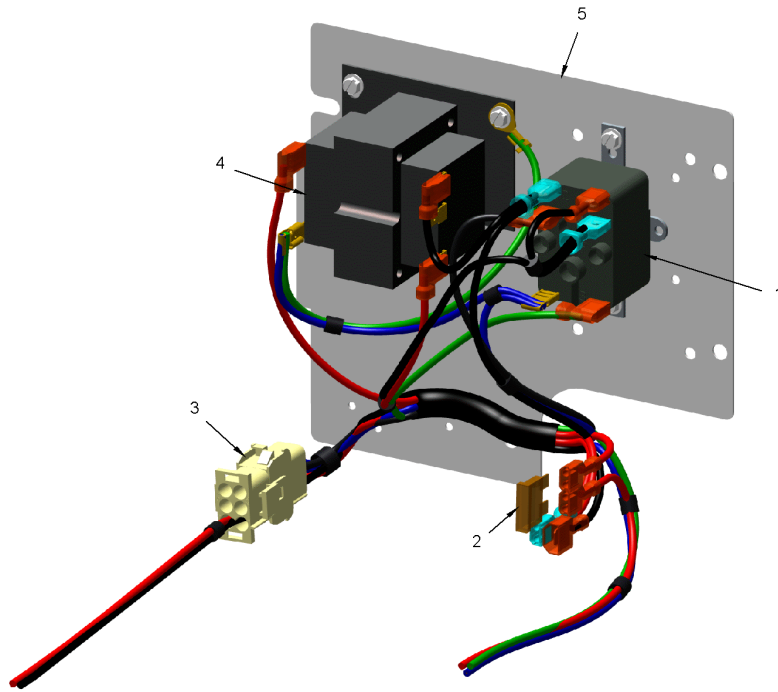
<b>Part No.</b>	<b>Reference No.</b>	<b>Quantity</b>	<b>Description</b>
CAP00455	*	1	CAP; HUB, 7/16-20 STRAIGHT
NUT01223	*	1	NUT; HEX NUT, 7/8, 3/4-20-2B UNEF THREAD
PLU01169	*	1	PLUG; THREADED 3/4
SCR01510	*	24	SCREW; 10-16 AB HXW 1/2 SN
TIE00026	*	1	TIE; CABLE, 8-1/2IN.
WAS01180	*	1	WASHER; TEFLON, 0.46 ID X 0.56 OD X 0.056 THK
PAN03386		1	PAN; DRAIN, HORIZONTAL, 20.67 X 20.38
PAN03389		1	DRAIN PAN, VERT FC 800
COL31304	1*	1	COIL; ASSEMBLY, INCLUDES DRAIN PAN & TXV
COL31099	1	1	COIL, BLK EPOXY; ASSEMBLY, INCLUDES DRAIN PAN & TXV
COR00103	3	1	CORE; VALVE, .79 LENGTH, .206-36 UNS-1 MOD. THD
BOD00114	4	1	BODY; VALVE, BRASS, 7/16 HEX, 7/16 -20 UNF-2A

Part No.	Reference No.	Quantity	Description
0000026950~P	*		CONTROLS PARTS LIST

CONTROLS

75012597

RP  
A



This is a typical illustration. The unit in the field may not appear exactly as shown.

<b>Part No.</b>	<b>Reference No.</b>	<b>Quantity</b>	<b>Description</b>
TIE00026	*	1	TIE; CABLE, 8-1/2IN.
FUS01089	2	1	FUSE; 5 AMP, TAN, AUTOMOTIVE STYLE
WIR09942	3	1	WIRE; HARNESS ASM-CTM
TRR01557	4	1	TRANSFORMER; 40VA, 200/230V PRI, 24V SEC
PLT05625	5	1	PLATE; CONTROL, 7.38 X 6.69

Part No.	Reference No.	Quantity	Description
0000035867~P	*		DRAIN PAN

<b>Part No.</b>	<b>Reference No.</b>	<b>Quantity</b>	<b>Description</b>
BRK04471	1	1	BRACKET; DRAIN PAN CLIP
PAN03386	2	1	PAN; DRAIN, HORIZONTAL, 20.67 X 20.38
PLU01169	3	2	PLUG; THREADED 3/4

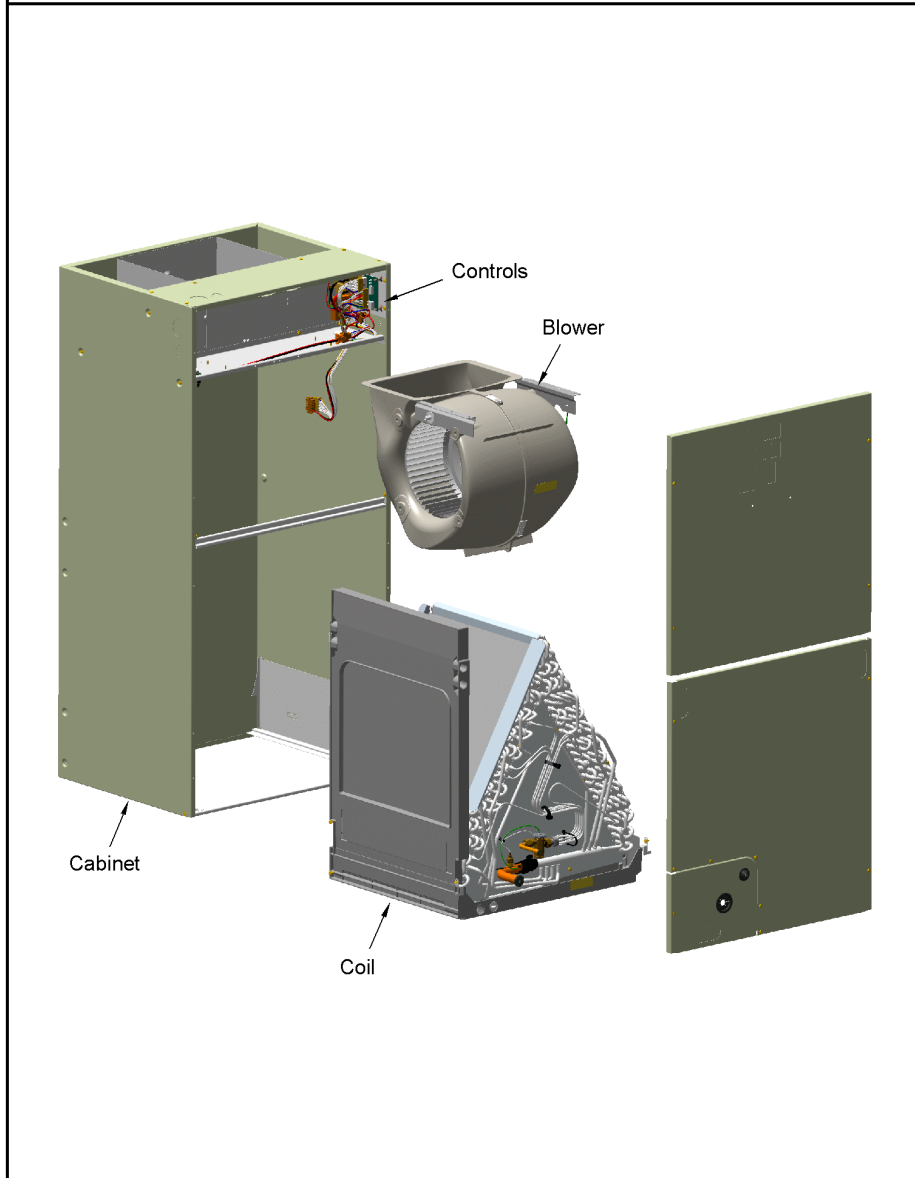
<b>Part No.</b>	<b>Reference No.</b>	<b>Quantity</b>	<b>Description</b>
0000004267~P	*		GENERAL ASSEMBLY GRAPHIC
0000027067~P	*		GENERAL ASSEMBLY GRAPHIC

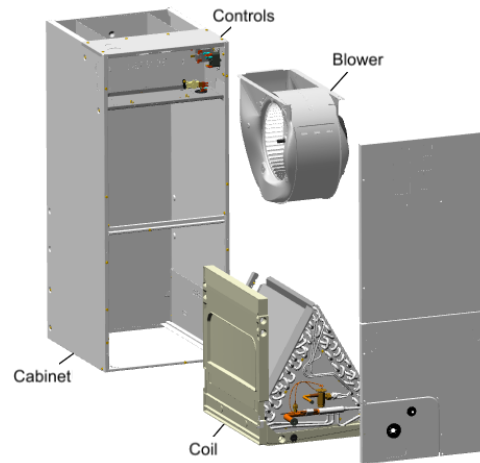
CONVERTIBLE AIR HANDLER

75010768

REV.  
A

TYPICAL ILLUSTRATION





Part No.	Reference No.	Quantity	Description
000009818~P	*		MODEL NUMBER GRAPHIC

MODEL NUMBER DESCRIPTION

75013901

REV  
A

AIR HANDLER

*Example Model Number:*

**A 4 A H 4 P 2 4 A 1 B 3 0 A A**  
1 - - - 5 - - - 10 - - - 15

**Digit 1 – Brand**

A = RunTru Brand

**Digit 2 – Refrigerant Type**

4 = R410a

**Digit 3,4 – Product Family**

AH = Air Handler Unit

**Digit 5 – Nominal Efficiency Rating**

4 = 14 SEER

6 = 16 SEER

**Digits 6 – Blower Type**

P = PSC

V = Variable Speed

E = Constant Torque ECM

**Digit 7,8 – Nominal Capacity**

BTU/HOUR x 1000

**Digit 9 – Major Development Sequence**

**Digit 10 – Electric Power Supply**

1 = 200-230/1PH/60Hz or 208-230/1PH/60Hz

**Digit 11 – Cabinet Width Size**

B = 18"

C = 23.5"

D = 26.5"

**Digit 12 – Refrigerant Control**

3 = TXV Non-Bleed

6 = FCCV (Flow Control/Check Valve)

**Digit 13 – Placeholder**

0 - Nothing/Blank

**Digit 14 – Minor Design Modifications**

**Digit 15 – Unit Parts Identifier**

