

Parts List Number :0000158632

Model Number :A4AC6060B1000A

Part No.	Reference No.	Quantity	Description
0000158633~S	*		CABINET
0000158634~S	*		CONTROLS
0000158635~S	*		FAN
0000158636~S	*		GENERAL ASSEMBLY
0000158609~S	*		MODEL NUMBER DESCRIPTION
0000158638~S	*		OPTIONAL ACCESORIES
0000158637~S	*		REFRIGERATION

Part No.	Reference No.	Quantity	Description
0000031553~P	*		CABINET

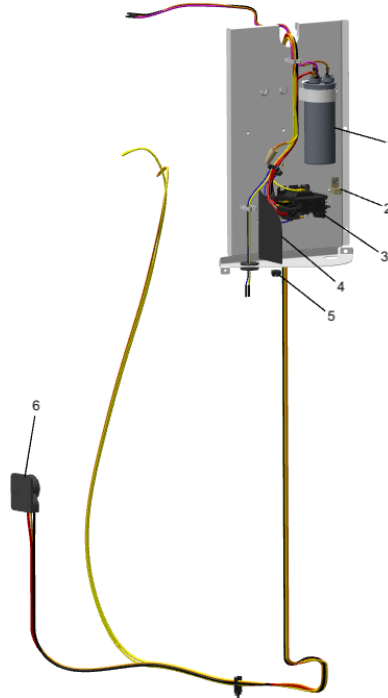
Part No.	Reference No.	Quantity	Description
COV05852	*	1	COVER; TOP SR 4
SCR02010	*	45	SCREW; 12-18 AB HXW 1/2 SN
SCR02054	*	45	SCREW; 12-18 AB HXW 1/2 SN
PNL37038	2	1	PANEL; CONTROL SR 4.6
COV05853	3	1	COVER; CONTROLS SR
PNL37030	4	3	PANEL; WRAPPER SR 4.6
BRK05354	5	1	BRACKET; BOTTOM-CONTROLS SR
PAN04325	6	1	PAN; BASE

CONTROLS

Parts List Number :0000158632

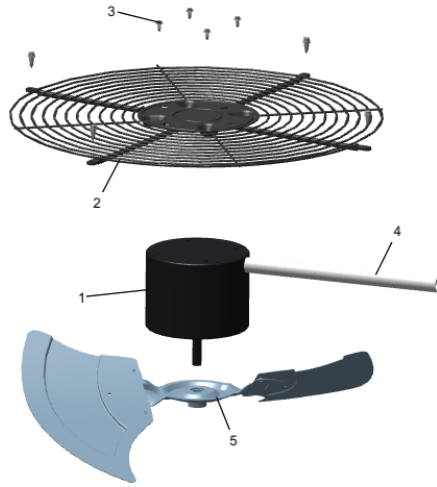
Model Number :A4AC6060B1000A

Part No.	Reference No.	Quantity	Description
0000031567~P	*		CONTROLS



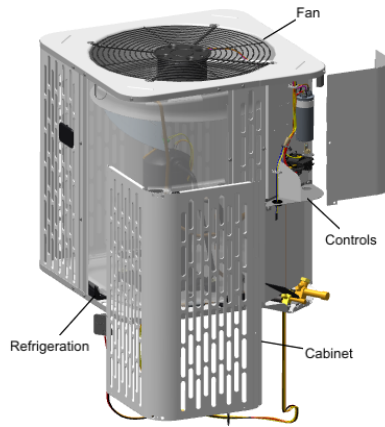
Part No.	Reference No.	Quantity	Description
CON00241	*	1	CONNECTOR; WIRE
SCR01918	*	3	SCREW, 10-24 THREAD ROLL, INDENT HEX WASHER HD
CPT02655	1	1	CAPACITOR; 70+7.5 MFD 440V
LUG00012	2	1	LUG, GROUND
CTR03143	3	1	CONTACTOR; (LUG STYLE)
PLU00984	5	1	PLUG; LOCKING HOLE

Part No.	Reference No.	Quantity	Description
0000031575~P	*		FAN PARTS LIST



Part No.	Reference No.	Quantity	Description
GRL02245	1	1	GRILLE; FAN (SR4) (BLACK)
SCR02086	2	4	SCREW; 10-32 TR-3 HXW 3/8 S
MOT17917	3	1	MOTOR; 1/5 HP, 200/230/60/1, 825 RPM, 48 FRAME, PSC, BALL BEARING, CCW
FAN05525	4	1	FAN; 2 SWEEP BLADES, 27.50 IN DIA, 27 DEG PITCH, 0.50 IN BORE, CCW, ALUMINUM, 1 SET SCREW-STEEL, SPIDER 0.050 THK
GRD01415	5	1	GUARD, TROUGH-LEAD

Part No.	Reference No.	Quantity	Description
0000004361~P	*		GENERAL ASSEMBLY GRAPHIC



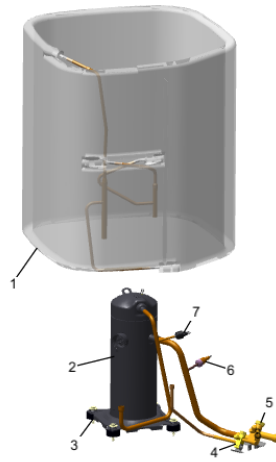
Part No.	Reference No.	Quantity	Description
000009816~P	*		MODEL NUMBER GRAPHIC

MODEL NUMBER DESCRIPTION	75013900	REV A
OUTDOOR UNITS		
<i>Example Model Number:</i> A 4 C A 4 0 3 6 A 1 0 0 0 A A 1 - - - 5 - - - 10 - - - 15		
<p>Digit 1 – Brand A = RunTru Brand</p> <p>Digit 2 – Refrigerant Type 4 = R410a</p> <p>Digit 3,4 – Product Family AC = Air Conditioner HP = Heat Pump</p> <p>Digit 5 – Nominal Efficiency Rating 3 = 13 SEER 4 = 14 SEER 6 = 16 SEER</p> <p>Digits 6,7,8 – Nominal Capacity BTU/Hour x 1000</p> <p>Digit 9 – Major Design Modifications</p> <p>Digit 10 – Electric Power Supply 1 = 200-230/1PH/60Hz or 208-230/1PH/60Hz</p> <p>Digit 11,12,13 – Secondary Function 000 = No Secondary Function</p> <p>Digit 14 – Minor Design Modifications</p> <p>Digit 15 – Unit Parts Identifier</p>		
1 of 1		

Part No.	Reference No.	Quantity	Description
000004143~P	*		OPTIONAL ACCESSORIES LIST

Part No.	Reference No.	Quantity	Description
AY28X079	*	1	KIT; LOW TEMP COOLING (AY28X079)
BAYCCHT301RES	*	1	KIT; CRANKCASE HEATER FOR SCROLLS, 60W, 230V (BAYCCHT301RES), 6.5-7.5 DIA, 74 IN LENGTH
BAYISLT101	*	1	KIT; ISOLATOR (BAYISLT101) (CONTAINS A QTY OF 5 ISOLATORS)
BAYKSKT267	*	1	KIT; COMPRESSOR START KIT
BAYLEGS004	*	1	KIT; SNOW LEGS, CONTAINS (4) 4" MOUNTING LEGS
BAYLEGS007	*	1	KIT; SNOW LEGS, CONTAINS (4) 7" MOUNTING LEGS
BAYLOAM108	*	1	LOW AMBIENT KIT
BAYSDEN004	*	1	KIT; SOUND ENCLOSURE, (BAYSDEN004), (MODELS WITH LARGE FRAME (QUEST) SCROLL COMPRESSORS NO LARGER THAN 17.3" TALL OR 7.3" IN DIAMETER
PNL37058	*	1	PANEL; WRAPPER, DURA WRAP, LOWER LTL BARRIER - 4 SR

Part No.	Reference No.	Quantity	Description
0000031589~P	*		REFRIGERATION



Part No.	Reference No.	Quantity	Description
CAP01336	*	1	CAP; SERVICE LIQUID VALVE, BRASS, 0.75 OD X 0.57 ID X 11/16-28UN-2B
SCR02010	*	4	SCREW; 12-18 AB HXW 1/2 SN
SCR02054	*	4	SCREW; 12-18 AB HXW 1/2 SN
SLV00082	*	0	SLEEVE;
SLV00083	*	0	SLEEVE;
TEE00095	*	1	TEE; COPPER
TER00312	*	0	TERMINAL; 8IN. TIE CABLE
TIE00007	*	0	TIE;CABLE
TIE00023	*	2	TIE;CABLE, 8.00IN.
TUB02810	*	16	TUBE; TRANSITION
TUB11547	*	16	TUBE; TRANSITION ASSEMBLY
COL31742		1	COIL; CONDENSER SPINE-FIN
CAP01431	4b	1	CAP; SERVICE VALVE
VAL19480	5a	1	VALVE; SUCTION (SMV-JA7YHTLA-L19)
CAP01411	5b	1	CAP; SERVICE VALVE, BRASS, 1.19 OD X 0.93 ID X 17/16-20UN-2B
SWT03273	7	1	SWITCH, HIGH PRESSURE, SPST, OPEN @ 650 PSIG, CLOSE @ 500 PSIG, 88" YELLOW LEAD