

Part No.	Reference No.	Quantity	Description
0000158633~S	*		CABINET
0000158634~S	*		CONTROLS
0000158635~S	*		FAN
0000158636~S	*		GENERAL ASSEMBLY
0000158609~S	*		MODEL NUMBER DESCRIPTION
0000158638~S	*		OPTIONAL ACCESORIES

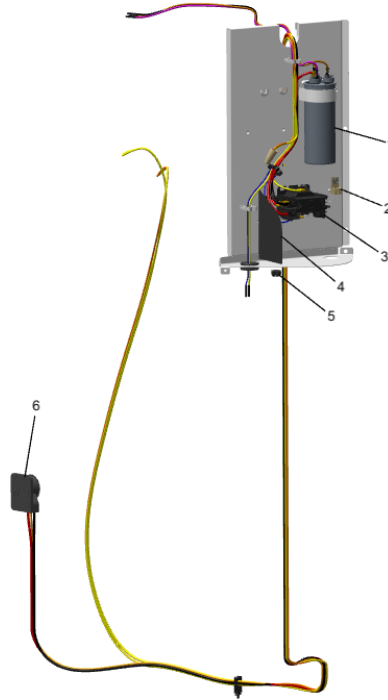
Part No.	Reference No.	Quantity	Description
0000031551~P	*		CABINET

Part No.	Reference No.	Quantity	Description
SCR02010	*	41	SCREW; 12-18 AB HXW 1/2 SN
SCR02054	*	41	SCREW; 12-18 AB HXW 1/2 SN
COV05851	1	1	COVER; TOP SR 3
PNL37024	2	3	PANEL; WRAPPER SR 3.2
PAN04335	3	1	PAN; BASE SR 3
PNL37032	4	1	PANEL; CONTROL SR 3.2
BRK05354	5	1	BRACKET; BOTTOM-CONTROLS SR
COV05853	6	1	COVER; CONTROLS SR

CONTROLS

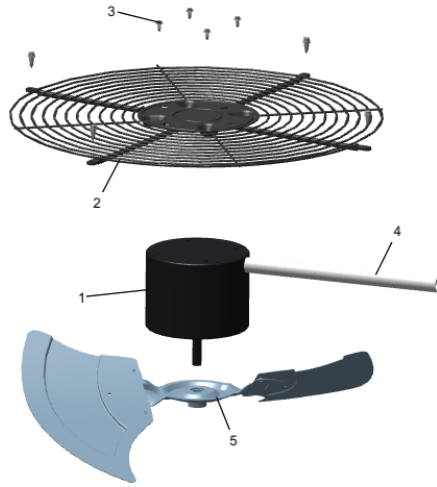
Parts List Number :0000158632
Model Number :A4AC6036B1000A

Part No.	Reference No.	Quantity	Description
0000031571~P	*		CONTROLS



Part No.	Reference No.	Quantity	Description
CON00241	*	1	CONNECTOR; WIRE
SCR01918	*	3	SCREW, 10-24 THREAD ROLL, INDENT HEX WASHER HD
CPT02380	1	1	CAPACITOR; DUAL, 45/5 MFD, 370V, ROUND, W/O RESISTOR
LUG00012	2	1	LUG, GROUND
CTR03142	3	1	CONTACTOR; (LUG STYLE)
PLU00984	5	1	PLUG; LOCKING HOLE
PLU01346	6	1	PLUG; SCROLL COMPRESSOR HARNESS 3T LG

Part No.	Reference No.	Quantity	Description
0000031576~P	*		FAN PARTS LIST



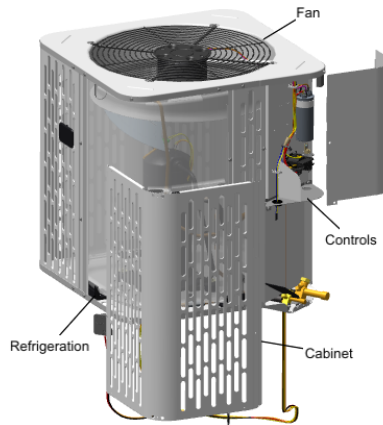
FAN PARTS LIST

Parts List Number :0000158632

Model Number :A4AC6036B1000A

Part No.	Reference No.	Quantity	Description
MOT16968	1	1	MOTOR; 1/8 HP
GRL02244	2	1	GRILLE; FAN (SR3) (BLACK)
SCR02086	3	4	SCREW; 10-32 TR-3 HXW 3/8 S
GRD01440	4	1	GUARD; TROUGH-LEAD
FAN06627	5	1	FAN; TR3R32-2

Part No.	Reference No.	Quantity	Description
0000004361~P	*		GENERAL ASSEMBLY GRAPHIC



Part No.	Reference No.	Quantity	Description
000009816~P	*		MODEL NUMBER GRAPHIC

MODEL NUMBER DESCRIPTION	75013900	REV A
OUTDOOR UNITS		
<i>Example Model Number:</i> A 4 C A 4 0 3 6 A 1 0 0 0 A A 1 - - - 5 - - - 10 - - - 15		
<p>Digit 1 – Brand A = RunTru Brand</p> <p>Digit 2 – Refrigerant Type 4 = R410a</p> <p>Digit 3,4 – Product Family AC = Air Conditioner HP = Heat Pump</p> <p>Digit 5 – Nominal Efficiency Rating 3 = 13 SEER 4 = 14 SEER 6 = 16 SEER</p> <p>Digits 6,7,8 – Nominal Capacity BTU/Hour x 1000</p> <p>Digit 9 – Major Design Modifications</p> <p>Digit 10 – Electric Power Supply 1 = 200-230/1PH/60Hz or 208-230/1PH/60Hz</p> <p>Digit 11,12,13 – Secondary Function 000 = No Secondary Function</p> <p>Digit 14 – Minor Design Modifications</p> <p>Digit 15 – Unit Parts Identifier</p>		
1 of 1		

Part No.	Reference No.	Quantity	Description
0000004135~P	*		OPTIONAL ACCESSORIES LIST

Part No.	Reference No.	Quantity	Description
AY28X079	*	1	KIT; LOW TEMP COOLING (AY28X079)
BAYCCHT302RES	*	1	KIT; CRANKCASE HEATER FOR SCROLLS, 40W, 230V (BAYCCHT302RES), 5.5 DIA, 74 IN LENGTH
BAYISLT101	*	1	KIT; ISOLATOR (BAYISLT101) (CONTAINS A QTY OF 5 ISOLATORS)
BAYLEGS004	*	1	KIT; SNOW LEGS, CONTAINS (4) 4" MOUNTING LEGS
BAYLEGS007	*	1	KIT; SNOW LEGS, CONTAINS (4) 7" MOUNTING LEGS
BAYLOAM108	*	1	LOW AMBIENT KIT
BAYSDEN003	*	1	KIT; SOUND ENCLOSURE, (BAYSDEN003), (MODELS WITH SMALL FRAME (QUANTUM) SCROLL COMPRESSORS NO LARGER THAN 16.4" TALL OR 6.6" IN DIAMETER EXCEPT IN CABI
PNL37057	*	1	PANEL; WRAPPER, DURA WRAP, LOWER LTL BARRIER - 3 SR