

<b>Part No.</b>	<b>Reference No.</b>	<b>Quantity</b>	<b>Description</b>
0000147490~S	*		CABINET
0000147489~S	*		CONTROLS
0000147488~S	*		FAN
0000147487~S	*		REFRIGERATION

Part No.	Reference No.	Quantity	Description
0000026028~P	*		CABINET PARTS LIST

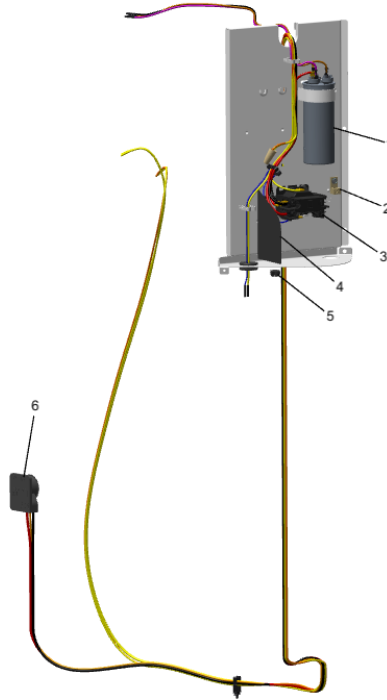
<b>Part No.</b>	<b>Reference No.</b>	<b>Quantity</b>	<b>Description</b>
SCR02010	*	45	SCREW; 12-18 AB HXW 1/2 SN
SCR02054	*	45	SCREW; 12-18 AB HXW 1/2 SN
COV05852	1	1	COVER; TOP SR 4
PNL37030	2	3	PANEL; WRAPPER SR 4.6
PAN04325	3	1	PAN; BASE
PNL37038	4	1	PANEL; CONTROL SR 4.6
COV05853	6	1	COVER; CONTROLS SR

CONTROLS

Parts List Number :0000147280

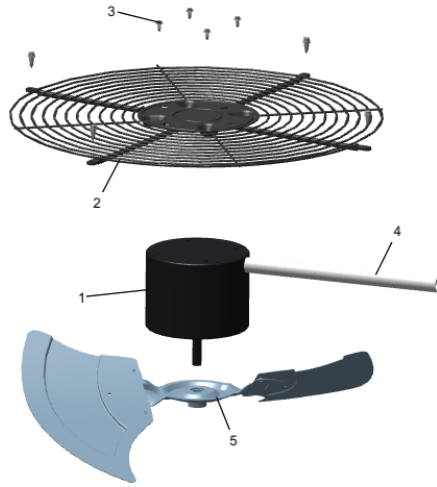
Model Number :A4AC5060D1000AA

Part No.	Reference No.	Quantity	Description
0000031567~P	*		CONTROLS



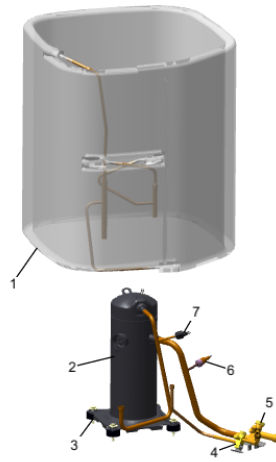
<b>Part No.</b>	<b>Reference No.</b>	<b>Quantity</b>	<b>Description</b>
CON00241	*	1	CONNECTOR; WIRE
SCR01918	*	3	SCREW, 10-24 THREAD ROLL, INDENT HEX WASHER HD
CPT02655	1	1	CAPACITOR; 70+7.5 MFD 440V
LUG00012	2	1	LUG, GROUND
CTR03143	3	1	CONTACTOR; (LUG STYLE)
PLU00984	5	1	PLUG; LOCKING HOLE

Part No.	Reference No.	Quantity	Description
0000032588~P	*		FAN PARTS LIST



Part No.	Reference No.	Quantity	Description
MOT17917	1	1	MOTOR; 1/5 HP, 200/230/60/1, 825 RPM, 48 FRAME, PSC, BALL BEARING, CCW
GRL01348	2	1	GRILLE; FAN, 29 IN DIA, SPIRAL WIRE, BASALT GREY
SCR02086	3	4	SCREW; 10-32 TR-3 HXW 3/8 S
GRD01415	4	1	GUARD, TROUGH-LEAD
FAN05525	5	1	FAN; 2 SWEEP BLADES, 27.50 IN DIA, 27 DEG PITCH, 0.50 IN BORE, CCW, ALUMINUM, 1 SET SCREW-STEEL, SPIDER 0.050 THK

Part No.	Reference No.	Quantity	Description
0000033350~P	*		REFRIGERATION PARTS LIST



Part No.	Reference No.	Quantity	Description
CAP00156	*	0	CAP, TUBE PLUG, .447-.513 OD
SLV00082	*	0	SLEEVE;
SLV00083	*	0	SLEEVE;
TEE00095	*	1	TEE; COPPER
TER00312	*	0	TERMINAL; 8IN. TIE CABLE
TIE00023	*	2	TIE;CABLE, 8.00IN.
TUB02810	*	16	TUBE; TRANSITION
TUB11547	*	16	TUBE; TRANSITION ASSEMBLY
VAL19480		1	VALVE; SUCTION (SMV-JA7YHTLA-L19)
COL31742	1	1	COIL; CONDENSER SPINE-FIN
COM11526	2	1	COMPRESSOR; SCROLL, ALLIANCE, SBA029C1CPZ, 2.5 TON, 29,000 BTUH, 208/230-60-1, R410-A, BRAZED, SUCTION 3/4, DISCHARGE 1/2, RLA 15.7
SCR02010	3	4	SCREW; 12-18 AB HXW 1/2 SN
CAP01336	4	1	CAP; SERVICE LIQUID VALVE, BRASS, 0.75 OD X 0.57 ID X 11/16-28UN-2B
VAL20538	5	1	VALVE-SER LIQ O(06-06)
CAP01411	5a	1	CAP; SERVICE VALVE, BRASS, 1.19 OD X 0.93 ID X 17/16-20UN-2B
SWT04656	6	1	SWITCH; LOW PRESSURE BZ
SWT03273	7	1	SWITCH, HIGH PRESSURE, SPST, OPEN @ 650 PSIG, CLOSE @ 500 PSIG, 88" YELLOW LEAD