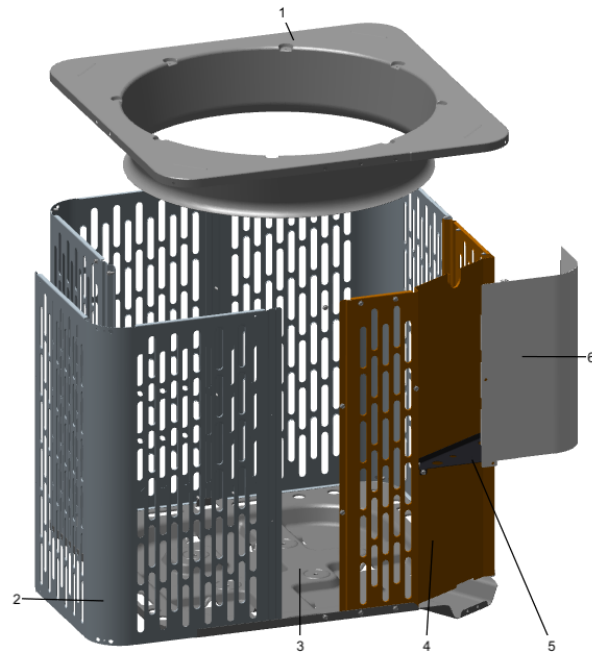


Part No.	Reference No.	Quantity	Description
0000147490~S	*		CABINET
0000186505~S	*		COMPRESSOR MOUNTING
0000185553~S	*		COMPRESSOR
0000147489~S	*		CONTROLS
0000147488~S	*		FAN
0000147487~S	*		REFRIGERATION

Part No.	Reference No.	Quantity	Description
0000031549~P	*		CABINET



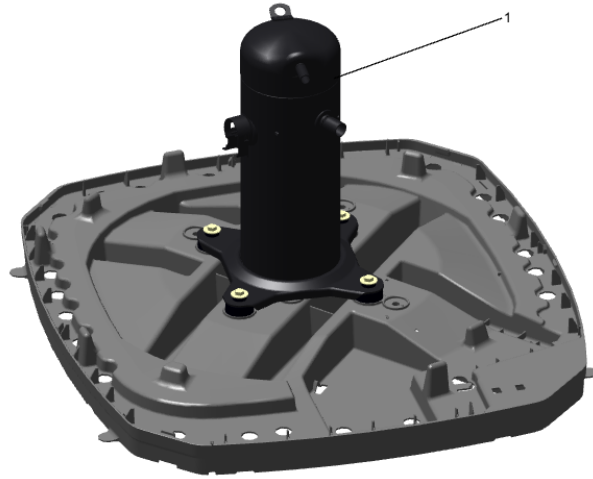
Part No.	Reference No.	Quantity	Description
SCR02010	*	41	SCREW; 12-18 AB HXW 1/2 SN
SCR02054	*	41	SCREW; 12-18 AB HXW 1/2 SN
COV05852	1	1	COVER; TOP SR 4
PNL37029	2	3	PANEL; WRAPPER SR 4.4
PAN04325	3	1	PAN; BASE
PNL37037	4	1	PANEL; CONTROL SR 4.4
BRK05354	5	1	BRACKET; BOTTOM-CONTROLS SR
COV05853	6	1	COVER; CONTROLS SR

COMPRESSOR

Parts List Number :0000147280

Model Number :A4AC5042D1000AA

Part No.	Reference No.	Quantity	Description
0000041487~P	*		COMPRESSOR MTG
0000053907~P	*		COMPRESSOR
0000030267~P	*		REFRIGERANT SYSTEM



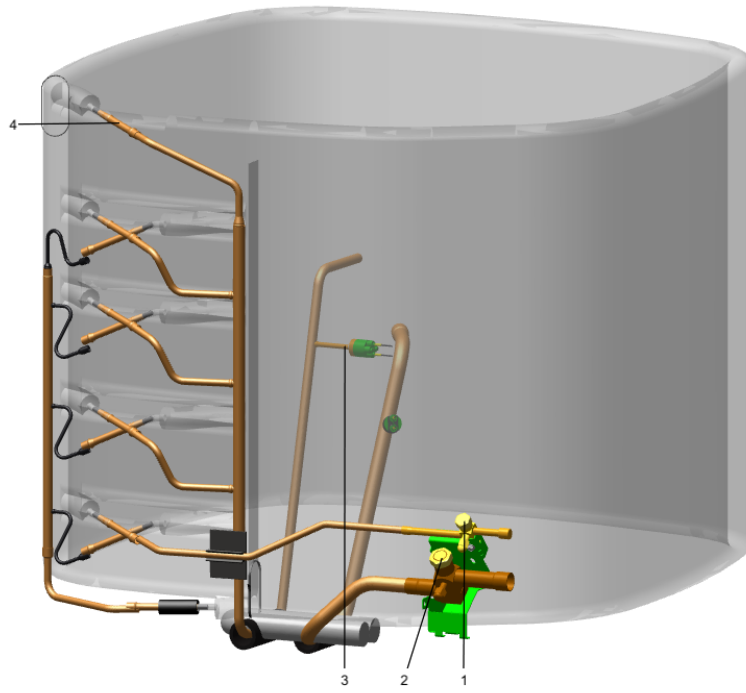
COMPRESSOR

Parts List Number :0000147280

Model Number :A4AC5042D1000AA

Part No.	Reference No.	Quantity	Description
COM13702	1	1	COMPRESSOR; LCA034C1CPA SCROLL-13702

Part No.	Reference No.	Quantity	Description
ISR00362	1	4	ISOLATOR; VIBRATION
SCR01914	2	4	SCREW, ASSEMBLY COMPRESSOR, 5/16-12 TYPE B, W/WASHER & SLEEVE

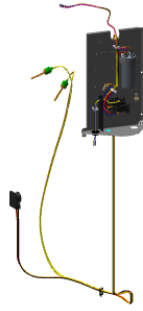


Part No.	Reference No.	Quantity	Description
CAP00156	*	0	CAP, TUBE PLUG, .447-.513 OD
COL29772	*	0	COIL; CONDENSER SPINE-FIN
SCR02010	*	4	SCREW; 12-18 AB HXW 1/2 SN
SCR02054	*	4	SCREW; 12-18 AB HXW 1/2 SN
VAL19479	*	1	VALVE; SUCTION (SMV-JA6YHTLA-L16)
CAP01336	1	1	CAP; SERVICE LIQUID VALVE, BRASS, 0.75 OD X 0.57 ID X 11/16-28UN-2B
CAP01315	2	1	CAP; SERVICE LIQUID VALVE, BRASS, 1.06 OD X 0.81 ID X 15/16-20UNEF-2B
SWT03273	3	1	SWITCH, HIGH PRESSURE, SPST, OPEN @ 650 PSIG, CLOSE @ 500 PSIG, 88" YELLOW LEAD
TUB11547	4	10	TUBE; TRANSITION ASSEMBLY

Part No.	Reference No.	Quantity	Description
0000041487~P	*		COMPRESSOR MTG

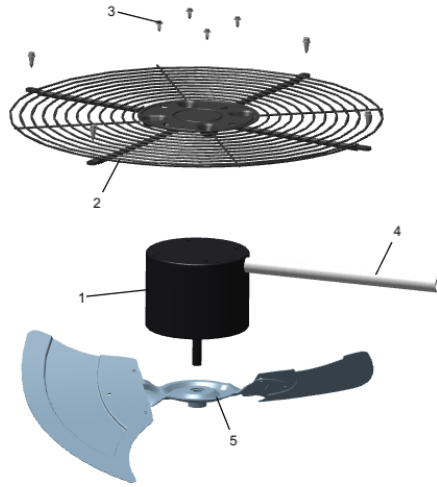
Part No.	Reference No.	Quantity	Description
ISR00362	1	4	ISOLATOR; VIBRATION
SCR01914	2	4	SCREW, ASSEMBLY COMPRESSOR, 5/16-12 TYPE B, W/WASHER & SLEEVE

Part No.	Reference No.	Quantity	Description
0000033511~P	*		CONTROLS PARTS LIST



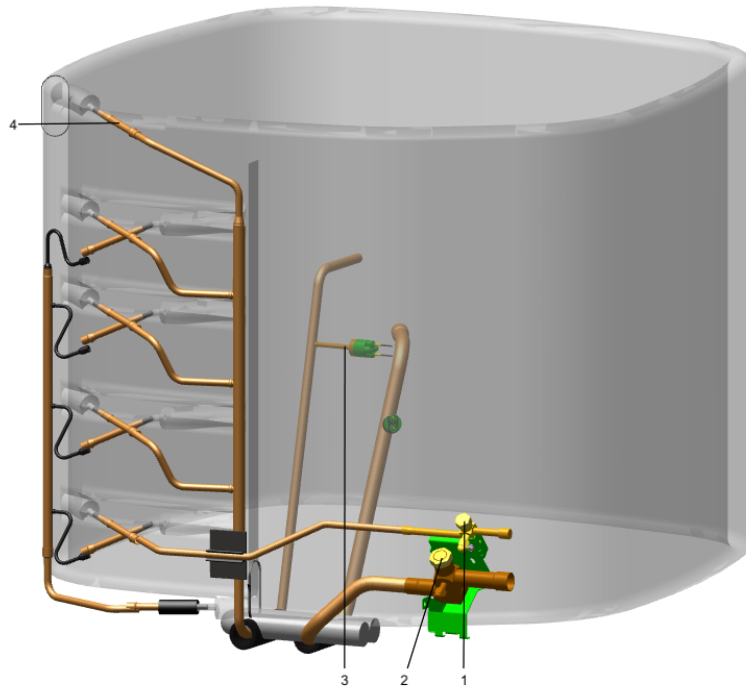
Part No.	Reference No.	Quantity	Description
CTR03143	1	1	CONTACTOR; (LUG STYLE)
PLU00984	2	1	PLUG; LOCKING HOLE
LUG00012	3	1	LUG, GROUND
CPT00669	4	1	CAPACITOR; DUAL, 45/7.5 MFD, 440V, ROUND, W/O RESISTOR
CON00241	5	1	CONNECTOR; WIRE
SCR01918	6	3	SCREW, 10-24 THREAD ROLL, INDENT HEX WASHER HD

Part No.	Reference No.	Quantity	Description
0000033403~P	*		FAN PARTS LIST



Part No.	Reference No.	Quantity	Description
MOT17346	1	1	MOTOR; 1/5 HP - 48 FRAME
GRL01348	2	1	GRILLE; FAN, 29 IN DIA, SPIRAL WIRE, BASALT GREY
SCR02086	3	4	SCREW; 10-32 TR-3 HXW 3/8 S
GRD01415	4	1	GUARD, TROUGH-LEAD
FAN04460	5	1	FAN; 2 SWEEP BLADES, 27.5" DIA, 25.2 DEG PITCH, 0.50" BORE, CCW, ALUMINUM, 1 SET SCREW-STEEL, SPIDER 0.075 THK

Part No.	Reference No.	Quantity	Description
0000030267~P	*		REFRIGERANT SYSTEM



Part No.	Reference No.	Quantity	Description
CAP00156	*	0	CAP, TUBE PLUG, .447-.513 OD
COL29772	*	0	COIL; CONDENSER SPINE-FIN
SCR02010	*	4	SCREW; 12-18 AB HXW 1/2 SN
SCR02054	*	4	SCREW; 12-18 AB HXW 1/2 SN
VAL19479	*	1	VALVE; SUCTION (SMV-JA6YHTLA-L16)
CAP01336	1	1	CAP; SERVICE LIQUID VALVE, BRASS, 0.75 OD X 0.57 ID X 11/16-28UN-2B
CAP01315	2	1	CAP; SERVICE LIQUID VALVE, BRASS, 1.06 OD X 0.81 ID X 15/16-20UNEF-2B
SWT03273	3	1	SWITCH, HIGH PRESSURE, SPST, OPEN @ 650 PSIG, CLOSE @ 500 PSIG, 88" YELLOW LEAD
TUB11547	4	10	TUBE; TRANSITION ASSEMBLY