

<b>Part No.</b>	<b>Reference No.</b>	<b>Quantity</b>	<b>Description</b>
0000147490~S	*		CABINET
0000186505~S	*		COMPRESSOR MOUNTING
0000185553~S	*		COMPRESSOR
0000147489~S	*		CONTROLS
0000147488~S	*		FAN
0000147486~S	*		GENERAL ASSEMBLY
0000147492~S	*		MODEL NUMBER DESCRIPTION
0000147487~S	*		REFRIGERATION

Part No.	Reference No.	Quantity	Description
0000030392~P	*		CABINETRY PARTS LIST

<b>Part No.</b>	<b>Reference No.</b>	<b>Quantity</b>	<b>Description</b>
SCR02010		41	SCREW; 12-18 AB HXW 1/2 SN
SCR02054		41	SCREW; 12-18 AB HXW 1/2 SN
COV05851	1	1	COVER; TOP SR 3
PNL37026	2	3	PANEL; WRAPPER SR 3.4
PAN04335	3	1	PAN; BASE SR 3
PNL37034	4	1	PANEL; CONTROL SR 3.4
BRK05354	5	1	BRACKET; BOTTOM-CONTROLS SR
COV05853	6	1	COVER; CONTROLS SR

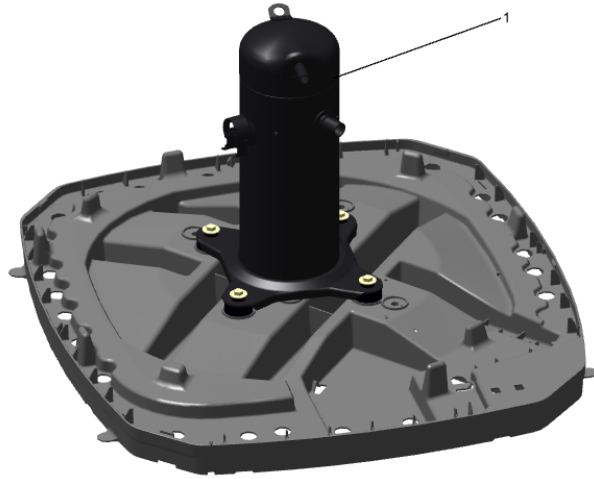
COMPRESSOR

Parts List Number :0000147280

Model Number :A4AC5030D1000AA

<b>Part No.</b>	<b>Reference No.</b>	<b>Quantity</b>	<b>Description</b>
0000041487~P	*		COMPRESSOR MTG
0000038729~P	*		SCROLL COMPRESSOR

<b>Part No.</b>	<b>Reference No.</b>	<b>Quantity</b>	<b>Description</b>
ISR00362	1	4	ISOLATOR; VIBRATION
SCR01914	2	4	SCREW, ASSEMBLY COMPRESSOR, 5/16-12 TYPE B, W/WASHER & SLEEVE

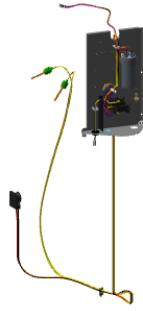


Part No.	Reference No.	Quantity	Description
COM11525	1	1	COMPRESSOR; SCROLL, ALLIANCE, SBA024C1CPZ, 2.0 TON, 24,000 BTUH, 208/230-60-1, R410-A, BRAZED, SUCTION 3/4, DISCHARGE 1/2, RLA 14.3

Part No.	Reference No.	Quantity	Description
0000041487~P	*		COMPRESSOR MTG

<b>Part No.</b>	<b>Reference No.</b>	<b>Quantity</b>	<b>Description</b>
ISR00362	1	4	ISOLATOR; VIBRATION
SCR01914	2	4	SCREW, ASSEMBLY COMPRESSOR, 5/16-12 TYPE B, W/WASHER & SLEEVE

Part No.	Reference No.	Quantity	Description
0000030353~P	*		CONTROLS-COOLING

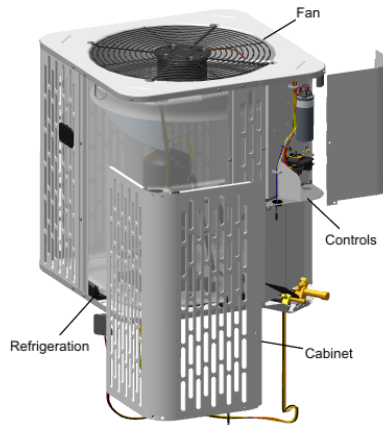


<b>Part No.</b>	<b>Reference No.</b>	<b>Quantity</b>	<b>Description</b>
CON00241	*	1	CONNECTOR; WIRE
PLU01344	*	1	PLUG; SCROLL COMPRESSOR HARNESS <3T
SCR01918	*	3	SCREW, 10-24 THREAD ROLL, INDENT HEX WASHER HD
CPT01844	1	1	CAPACITOR, RUN, 40/5 MFD, 370V, ROUND, W/O RESISTOR
LUG00012	2	1	LUG, GROUND
CTR03143	3	1	CONTACTOR; (LUG STYLE)
PLU00984	4	1	PLUG; LOCKING HOLE

Part No.	Reference No.	Quantity	Description
0000033405~P	*		FAN PARTS LIST

<b>Part No.</b>	<b>Reference No.</b>	<b>Quantity</b>	<b>Description</b>
MOT16968	1	1	MOTOR; 1/8 HP
GRL01347	2	1	GRILLE; FAN, 25.51 MOUNTING DIA
SCR02086	3	4	SCREW; 10-32 TR-3 HXW 3/8 S
GRD01440	4	1	GUARD; TROUGH-LEAD
FAN06683	5	1	FAN; TR3R28-2

Part No.	Reference No.	Quantity	Description
0000026020~P	*		GENERAL ASSEMBLY GRAPHIC



Part No.	Reference No.	Quantity	Description
0000026111~P	*		MODEL NUMBER DESCRIPTION

MODEL NUMBER DESCRIPTION

75005587

REL  
C

OUTDOOR UNITS

*Example Model Number:*

**4 A 7 A 0 0 3 6 A 1 0 0 0 A A**  
1 - - - 5 - - - 10 - - - 15

**Digit 1 – Refrigerant Type**

2 = R-22  
4 = R-410A

**Digit 2 – American Standard**

**Digit 3 – Product Type**

6,W = Split Heat Pump  
7,T = Split Cooling

**Digit 4 – Product Family**

V = Variable Speed  
Z = Leadership - Two Stage  
X = Leadership  
R = Replacement/Retail  
M or B = Basic  
A = Light Commercial  
L = Side Discharge

**Digit 5 – Family SEER**

3 = 13      7 = 17  
4 = 14      8 = 18  
5 = 15      9 = 19  
6 = 16      0 = 20

**Digits 6 – Split System Connections 1-6 Tons**

0 = Brazed

**Digits 7,8 – Nominal Capacity in 000s BTUs**

**Digit 9 – Major Design Modifications**

**Digit 10 – Power Supply**

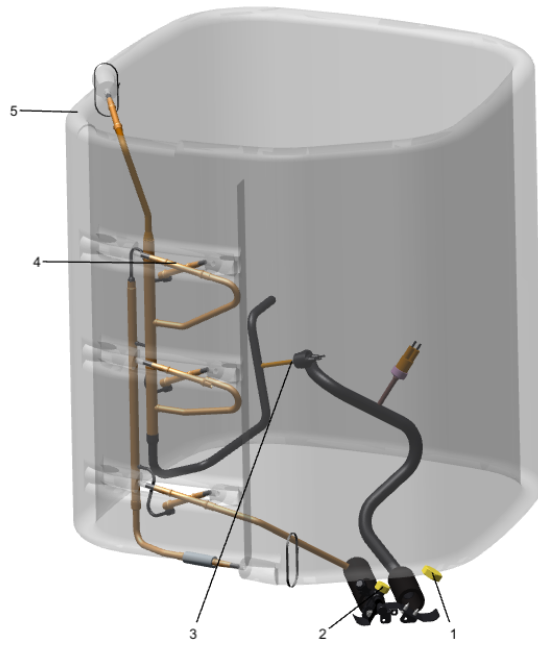
1 = 200-230/1/60 or 208-230/1/60  
3 = 200-230/3/60  
4 = 460/3/60

**Digit 11,12,13 – Secondary Function**

**Digit 14 – Minor Design Modifications**

**Digit 15 – Unit Parts Identifier**

Part No.	Reference No.	Quantity	Description
0000030274~P	*		REFRIGERANT SYSTEM



Part No.	Reference No.	Quantity	Description
CAP00156	*	0	CAP, TUBE PLUG, .447-.513 OD
COL29771	*	0	COIL; CONDENSER SPINE-FIN
SCR02010	*	4	SCREW; 12-18 AB HXW 1/2 SN
SCR02054	*	4	SCREW; 12-18 AB HXW 1/2 SN
TUB02810	*	10	TUBE; TRANSITION
VAL19479	*	1	VALVE; SUCTION (SMV-JA6YHTLA-L16)
CAP01336	1	1	CAP; SERVICE LIQUID VALVE, BRASS, 0.75 OD X 0.57 ID X 11/16-28UN-2B
CAP01315	2	1	CAP; SERVICE LIQUID VALVE, BRASS, 1.06 OD X 0.81 ID X 15/16-20UNEF-2B
SWT03273	3	1	SWITCH, HIGH PRESSURE, SPST, OPEN @ 650 PSIG, CLOSE @ 500 PSIG, 88" YELLOW LEAD
TUB11547	4	10	TUBE; TRANSITION ASSEMBLY