

Part No.	Reference No.	Quantity	Description
0000087696~S	*		CABINET
0000167048~S	*		COMPRESSOR
0000087698~S	*		CONTROLS
0000087695~S	*		FAN
0000101888~S	*		MODEL NUMBER DESCRIPTION
0000087699~S	*		REFRIGERATION

Part No.	Reference No.	Quantity	Description
0000032587~P	*		CABINERY PARTS LIST



Part No.	Reference No.	Quantity	Description
PAN04325	*	1	PAN; BASE
SCR02010	*	45	SCREW; 12-18 AB HXW 1/2 SN
SCR02054	*	45	SCREW; 12-18 AB HXW 1/2 SN
COV05852	1	1	COVER; TOP SR 4
COV05853	3	1	COVER; CONTROLS SR
BRK05354	4	1	BRACKET; BOTTOM-CONTROLS SR
PNL37038	5	1	PANEL; CONTROL SR 4.6
PNL37030	6	3	PANEL; WRAPPER SR 4.6

COMPRESSOR

Parts List Number :0000087040

Model Number :A4AC4060D1000BA

Part No.	Reference No.	Quantity	Description
0000035609~P	*		COM13950

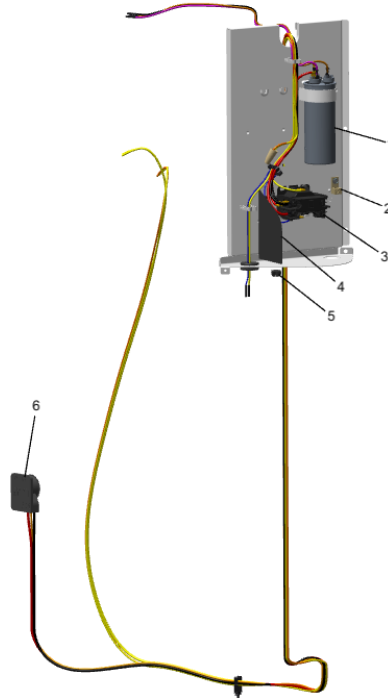
Part No.	Reference No.	Quantity	Description
COM13950		1	COMPRESSOR; SCROLL, SCA049B1CPA

CONTROLS

Parts List Number :0000087040

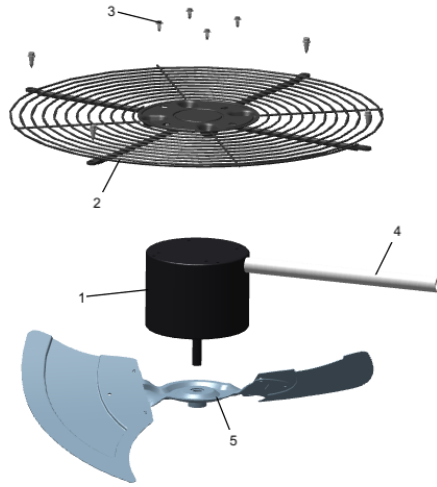
Model Number :A4AC4060D1000BA

Part No.	Reference No.	Quantity	Description
0000035608~P	*		CONTROLS



Part No.	Reference No.	Quantity	Description
CON00241	*	1	CONNECTOR; WIRE
PLU01345	*	1	PLUG; SCROLL COMPRESSOR HARNESS >3T
SCR01918	*	3	SCREW, 10-24 THREAD ROLL, INDENT HEX WASHER HD
CPT02657	1	1	CAPACITOR; 70+7.5 MFD 370V
LUG00012	2	1	LUG, GROUND
CTR03143	3	1	CONTACTOR; (LUG STYLE)
PLU00984	5	1	PLUG; LOCKING HOLE

Part No.	Reference No.	Quantity	Description
0000032588~P	*		FAN PARTS LIST

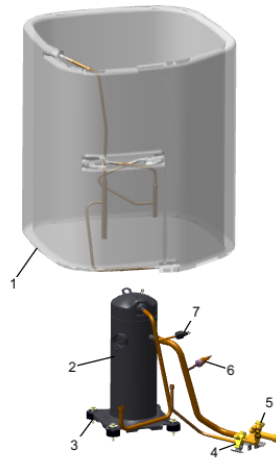


Part No.	Reference No.	Quantity	Description
MOT17917	1	1	MOTOR; 1/5 HP, 200/230/60/1, 825 RPM, 48 FRAME, PSC, BALL BEARING, CCW
GRL01348	2	1	GRILLE; FAN, 29 IN DIA, SPIRAL WIRE, BASALT GREY
SCR02086	3	4	SCREW; 10-32 TR-3 HXW 3/8 S
GRD01415	4	1	GUARD, TROUGH-LEAD
FAN05525	5	1	FAN; 2 SWEEP BLADES, 27.50 IN DIA, 27 DEG PITCH, 0.50 IN BORE, CCW, ALUMINUM, 1 SET SCREW-STEEL, SPIDER 0.050 THK

Part No.	Reference No.	Quantity	Description
000009816~P	*		MODEL NUMBER GRAPHIC

MODEL NUMBER DESCRIPTION	75013900	REV A
OUTDOOR UNITS		
<i>Example Model Number:</i> A 4 C A 4 0 3 6 A 1 0 0 0 A A 1 - - - 5 - - - 10 - - - 15		
Digit 1 – Brand A = RunTru Brand		
Digit 2 – Refrigerant Type 4 = R410a		
Digit 3,4 – Product Family AC = Air Conditioner HP = Heat Pump		
Digit 5 – Nominal Efficiency Rating 3 = 13 SEER 4 = 14 SEER 6 = 16 SEER		
Digits 6,7,8 – Nominal Capacity BTU/Hour x 1000		
Digit 9 – Major Design Modifications		
Digit 10 – Electric Power Supply 1 = 200-230/1PH/60Hz or 208-230/1PH/60Hz		
Digit 11,12,13 – Secondary Function 000 = No Secondary Function		
Digit 14 – Minor Design Modifications		
Digit 15 – Unit Parts Identifier		

Part No.	Reference No.	Quantity	Description
0000031589~P	*		REFRIGERATION



Part No.	Reference No.	Quantity	Description
CAP01336	*	1	CAP; SERVICE LIQUID VALVE, BRASS, 0.75 OD X 0.57 ID X 11/16-28UN-2B
SCR02010	*	4	SCREW; 12-18 AB HXW 1/2 SN
SCR02054	*	4	SCREW; 12-18 AB HXW 1/2 SN
SLV00082	*	0	SLEEVE;
SLV00083	*	0	SLEEVE;
TEE00095	*	1	TEE; COPPER
TER00312	*	0	TERMINAL; 8IN. TIE CABLE
TIE00007	*	0	TIE;CABLE
TIE00023	*	2	TIE;CABLE, 8.00IN.
TUB02810	*	16	TUBE; TRANSITION
TUB11547	*	16	TUBE; TRANSITION ASSEMBLY
COL31742		1	COIL; CONDENSER SPINE-FIN
CAP01431	4b	1	CAP; SERVICE VALVE
VAL19480	5a	1	VALVE; SUCTION (SMV-JA7YHTLA-L19)
CAP01411	5b	1	CAP; SERVICE VALVE, BRASS, 1.19 OD X 0.93 ID X 17/16-20UN-2B
SWT03273	7	1	SWITCH, HIGH PRESSURE, SPST, OPEN @ 650 PSIG, CLOSE @ 500 PSIG, 88" YELLOW LEAD