

<b>Part No.</b>	<b>Reference No.</b>	<b>Quantity</b>	<b>Description</b>
0000156173~S	*		CABINET
0000168308~S	*		COMPRESSOR
0000156172~S	*		CONTROLS
0000156171~S	*		FAN
0000156169~S	*		GENERAL ASSEMBLY
0000156174~S	*		MODEL NUMBER DESCRIPTION
0000156170~S	*		REFRIGERATION

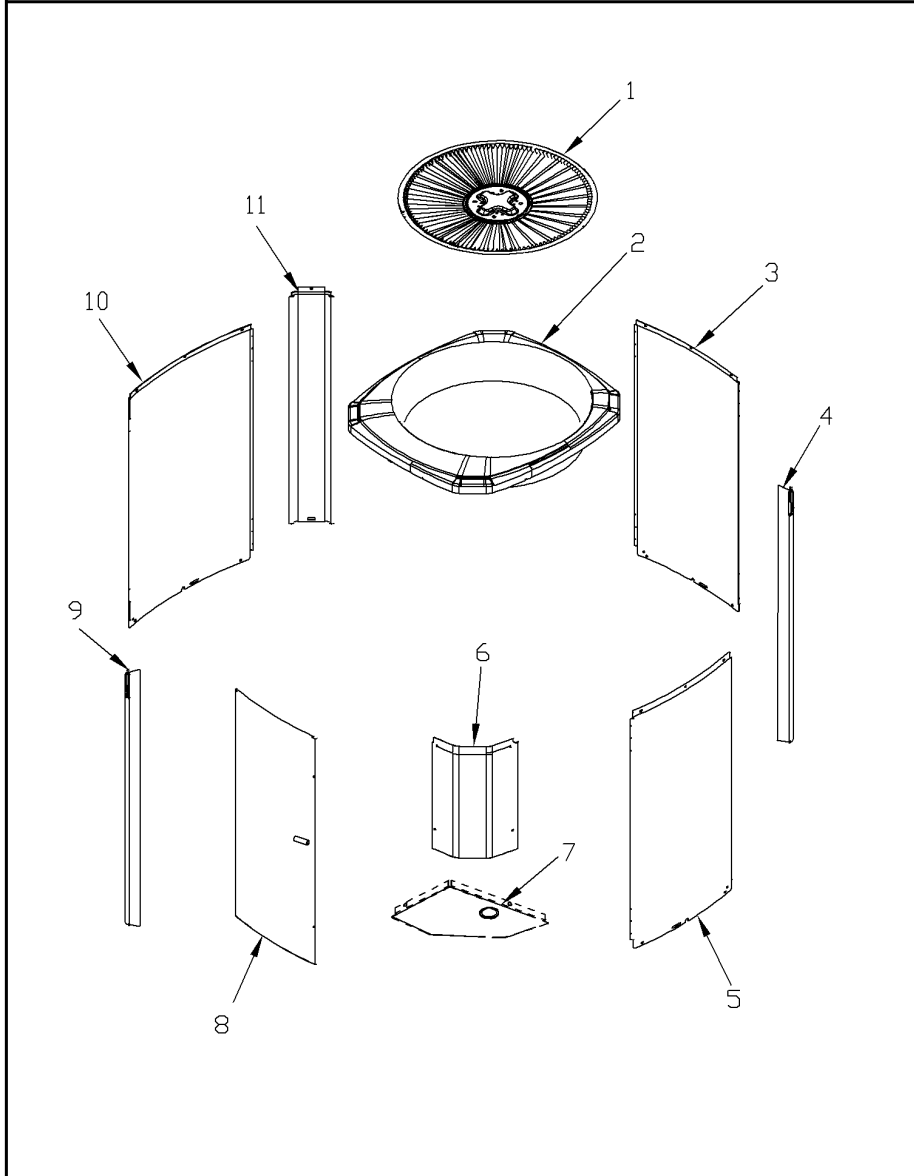
Part No.	Reference No.	Quantity	Description
0000030395~P	*		CABINETRY PARTS LIST

CABINETY

75006805

REV  
A

Typical Illustration. Unit may not appear exactly as shown.



<b>Part No.</b>	<b>Reference No.</b>	<b>Quantity</b>	<b>Description</b>
BRK05354		1	BRACKET; BOTTOM-CONTROLS SR
PAN04325		1	PAN; BASE
SCR02010		45	SCREW; 12-18 AB HXW 1/2 SN
SCR02054		45	SCREW; 12-18 AB HXW 1/2 SN
COV05852	2	1	COVER; TOP SR 4
PNL37030	3	3	PANEL; WRAPPER SR 4.6
COV05853	6	1	COVER; CONTROLS SR
PNL37038	7	1	PANEL; CONTROL SR 4.6

Part No.	Reference No.	Quantity	Description
0000037396~P	*		COMPRESSOR PARTS LIST

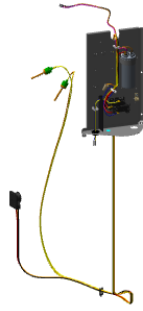
Part No.	Reference No.	Quantity	Description
COM11528		1	COMPRESSOR; SCROLL, ALLIANCE, SBA040B1CPZ, 3.5 TON, 40,000 BTUH, 208/230-60-1, R410-A, BRAZED, SUCTION 7/8, DISCHARGE 1/2, RLA 20.6

CONTROLS

Parts List Number :0000156154

Model Number :A4AC4048D1000AA

Part No.	Reference No.	Quantity	Description
0000030362~P	*		CONTROLS-COOLING



<b>Part No.</b>	<b>Reference No.</b>	<b>Quantity</b>	<b>Description</b>
PLU01345	*	1	PLUG; SCROLL COMPRESSOR HARNESS >3T
SCR01918	*	3	SCREW, 10-24 THREAD ROLL, INDENT HEX WASHER HD
CON00241		1	CONNECTOR; WIRE
CPT01842	1	1	CAPACITOR, RUN, 45/7.5 MFD, 370V, ROUND, W/O RESISTOR
PLU00984	2	1	PLUG; LOCKING HOLE
CTR03143	3	1	CONTACTOR; (LUG STYLE)
LUG00012	4	1	LUG, GROUND

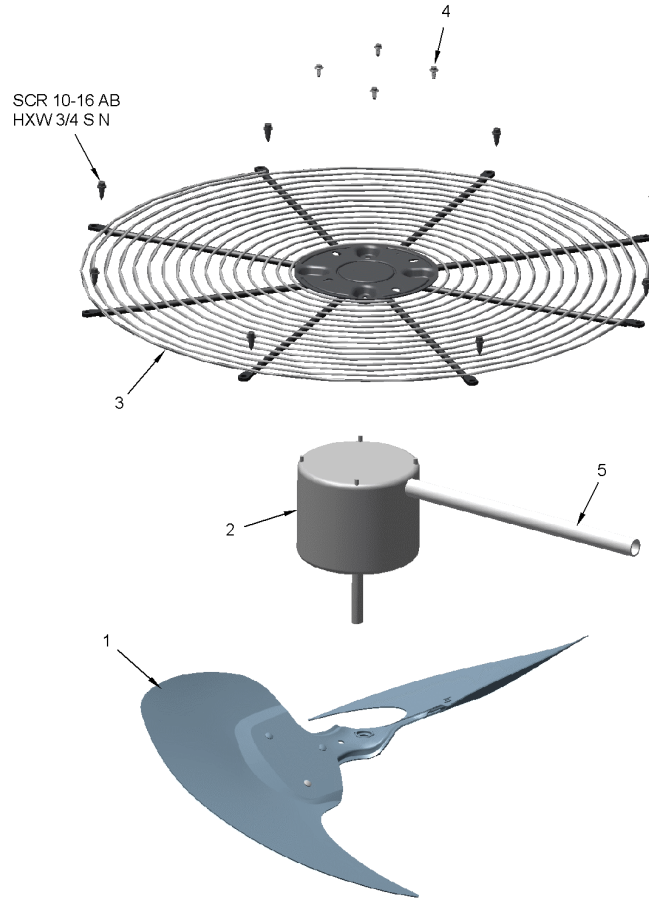
Part No.	Reference No.	Quantity	Description
0000030328~P	*		AIR SYSTEM

FAN

75010673

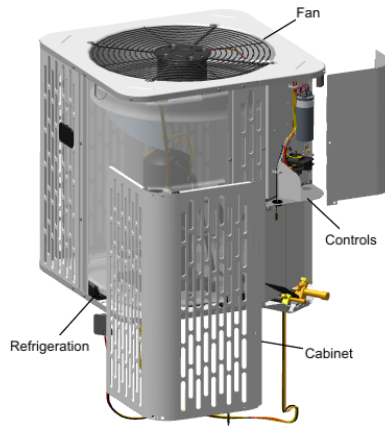
REV  
A

TYPICAL ILLUSTRATION



<b>Part No.</b>	<b>Reference No.</b>	<b>Quantity</b>	<b>Description</b>
BLD01362	1	1	BLADE; FAN BASE 4 SWEPT
MOT19274	2	1	MOTOR; FAN 1/5TH HP 8-POLE
GRL02245	3	1	GRILLE; FAN (SR4) (BLACK)
SCR02086	4	4	SCREW; 10-32 TR-3 HXW 3/8 S
GRD01415	5	1	GUARD, TROUGH-LEAD

Part No.	Reference No.	Quantity	Description
0000004361~P	*		GENERAL ASSEMBLY GRAPHIC



Part No.	Reference No.	Quantity	Description
000009816~P	*		MODEL NUMBER GRAPHIC

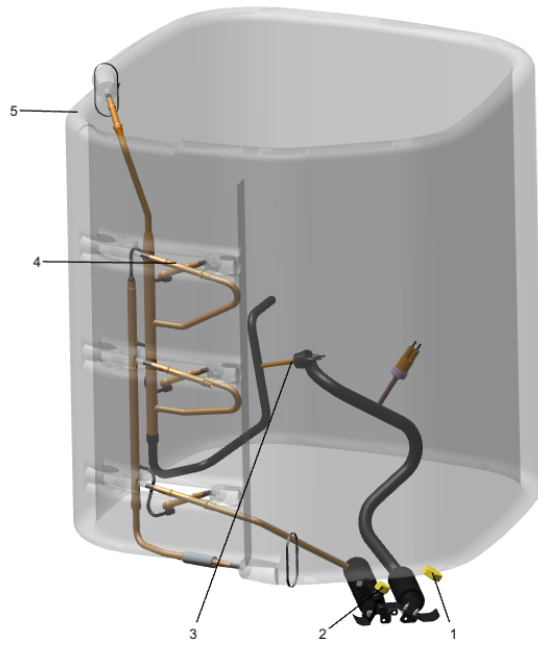
MODEL NUMBER DESCRIPTION	75013900	REV A
<b>OUTDOOR UNITS</b>		
<i>Example Model Number:</i> <b>A 4 C A 4 0 3 6 A 1 0 0 0 A A</b> 1 - - - 5 - - - 10 - - - 15		
<p><b>Digit 1 – Brand</b> A = RunTru Brand</p> <p><b>Digit 2 – Refrigerant Type</b> 4 = R410a</p> <p><b>Digit 3,4 – Product Family</b> AC = Air Conditioner HP = Heat Pump</p> <p><b>Digit 5 – Nominal Efficiency Rating</b> 3 = 13 SEER 4 = 14 SEER 6 = 16 SEER</p> <p><b>Digits 6,7,8 – Nominal Capacity</b> BTU/Hour x 1000</p> <p><b>Digit 9 – Major Design Modifications</b></p> <p><b>Digit 10 – Electric Power Supply</b> 1 = 200-230/1PH/60Hz or 208-230/1PH/60Hz</p> <p><b>Digit 11,12,13 – Secondary Function</b> 000 = No Secondary Function</p> <p><b>Digit 14 – Minor Design Modifications</b></p> <p><b>Digit 15 – Unit Parts Identifier</b></p>		
1 of 1		

REFRIGERATION

Parts List Number :0000156154

Model Number :A4AC4048D1000AA

Part No.	Reference No.	Quantity	Description
0000030277~P	*		REFRIGERANT SYSTEM



Part No.	Reference No.	Quantity	Description
CAP00156	*	0	CAP, TUBE PLUG, .447-.513 OD
CAP01431	*	1	CAP; SERVICE VALVE
COL29773	*	0	COIL; CONDENSER SPINE-FIN
COM13701	*	1	COMPRESSOR; LCA029C1CPA SCROLL-13701
SCR02010	*	4	SCREW; 12-18 AB HXW 1/2 SN
SCR02054	*	4	SCREW; 12-18 AB HXW 1/2 SN
TUB02810	*	10	TUBE; TRANSITION
VAL19480	*	1	VALVE; SUCTION (SMV-JA7YHTLA-L19)
CAP01411	1	1	CAP; SERVICE VALVE, BRASS, 1.19 OD X 0.93 ID X 17/16-20UN-2B
CAP01336	2	1	CAP; SERVICE LIQUID VALVE, BRASS, 0.75 OD X 0.57 ID X 11/16-28UN-2B
SWT03273	3	1	SWITCH, HIGH PRESSURE, SPST, OPEN @ 650 PSIG, CLOSE @ 500 PSIG, 88" YELLOW LEAD
TUB11547	4	10	TUBE; TRANSITION ASSEMBLY