

Part No.	Reference No.	Quantity	Description
0000147490~S	*		CABINET
0000147489~S	*		CONTROLS
0000147488~S	*		FAN
0000147486~S	*		GENERAL ASSEMBLY
0000147492~S	*		MODEL NUMBER DESCRIPTION
0000147491~S	*		OPTIONAL FIELD INSTALLED ACCESSORIES
0000147487~S	*		REFRIGERATION

Part No.	Reference No.	Quantity	Description
0000026031~P	*		CABINET PARTS LIST

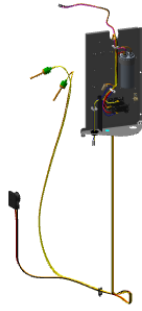
CABINET PARTS LIST

Parts List Number :0000147280

Model Number :A4AC4042A1000BB

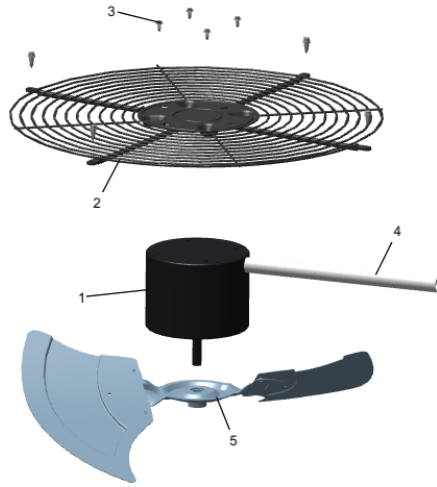
Part No.	Reference No.	Quantity	Description
PAN04325	*	1	PAN; BASE
SCR02010	*	41	SCREW; 12-18 AB HXW 1/2 SN
SCR02054	*	41	SCREW; 12-18 AB HXW 1/2 SN
COV05852	1	1	COVER; TOP SR 4
PNL37027	2	3	PANEL; WRAPPER SR 4.2
PNL37035	4	1	PANEL; CONTROL SR 4.2
COV05853	6	1	COVER; CONTROLS SR

Part No.	Reference No.	Quantity	Description
0000026022~P	*		CONTROLS PARTS LIST



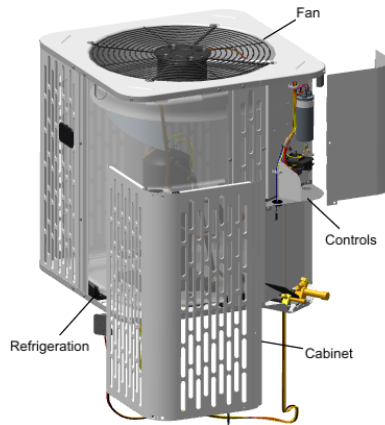
Part No.	Reference No.	Quantity	Description
CON00241	*	1	CONNECTOR; WIRE
PLU01344	*	1	PLUG; SCROLL COMPRESSOR HARNESS <3T
SCR01918	*	3	SCREW, 10-24 THREAD ROLL, INDENT HEX WASHER HD
CPT01842	1	1	CAPACITOR, RUN, 45/7.5 MFD, 370V, ROUND, W/O RESISTOR
LUG00012	2	1	LUG, GROUND
CTR03142	3	1	CONTACTOR; (LUG STYLE)
PLU00984	4	1	PLUG; LOCKING HOLE

Part No.	Reference No.	Quantity	Description
0000026000~P	*		FAN PARTS LIST



Part No.	Reference No.	Quantity	Description
MOT19274	1	1	MOTOR; FAN 1/5TH HP 8-POLE
GRL02245	2	1	GRILLE; FAN (SR4) (BLACK)
SCR02086	3	4	SCREW; 10-32 TR-3 HXW 3/8 S
GRD01415	4	1	GUARD, TROUGH-LEAD
BLD01362	5	1	BLADE; FAN BASE 4 SWEPT

Part No.	Reference No.	Quantity	Description
0000026020~P	*		GENERAL ASSEMBLY GRAPHIC



Part No.	Reference No.	Quantity	Description
0000026111~P	*		MODEL NUMBER DESCRIPTION

MODEL NUMBER DESCRIPTION

75005587

REL
C

OUTDOOR UNITS

Example Model Number:

4 A 7 A 0 0 3 6 A 1 0 0 0 A A
1 - - - 5 - - - 10 - - - 15

Digit 1 – Refrigerant Type

2 = R-22
4 = R-410A

Digit 2 – American Standard

Digit 3 – Product Type

6,W = Split Heat Pump
7,T = Split Cooling

Digit 4 – Product Family

V = Variable Speed
Z = Leadership - Two Stage
X = Leadership
R = Replacement/Retail
M or B = Basic
A = Light Commercial
L = Side Discharge

Digit 5 – Family SEER

3 = 13 7 = 17
4 = 14 8 = 18
5 = 15 9 = 19
6 = 16 0 = 20

Digits 6 – Split System Connections 1-6 Tons

0 = Brazed

Digits 7,8 – Nominal Capacity in 000s BTUs

Digit 9 – Major Design Modifications

Digit 10 – Power Supply

1 = 200-230/1/60 or 208-230/1/60
3 = 200-230/3/60
4 = 460/3/60

Digit 11,12,13 – Secondary Function

Digit 14 – Minor Design Modifications

Digit 15 – Unit Parts Identifier

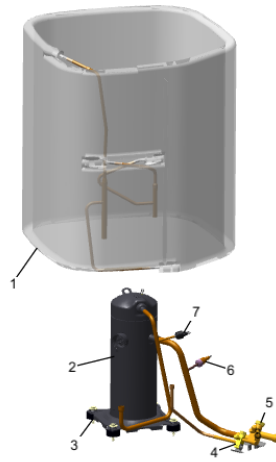
Parts List Number :0000147280

Model Number :A4AC4042A1000BB

Part No.	Reference No.	Quantity	Description
000004143~P	*		OPTIONAL ACCESSORIES LIST

Part No.	Reference No.	Quantity	Description
AY28X079	*	1	KIT; LOW TEMP COOLING (AY28X079)
BAYCCHT301RES	*	1	KIT; CRANKCASE HEATER FOR SCROLLS, 60W, 230V (BAYCCHT301RES), 6.5-7.5 DIA, 74 IN LENGTH
BAYISLT101	*	1	KIT; ISOLATOR (BAYISLT101) (CONTAINS A QTY OF 5 ISOLATORS)
BAYKSKT267	*	1	KIT; COMPRESSOR START KIT
BAYLEGS004	*	1	KIT; SNOW LEGS, CONTAINS (4) 4" MOUNTING LEGS
BAYLEGS007	*	1	KIT; SNOW LEGS, CONTAINS (4) 7" MOUNTING LEGS
BAYLOAM108	*	1	LOW AMBIENT KIT
BAYSDEN004	*	1	KIT; SOUND ENCLOSURE, (BAYSDEN004), (MODELS WITH LARGE FRAME (QUEST) SCROLL COMPRESSORS NO LARGER THAN 17.3" TALL OR 7.3" IN DIAMETER
PNL37058	*	1	PANEL; WRAPPER, DURA WRAP, LOWER LTL BARRIER - 4 SR

Part No.	Reference No.	Quantity	Description
0000026142~P	*		REFRIGERATION PARTS LIST



Part No.	Reference No.	Quantity	Description
CAP00156	*	0	CAP, TUBE PLUG, .447-.513 OD
CAP01336	*	1	CAP; SERVICE LIQUID VALVE, BRASS, 0.75 OD X 0.57 ID X 11/16-28UN-2B
SCR02054	*	4	SCREW; 12-18 AB HXW 1/2 SN
SLV00082	*	0	SLEEVE;
SLV00083	*	0	SLEEVE;
TER00312	*	0	TERMINAL; 8IN. TIE CABLE
TIE00007	*	0	TIE;CABLE
TIE00023	*	2	TIE;CABLE, 8.00IN.
TUB02810	*	10	TUBE; TRANSITION
TUB11547	*	10	TUBE; TRANSITION ASSEMBLY
COL29604		0	COIL; ASM-REPL PACKOUT
CAP01431	1	1	CAP; SERVICE VALVE
COM13577	2	1	COMPRESSOR; SCROLL, 2.83 TON, R-410A, 230V/1PH/60HZ WITH ALUMINUM MOTOR
SCR02010	3	4	SCREW; 12-18 AB HXW 1/2 SN
CAP01411	4	1	CAP; SERVICE VALVE, BRASS, 1.19 OD X 0.93 ID X 17/16-20UN-2B
VAL19478	5	1	VALVE; SUCTION (SMV-JA7YHTLA-L18)
SWT03273	7	1	SWITCH, HIGH PRESSURE, SPST, OPEN @ 650 PSIG, CLOSE @ 500 PSIG, 88" YELLOW LEAD