

| <b>Part No.</b> | <b>Reference No.</b> | <b>Quantity</b> | <b>Description</b>       |
|-----------------|----------------------|-----------------|--------------------------|
| 0000156173~S    | *                    |                 | CABINET                  |
| 0000168308~S    | *                    |                 | COMPRESSOR               |
| 0000156172~S    | *                    |                 | CONTROLS                 |
| 0000156171~S    | *                    |                 | FAN                      |
| 0000156169~S    | *                    |                 | GENERAL ASSEMBLY         |
| 0000156174~S    | *                    |                 | MODEL NUMBER DESCRIPTION |
| 0000156170~S    | *                    |                 | REFRIGERATION            |

| Part No.     | Reference No. | Quantity | Description          |
|--------------|---------------|----------|----------------------|
| 0000030403~P | *             |          | CABINETRY PARTS LIST |



| <b>Part No.</b> | <b>Reference No.</b> | <b>Quantity</b> | <b>Description</b>          |
|-----------------|----------------------|-----------------|-----------------------------|
| PAN04335        | *                    | 1               | PAN; BASE SR 3              |
| SCR02010        | *                    | 41              | SCREW; 12-18 AB HXW 1/2 SN  |
| SCR02054        | *                    | 41              | SCREW; 12-18 AB HXW 1/2 SN  |
| COV05851        | 1                    | 1               | COVER; TOP SR 3             |
| COV05853        | 3                    | 1               | COVER; CONTROLS SR          |
| BRK05354        | 4                    | 1               | BRACKET; BOTTOM-CONTROLS SR |
| PNL37032        | 5                    | 1               | PANEL; CONTROL SR 3.2       |
| PNL37024        | 6                    | 3               | PANEL; WRAPPER SR 3.2       |

| Part No.     | Reference No. | Quantity | Description           |
|--------------|---------------|----------|-----------------------|
| 0000037397~P | *             |          | COMPRESSOR PARTS LIST |

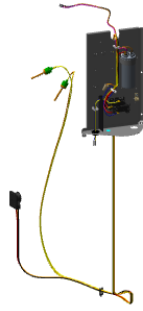
| Part No. | Reference No. | Quantity | Description                                                                                                          |
|----------|---------------|----------|----------------------------------------------------------------------------------------------------------------------|
| COM11996 |               | 1        | COMPRESSOR; SCROLL; LG; LBA020C1CLA; 1.75 TON; 19,500 BTUH; 208/230-60-1; R-410A; BRAZED; SUCTION 3/4; DISCHARGE 1/2 |

CONTROLS

Parts List Number :0000156154

Model Number :A4AC4024D1000AA

| Part No.     | Reference No. | Quantity | Description      |
|--------------|---------------|----------|------------------|
| 0000030361~P | *             |          | CONTROLS-COOLING |



| <b>Part No.</b> | <b>Reference No.</b> | <b>Quantity</b> | <b>Description</b>                                   |
|-----------------|----------------------|-----------------|------------------------------------------------------|
| CON00241        | *                    | 1               | CONNECTOR; WIRE                                      |
| PLU01346        | *                    | 1               | PLUG; SCROLL COMPRESSOR HARNESS 3T LG                |
| SCR01918        | *                    | 3               | SCREW, 10-24 THREAD ROLL, INDENT HEX WASHER HD       |
| CPT00977        | 1                    | 1               | CAPACITOR; DUAL, 35/5 MFD, 440V, ROUND, W/O RESISTOR |
| LUG00012        | 2                    | 1               | LUG, GROUND                                          |
| CTR03142        | 3                    | 1               | CONTACTOR; (LUG STYLE)                               |
| PLU00984        | 4                    | 1               | PLUG; LOCKING HOLE                                   |

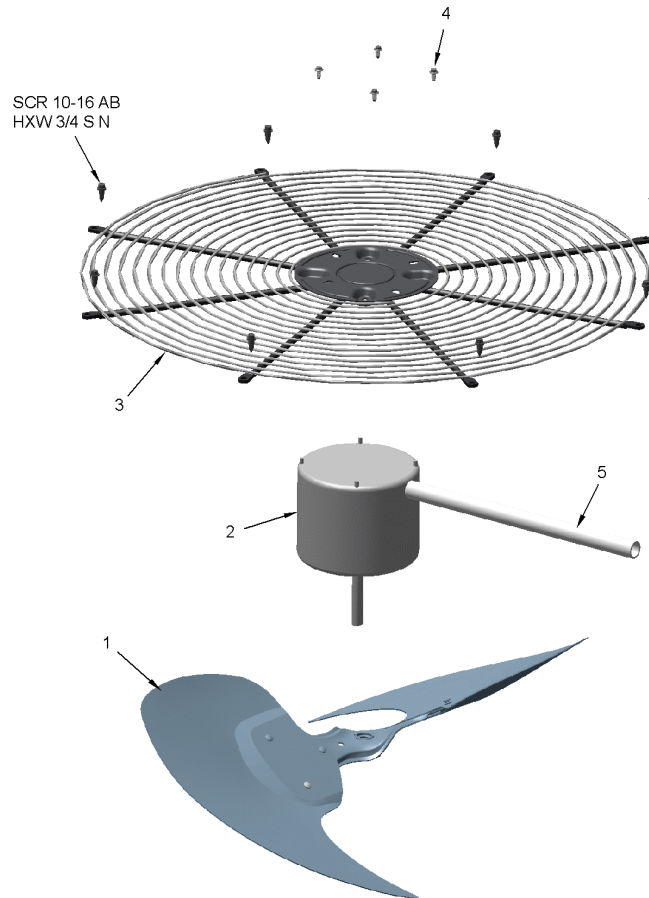
| Part No.     | Reference No. | Quantity | Description |
|--------------|---------------|----------|-------------|
| 0000030339~P | *             |          | AIR SYSTEM  |

FAN

75010673

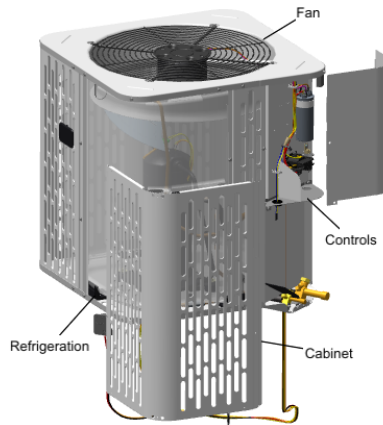
REV  
A

TYPICAL ILLUSTRATION



| Part No. | Reference No. | Quantity | Description                                                                                                                 |
|----------|---------------|----------|-----------------------------------------------------------------------------------------------------------------------------|
| FAN03657 | 1             | 1        | FAN, 2 SWEPT BLADE, 23" DIA, 24.5 DEGREES PITCH, .50" BORE, CCW, ALUMINUM, 1 SET SCREW-STEEL, SPIDER .075 THK, FINISH/PAINT |
| MOT17918 | 2             | 1        | MOTOR; 1/8 HP, 200/230/60/1, 825 RPM, 48 FRAME, PSC, SLEEVE BEARING, CCW                                                    |
| GRL02244 | 3             | 1        | GRILLE; FAN (SR3) (BLACK)                                                                                                   |
| SCR02086 | 4             | 4        | SCREW; 10-32 TR-3 HXW 3/8 S                                                                                                 |
| GRD01440 | 5             | 1        | GUARD; TROUGH-LEAD                                                                                                          |

| Part No.     | Reference No. | Quantity | Description              |
|--------------|---------------|----------|--------------------------|
| 0000004361~P | *             |          | GENERAL ASSEMBLY GRAPHIC |



| Part No.    | Reference No. | Quantity | Description          |
|-------------|---------------|----------|----------------------|
| 000009816~P | *             |          | MODEL NUMBER GRAPHIC |

| MODEL NUMBER DESCRIPTION                                                                                                                                                                                                                                                                                                                                                                                                                                                                                                                                                                                                                                                                               | 75013900 | REV<br>A |
|--------------------------------------------------------------------------------------------------------------------------------------------------------------------------------------------------------------------------------------------------------------------------------------------------------------------------------------------------------------------------------------------------------------------------------------------------------------------------------------------------------------------------------------------------------------------------------------------------------------------------------------------------------------------------------------------------------|----------|----------|
| <b>OUTDOOR UNITS</b>                                                                                                                                                                                                                                                                                                                                                                                                                                                                                                                                                                                                                                                                                   |          |          |
| <i>Example Model Number:</i><br><b>A 4 C A 4 0 3 6 A 1 0 0 0 A A</b><br>1 - - - 5 - - - 10 - - - 15                                                                                                                                                                                                                                                                                                                                                                                                                                                                                                                                                                                                    |          |          |
| <p><b>Digit 1 – Brand</b><br/>A = RunTru Brand</p> <p><b>Digit 2 – Refrigerant Type</b><br/>4 = R410a</p> <p><b>Digit 3,4 – Product Family</b><br/>AC = Air Conditioner<br/>HP = Heat Pump</p> <p><b>Digit 5 – Nominal Efficiency Rating</b><br/>3 = 13 SEER<br/>4 = 14 SEER<br/>6 = 16 SEER</p> <p><b>Digits 6,7,8 – Nominal Capacity</b><br/>BTU/Hour x 1000</p> <p><b>Digit 9 – Major Design Modifications</b></p> <p><b>Digit 10 – Electric Power Supply</b><br/>1 = 200-230/1PH/60Hz or 208-230/1PH/60Hz</p> <p><b>Digit 11,12,13 – Secondary Function</b><br/>000 = No Secondary Function</p> <p><b>Digit 14 – Minor Design Modifications</b></p> <p><b>Digit 15 – Unit Parts Identifier</b></p> |          |          |
| 1 of 1                                                                                                                                                                                                                                                                                                                                                                                                                                                                                                                                                                                                                                                                                                 |          |          |

REFRIGERATION

Parts List Number :0000156154

Model Number :A4AC4024D1000AA

| Part No.     | Reference No. | Quantity | Description        |
|--------------|---------------|----------|--------------------|
| 0000030269~P | *             |          | REFRIGERANT SYSTEM |

| Part No. | Reference No. | Quantity | Description                                                                     |
|----------|---------------|----------|---------------------------------------------------------------------------------|
| CAP00156 | *             | 0        | CAP, TUBE PLUG, .447-.513 OD                                                    |
| COM13701 | *             | 1        | COMPRESSOR; LCA029C1CPA SCROLL-13701                                            |
| SCR02010 | *             | 4        | SCREW; 12-18 AB HXW 1/2 SN                                                      |
| SCR02054 | *             | 4        | SCREW; 12-18 AB HXW 1/2 SN                                                      |
| TUB02810 | *             | 8        | TUBE; TRANSITION                                                                |
| VAL19479 | *             | 1        | VALVE; SUCTION (SMV-JA6YHTLA-L16)                                               |
| COL31741 |               | 1        | COIL; CONDENSER SPINE-FIN                                                       |
| CAP01336 | 1             | 1        | CAP; SERVICE LIQUID VALVE, BRASS, 0.75 OD X 0.57 ID X 11/16-28UN-2B             |
| CAP01315 | 2             | 1        | CAP; SERVICE LIQUID VALVE, BRASS, 1.06 OD X 0.81 ID X 15/16-20UNEF-2B           |
| SWT03274 | 3             | 1        | SWITCH, HIGH PRESSURE, SPST, OPEN @ 650 PSIG, CLOSE @ 500 PSIG, 75" YELLOW LEAD |
| TUB11547 | 4             | 8        | TUBE; TRANSITION ASSEMBLY                                                       |