

<b>Part No.</b>	<b>Reference No.</b>	<b>Quantity</b>	<b>Description</b>
0000156173~S	*		CABINET
0000168308~S	*		COMPRESSOR
0000156172~S	*		CONTROLS
0000156171~S	*		FAN
0000156169~S	*		GENERAL ASSEMBLY
0000156174~S	*		MODEL NUMBER DESCRIPTION
0000156170~S	*		REFRIGERATION

Part No.	Reference No.	Quantity	Description
0000030390~P	*		CABINETRY PARTS LIST

<b>Part No.</b>	<b>Reference No.</b>	<b>Quantity</b>	<b>Description</b>
SCR02010	*	39	SCREW; 12-18 AB HXW 1/2 SN
SCR02054	*	39	SCREW; 12-18 AB HXW 1/2 SN
COV05850		1	COVER; TOP SR 2
COV05850	1	1	COVER; TOP SR 2
BRK05354	4	1	BRACKET; BOTTOM-CONTROLS SR
PNL37031	5	1	PANEL; CONTROL SR 2.2
PNL37023	6	3	PANEL; WRAPPER SR 2.2

COMPRESSOR

Parts List Number :0000156154

Model Number :A4AC4023D1000BA

Part No.	Reference No.	Quantity	Description
0000037391~P	*		COMPRESSOR PARTS LIST

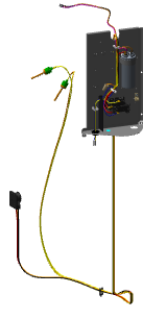
Part No.	Reference No.	Quantity	Description
COM13598		1	COMPRESSOR; SCROLL, 1.67 TON, R-410A, 230V/1PH/60HZ WITH HYBRID MOTOR

CONTROLS

Parts List Number :0000156154

Model Number :A4AC4023D1000BA

Part No.	Reference No.	Quantity	Description
0000030361~P	*		CONTROLS-COOLING



<b>Part No.</b>	<b>Reference No.</b>	<b>Quantity</b>	<b>Description</b>
CON00241	*	1	CONNECTOR; WIRE
PLU01346	*	1	PLUG; SCROLL COMPRESSOR HARNESS 3T LG
SCR01918	*	3	SCREW, 10-24 THREAD ROLL, INDENT HEX WASHER HD
CPT00977	1	1	CAPACITOR; DUAL, 35/5 MFD, 440V, ROUND, W/O RESISTOR
LUG00012	2	1	LUG, GROUND
CTR03142	3	1	CONTACTOR; (LUG STYLE)
PLU00984	4	1	PLUG; LOCKING HOLE

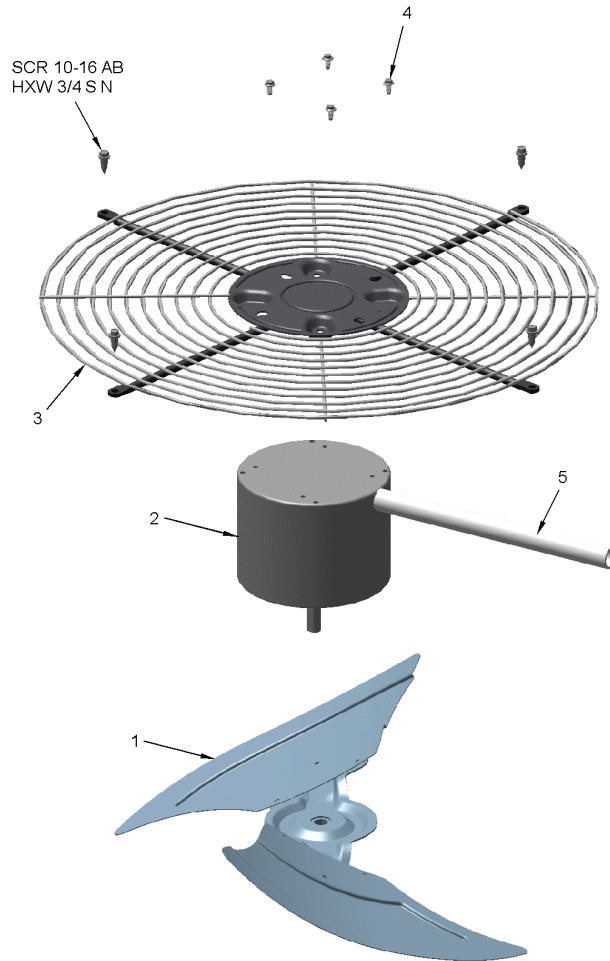
Part No.	Reference No.	Quantity	Description
0000030341~P	*		AIR SYSTEM

FAN

75010676

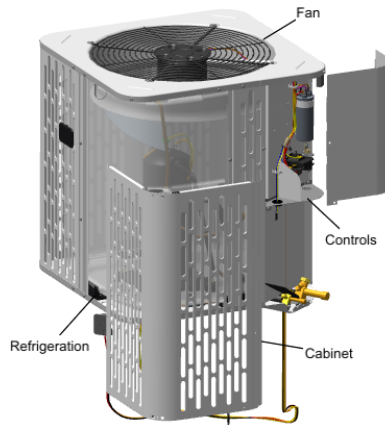
REV  
A

TYPICAL ILLUSTRATION



Part No.	Reference No.	Quantity	Description
FAN04635	1	1	FAN; 2 SWEPT BLADES, 18.92 IN DIA, 28 DEG PITCH, 0.50 IN BORE, CCW, ALUMINUM, 1 SET SCREW-STEEL, SPIDER .050 THK
MOT19273	2	1	MOTOR; FAN 1/8TH HP 6-POLE
GRL02243	3	1	GRILLE; FAN (SR2) (BLACK)
SCR02086	4	4	SCREW; 10-32 TR-3 HXW 3/8 S
GRD01715	5	1	GUARD; TROUGH-LEAD, 11 IN L X 0.83 OD

Part No.	Reference No.	Quantity	Description
0000004361~P	*		GENERAL ASSEMBLY GRAPHIC



Part No.	Reference No.	Quantity	Description
000009816~P	*		MODEL NUMBER GRAPHIC

MODEL NUMBER DESCRIPTION	75013900	REV A
<b>OUTDOOR UNITS</b>		
<i>Example Model Number:</i> <b>A 4 C A 4 0 3 6 A 1 0 0 0 A A</b> 1 - - - 5 - - - 10 - - - 15		
<b>Digit 1 – Brand</b>		
A = RunTru Brand		
<b>Digit 2 – Refrigerant Type</b>		
4 = R410a		
<b>Digit 3,4 – Product Family</b>		
AC = Air Conditioner		
HP = Heat Pump		
<b>Digit 5 – Nominal Efficiency Rating</b>		
3 = 13 SEER		
4 = 14 SEER		
6 = 16 SEER		
<b>Digits 6,7,8 – Nominal Capacity</b>		
BTU/Hour x 1000		
<b>Digit 9 – Major Design Modifications</b>		
<b>Digit 10 – Electric Power Supply</b>		
1 = 200-230/1PH/60Hz or 208-230/1PH/60Hz		
<b>Digit 11,12,13 – Secondary Function</b>		
000 = No Secondary Function		
<b>Digit 14 – Minor Design Modifications</b>		
<b>Digit 15 – Unit Parts Identifier</b>		
1 of 1		

REFRIGERATION

Parts List Number :0000156154

Model Number :A4AC4023D1000BA

Part No.	Reference No.	Quantity	Description
0000030270~P	*		REFRIGERANT SYSTEM

Part No.	Reference No.	Quantity	Description
CAP00156	*	0	CAP, TUBE PLUG, .447-.513 OD
COL29601	*	0	COIL; ASM-REPL PACKOUT
COM13598	*	1	COMPRESSOR; SCROLL, 1.67 TON, R-410A, 230V/1PH/60HZ WITH HYBRID MOTOR
SCR02010	*	4	SCREW; 12-18 AB HXW 1/2 SN
SCR02054	*	4	SCREW; 12-18 AB HXW 1/2 SN
TUB02810	*	8	TUBE; TRANSITION
VAL19479	*	1	VALVE; SUCTION (SMV-JA6YHTLA-L16)
CAP01315	1	1	CAP; SERVICE LIQUID VALVE, BRASS, 1.06 OD X 0.81 ID X 15/16-20UNEF-2B
CAP01336	2	1	CAP; SERVICE LIQUID VALVE, BRASS, 0.75 OD X 0.57 ID X 11/16-28UN-2B
SWT03274	3	1	SWITCH, HIGH PRESSURE, SPST, OPEN @ 650 PSIG, CLOSE @ 500 PSIG, 75" YELLOW LEAD
TUB11547	4	8	TUBE; TRANSITION ASSEMBLY