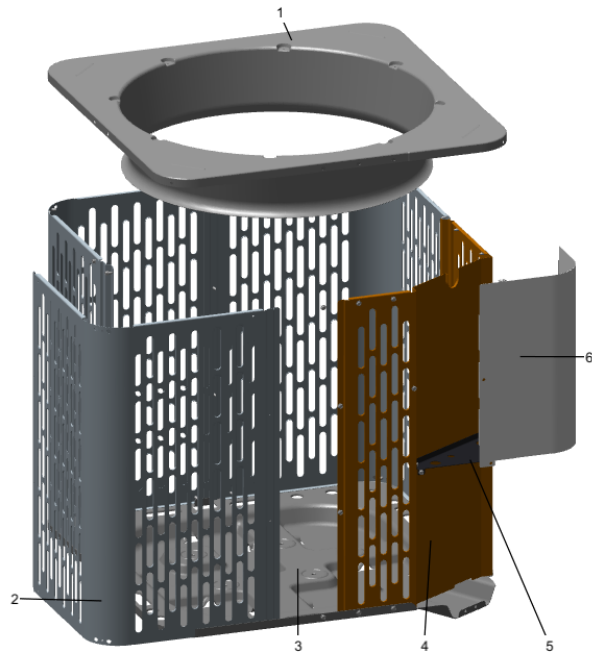


<b>Part No.</b>	<b>Reference No.</b>	<b>Quantity</b>	<b>Description</b>
0000147490~S	*		CABINET
0000186505~S	*		COMPRESSOR MOUNTING
0000185553~S	*		COMPRESSOR
0000147489~S	*		CONTROLS
0000147486~S	*		GENERAL ASSEMBLY
0000147492~S	*		MODEL NUMBER DESCRIPTION
0000147487~S	*		REFRIGERATION

Part No.	Reference No.	Quantity	Description
0000031549~P	*		CABINET



<b>Part No.</b>	<b>Reference No.</b>	<b>Quantity</b>	<b>Description</b>
SCR02010	*	41	SCREW; 12-18 AB HXW 1/2 SN
SCR02054	*	41	SCREW; 12-18 AB HXW 1/2 SN
COV05852	1	1	COVER; TOP SR 4
PNL37029	2	3	PANEL; WRAPPER SR 4.4
PAN04325	3	1	PAN; BASE
PNL37037	4	1	PANEL; CONTROL SR 4.4
BRK05354	5	1	BRACKET; BOTTOM-CONTROLS SR
COV05853	6	1	COVER; CONTROLS SR

COMPRESSOR

Parts List Number :0000147280

Model Number :A4AC3060D1000AA

<b>Part No.</b>	<b>Reference No.</b>	<b>Quantity</b>	<b>Description</b>
0000041487~P	*		COMPRESSOR MTG
0000037691~P	*		COMPRESSOR

COMPRESSOR

Parts List Number :0000147280

Model Number :A4AC3060D1000AA

Part No.	Reference No.	Quantity	Description
COM11497	1	1	COMPRESSOR; SCROLL, ALLIANCE, SBA049B1CPZ, 4.0 TON, 49,000 BTUH, 208/230-60-1, R410-A, BRAZED, SUCTION 7/8, DISCHARGE 1/2, RLA 26.4

<b>Part No.</b>	<b>Reference No.</b>	<b>Quantity</b>	<b>Description</b>
ISR00362	1	4	ISOLATOR; VIBRATION
SCR01914	2	4	SCREW, ASSEMBLY COMPRESSOR, 5/16-12 TYPE B, W/WASHER & SLEEVE

Part No.	Reference No.	Quantity	Description
0000041487~P	*		COMPRESSOR MTG

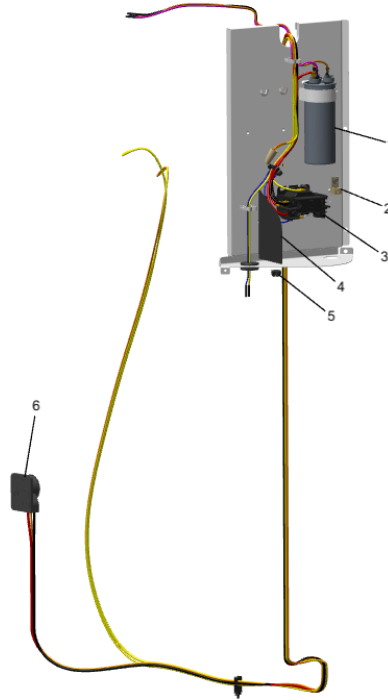
<b>Part No.</b>	<b>Reference No.</b>	<b>Quantity</b>	<b>Description</b>
ISR00362	1	4	ISOLATOR; VIBRATION
SCR01914	2	4	SCREW, ASSEMBLY COMPRESSOR, 5/16-12 TYPE B, W/WASHER & SLEEVE

CONTROLS

Parts List Number :0000147280

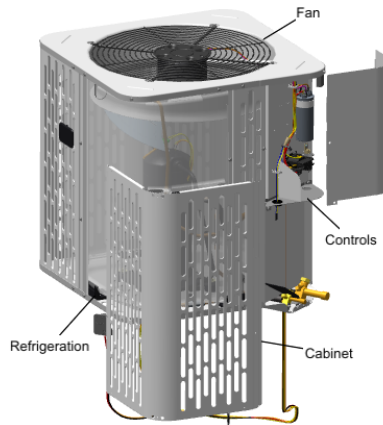
Model Number :A4AC3060D1000AA

Part No.	Reference No.	Quantity	Description
0000035608~P	*		CONTROLS



<b>Part No.</b>	<b>Reference No.</b>	<b>Quantity</b>	<b>Description</b>
CON00241	*	1	CONNECTOR; WIRE
PLU01345	*	1	PLUG; SCROLL COMPRESSOR HARNESS >3T
SCR01918	*	3	SCREW, 10-24 THREAD ROLL, INDENT HEX WASHER HD
CPT02657	1	1	CAPACITOR; 70+7.5 MFD 370V
LUG00012	2	1	LUG, GROUND
CTR03143	3	1	CONTACTOR; (LUG STYLE)
PLU00984	5	1	PLUG; LOCKING HOLE

Part No.	Reference No.	Quantity	Description
0000026020~P	*		GENERAL ASSEMBLY GRAPHIC



Part No.	Reference No.	Quantity	Description
0000026111~P	*		MODEL NUMBER DESCRIPTION

MODEL NUMBER DESCRIPTION

75005587

REL  
C

OUTDOOR UNITS

*Example Model Number:*

**4 A 7 A 0 0 3 6 A 1 0 0 0 A A**  
1 - - - 5 - - - 10 - - - 15

**Digit 1 – Refrigerant Type**

2 = R-22  
4 = R-410A

**Digit 2 – American Standard**

**Digit 3 – Product Type**

6,W = Split Heat Pump  
7,T = Split Cooling

**Digit 4 – Product Family**

V = Variable Speed  
Z = Leadership - Two Stage  
X = Leadership  
R = Replacement/Retail  
M or B = Basic  
A = Light Commercial  
L = Side Discharge

**Digit 5 – Family SEER**

3 = 13      7 = 17  
4 = 14      8 = 18  
5 = 15      9 = 19  
6 = 16      0 = 20

**Digits 6 – Split System Connections 1-6 Tons**

0 = Brazed

**Digits 7,8 – Nominal Capacity in 000s BTUs**

**Digit 9 – Major Design Modifications**

**Digit 10 – Power Supply**

1 = 200-230/1/60 or 208-230/1/60  
3 = 200-230/3/60  
4 = 460/3/60

**Digit 11,12,13 – Secondary Function**

**Digit 14 – Minor Design Modifications**

**Digit 15 – Unit Parts Identifier**

REFRIGERATION

Parts List Number :0000147280

Model Number :A4AC3060D1000AA

Part No.	Reference No.	Quantity	Description
0000041527~P	*		REFRIGERANT SYSTEM

Part No.	Reference No.	Quantity	Description
SCR02010	1	4	SCREW; 12-18 AB HXW 1/2 SN
CAP01411	2	1	CAP; SERVICE VALVE, BRASS, 1.19 OD X 0.93 ID X 17/16-20UN-2B
CAP01336	3	1	CAP; SERVICE LIQUID VALVE, BRASS, 0.75 OD X 0.57 ID X 11/16-28UN-2B
TUB15951	4	1	TUBE; TU-DIS(5-Z-A-B-0)11 BZ
SCR02054	5	4	SCREW; 12-18 AB HXW 1/2 SN
TIE00007	6	0	TIE;CABLE
SWT04656	7	1	SWITCH; LOW PRESSURE BZ
SLV00082	8	0	SLEEVE;
TUB11547	9	14	TUBE; TRANSITION ASSEMBLY
VAL20538	10	1	VALVE-SER LIQ O(06-06)
TUB02810	11	14	TUBE; TRANSITION
SLV00083	12	0	SLEEVE;
TER00312	13	0	TERMINAL; 8IN. TIE CABLE
VAL19480	14	1	VALVE; SUCTION (SMV-JA7YHTLA-L19)
CAP01431	15	1	CAP; SERVICE VALVE
TIE00023	16	2	TIE;CABLE, 8.00IN.
COL29599	17	0	COIL; ASM-REPL PACKOUT
CAP00156	18	0	CAP, TUBE PLUG, .447-.513 OD