

Part No.	Reference No.	Quantity	Description
0000147490~S	*		CABINET
0000186505~S	*		COMPRESSOR MOUNTING
0000185553~S	*		COMPRESSOR
0000147489~S	*		CONTROLS
0000147488~S	*		FAN
0000147486~S	*		GENERAL ASSEMBLY
0000147492~S	*		MODEL NUMBER DESCRIPTION
0000147487~S	*		REFRIGERATION

Part No.	Reference No.	Quantity	Description
0000026031~P	*		CABINET PARTS LIST

Part No.	Reference No.	Quantity	Description
PAN04325	*	1	PAN; BASE
SCR02010	*	41	SCREW; 12-18 AB HXW 1/2 SN
SCR02054	*	41	SCREW; 12-18 AB HXW 1/2 SN
COV05852	1	1	COVER; TOP SR 4
PNL37027	2	3	PANEL; WRAPPER SR 4.2
PNL37035	4	1	PANEL; CONTROL SR 4.2
COV05853	6	1	COVER; CONTROLS SR

COMPRESSOR

Parts List Number :0000147280

Model Number :A4AC3048D1000AA

Part No.	Reference No.	Quantity	Description
0000041487~P	*		COMPRESSOR MTG
0000041488~P	*		SCROLL COMPRESSOR

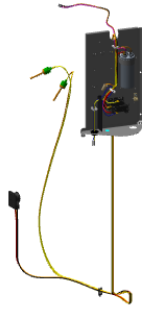
Part No.	Reference No.	Quantity	Description
ISR00362	1	4	ISOLATOR; VIBRATION
SCR01914	2	4	SCREW, ASSEMBLY COMPRESSOR, 5/16-12 TYPE B, W/WASHER & SLEEVE

Part No.	Reference No.	Quantity	Description
COM11528	1	1	COMPRESSOR; SCROLL, ALLIANCE, SBA040B1CPZ, 3.5 TON, 40,000 BTUH, 208/230-60-1, R410-A, BRAZED, SUCTION 7/8, DISCHARGE 1/2, RLA 20.6

Part No.	Reference No.	Quantity	Description
0000041487~P	*		COMPRESSOR MTG

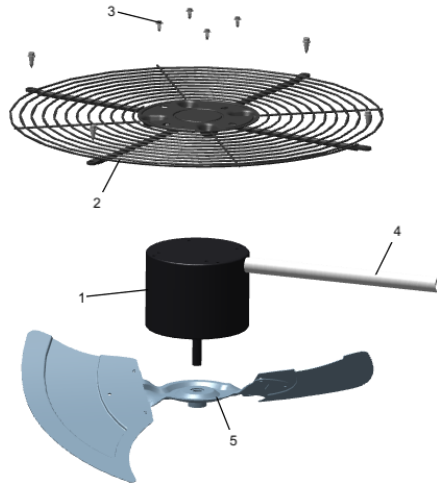
Part No.	Reference No.	Quantity	Description
ISR00362	1	4	ISOLATOR; VIBRATION
SCR01914	2	4	SCREW, ASSEMBLY COMPRESSOR, 5/16-12 TYPE B, W/WASHER & SLEEVE

Part No.	Reference No.	Quantity	Description
0000026022~P	*		CONTROLS PARTS LIST



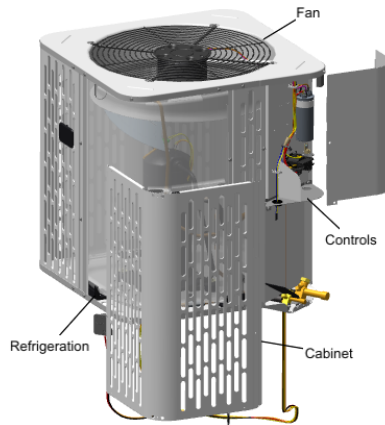
Part No.	Reference No.	Quantity	Description
CON00241	*	1	CONNECTOR; WIRE
PLU01344	*	1	PLUG; SCROLL COMPRESSOR HARNESS <3T
SCR01918	*	3	SCREW, 10-24 THREAD ROLL, INDENT HEX WASHER HD
CPT01842	1	1	CAPACITOR, RUN, 45/7.5 MFD, 370V, ROUND, W/O RESISTOR
LUG00012	2	1	LUG, GROUND
CTR03142	3	1	CONTACTOR; (LUG STYLE)
PLU00984	4	1	PLUG; LOCKING HOLE

Part No.	Reference No.	Quantity	Description
0000033402~P	*		FAN PARTS LIST



Part No.	Reference No.	Quantity	Description
MOT17917	1	1	MOTOR; 1/5 HP, 200/230/60/1, 825 RPM, 48 FRAME, PSC, BALL BEARING, CCW
GRL01348	2	1	GRILLE; FAN, 29 IN DIA, SPIRAL WIRE, BASALT GREY
SCR02086	3	4	SCREW; 10-32 TR-3 HXW 3/8 S
GRD01415	4	1	GUARD, TROUGH-LEAD
BLD01362	5	1	BLADE; FAN BASE 4 SWEPT

Part No.	Reference No.	Quantity	Description
0000026020~P	*		GENERAL ASSEMBLY GRAPHIC



Part No.	Reference No.	Quantity	Description
0000026111~P	*		MODEL NUMBER DESCRIPTION

MODEL NUMBER DESCRIPTION

75005587

REL
C

OUTDOOR UNITS

Example Model Number:

4 A 7 A 0 0 3 6 A 1 0 0 0 A A
1 - - - 5 - - - 10 - - - 15

Digit 1 – Refrigerant Type

2 = R-22
4 = R-410A

Digit 2 – American Standard

Digit 3 – Product Type

6,W = Split Heat Pump
7,T = Split Cooling

Digit 4 – Product Family

V = Variable Speed
Z = Leadership - Two Stage
X = Leadership
R = Replacement/Retail
M or B = Basic
A = Light Commercial
L = Side Discharge

Digit 5 – Family SEER

3 = 13 7 = 17
4 = 14 8 = 18
5 = 15 9 = 19
6 = 16 0 = 20

Digits 6 – Split System Connections 1-6 Tons

0 = Brazed

Digits 7,8 – Nominal Capacity in 000s BTUs

Digit 9 – Major Design Modifications

Digit 10 – Power Supply

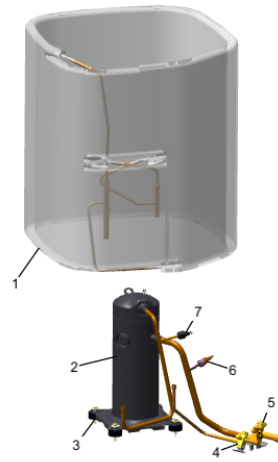
1 = 200-230/1/60 or 208-230/1/60
3 = 200-230/3/60
4 = 460/3/60

Digit 11,12,13 – Secondary Function

Digit 14 – Minor Design Modifications

Digit 15 – Unit Parts Identifier

Part No.	Reference No.	Quantity	Description
0000026142~P	*		REFRIGERATION PARTS LIST



Part No.	Reference No.	Quantity	Description
CAP00156	*	0	CAP, TUBE PLUG, .447-.513 OD
CAP01336	*	1	CAP; SERVICE LIQUID VALVE, BRASS, 0.75 OD X 0.57 ID X 11/16-28UN-2B
SCR02054	*	4	SCREW; 12-18 AB HXW 1/2 SN
SLV00082	*	0	SLEEVE;
SLV00083	*	0	SLEEVE;
TER00312	*	0	TERMINAL; 8IN. TIE CABLE
TIE00007	*	0	TIE;CABLE
TIE00023	*	2	TIE;CABLE, 8.00IN.
TUB02810	*	10	TUBE; TRANSITION
TUB11547	*	10	TUBE; TRANSITION ASSEMBLY
COL29604		0	COIL; ASM-REPL PACKOUT
CAP01431	1	1	CAP; SERVICE VALVE
COM13577	2	1	COMPRESSOR; SCROLL, 2.83 TON, R-410A, 230V/1PH/60HZ WITH ALUMINUM MOTOR
SCR02010	3	4	SCREW; 12-18 AB HXW 1/2 SN
CAP01411	4	1	CAP; SERVICE VALVE, BRASS, 1.19 OD X 0.93 ID X 17/16-20UN-2B
VAL19478	5	1	VALVE; SUCTION (SMV-JA7YHTLA-L18)
SWT03273	7	1	SWITCH, HIGH PRESSURE, SPST, OPEN @ 650 PSIG, CLOSE @ 500 PSIG, 88" YELLOW LEAD