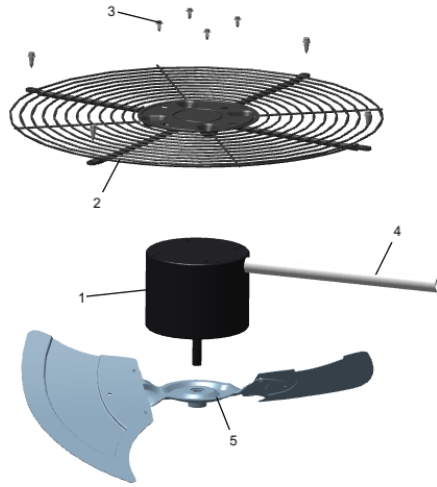


| Part No. | Reference No. | Quantity | Description |
|-----------------|----------------------|-----------------|--------------------------|
| 0000147490~S | * | | CABINET |
| 0000147488~S | * | | FAN |
| 0000147486~S | * | | GENERAL ASSEMBLY |
| 0000147492~S | * | | MODEL NUMBER DESCRIPTION |
| 0000147487~S | * | | REFRIGERATION |

| Part No. | Reference No. | Quantity | Description |
|--------------|---------------|----------|----------------------|
| 0000030402~P | * | | CABINETRY PARTS LIST |

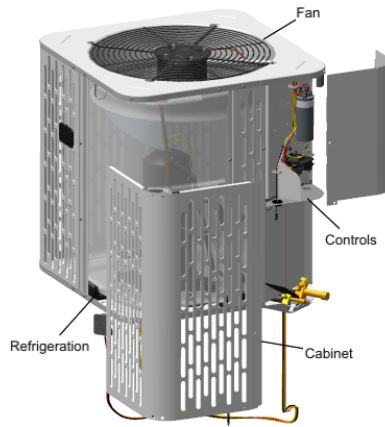
| Part No. | Reference No. | Quantity | Description |
|-----------------|----------------------|-----------------|-----------------------------|
| PAN04335 | * | 1 | PAN; BASE SR 3 |
| SCR02010 | * | 41 | SCREW; 12-18 AB HXW 1/2 SN |
| SCR02054 | * | 41 | SCREW; 12-18 AB HXW 1/2 SN |
| COV05851 | 1 | 1 | COVER; TOP SR 3 |
| PNL37025 | 2 | 3 | PANEL; WRAPPER SR 3.3 |
| PNL37033 | 4 | 1 | PANEL; CONTROL SR 3.3 |
| BRK05354 | 5 | 1 | BRACKET; BOTTOM-CONTROLS SR |
| COV05853 | 6 | 1 | COVER; CONTROLS SR |

| Part No. | Reference No. | Quantity | Description |
|--------------|---------------|----------|----------------|
| 0000033727~P | * | | FAN PARTS LIST |



| Part No. | Reference No. | Quantity | Description |
|-----------------|----------------------|-----------------|--|
| MOT16968 | 1 | 1 | MOTOR; 1/8 HP |
| GRL01347 | 2 | 1 | GRILLE; FAN, 25.51 MOUNTING DIA |
| SCR02086 | 3 | 4 | SCREW; 10-32 TR-3 HXW 3/8 S |
| GRD01440 | 4 | 1 | GUARD; TROUGH-LEAD |
| FAN04634 | 5 | 1 | FAN; 2 SWEEP BLADES, 23 IN DIA, 28 DEG PITCH, .50 IN BORE, CCW, ALUMINUM, 1 SET SCREW-STEEL, SPIDER .050 THK |

| Part No. | Reference No. | Quantity | Description |
|--------------|---------------|----------|--------------------------|
| 0000026020~P | * | | GENERAL ASSEMBLY GRAPHIC |



| Part No. | Reference No. | Quantity | Description |
|--------------|---------------|----------|--------------------------|
| 0000026111~P | * | | MODEL NUMBER DESCRIPTION |

MODEL NUMBER DESCRIPTION

75005587

REL
C

OUTDOOR UNITS

Example Model Number:

4 A 7 A 0 0 3 6 A 1 0 0 0 A A
1 - - - 5 - - - 10 - - - 15

Digit 1 – Refrigerant Type

2 = R-22
4 = R-410A

Digit 2 – American Standard

Digit 3 – Product Type

6,W = Split Heat Pump
7,T = Split Cooling

Digit 4 – Product Family

V = Variable Speed
Z = Leadership - Two Stage
X = Leadership
R = Replacement/Retail
M or B = Basic
A = Light Commercial
L = Side Discharge

Digit 5 – Family SEER

3 = 13 7 = 17
4 = 14 8 = 18
5 = 15 9 = 19
6 = 16 0 = 20

Digits 6 – Split System Connections 1-6 Tons

0 = Brazed

Digits 7,8 – Nominal Capacity in 000s BTUs

Digit 9 – Major Design Modifications

Digit 10 – Power Supply

1 = 200-230/1/60 or 208-230/1/60
3 = 200-230/3/60
4 = 460/3/60

Digit 11,12,13 – Secondary Function

Digit 14 – Minor Design Modifications

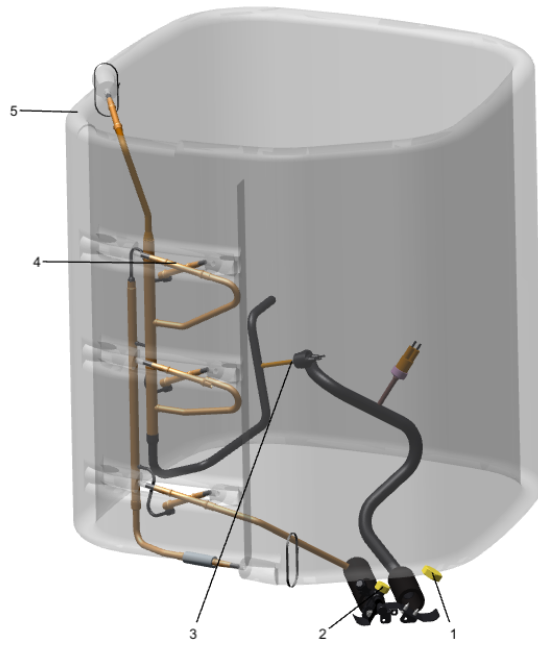
Digit 15 – Unit Parts Identifier

REFRIGERATION

Parts List Number :0000147280

Model Number :A4AC3036D1000AA

| Part No. | Reference No. | Quantity | Description |
|--------------|---------------|----------|--------------------|
| 0000030278~P | * | | REFRIGERANT SYSTEM |



| Part No. | Reference No. | Quantity | Description |
|----------|---------------|----------|---|
| CAP00156 | * | 0 | CAP, TUBE PLUG, .447-.513 OD |
| SCR02010 | * | 4 | SCREW; 12-18 AB HXW 1/2 SN |
| SCR02054 | * | 4 | SCREW; 12-18 AB HXW 1/2 SN |
| TUB02810 | * | 8 | TUBE; TRANSITION |
| VAL19479 | * | 1 | VALVE; SUCTION (SMV-JA6YHTLA-L16) |
| COM13701 | | 1 | COMPRESSOR; LCA029C1CPA SCROLL-13701 |
| CAP01336 | 1 | 1 | CAP; SERVICE LIQUID VALVE, BRASS, 0.75 OD X 0.57 ID X 11/16-28UN-2B |
| CAP01315 | 2 | 1 | CAP; SERVICE LIQUID VALVE, BRASS, 1.06 OD X 0.81 ID X 15/16-20UNEF-2B |
| SWT03274 | 3 | 1 | SWITCH, HIGH PRESSURE, SPST, OPEN @ 650 PSIG, CLOSE @ 500 PSIG, 75" YELLOW LEAD |
| TUB11547 | 4 | 8 | TUBE; TRANSITION ASSEMBLY |
| COL29603 | 5 | 0 | COIL; ASM-REPL PACKOUT |