

Part No.	Reference No.	Quantity	Description
0000147490~S	*		CABINET
0000186505~S	*		COMPRESSOR MOUNTING
0000185553~S	*		COMPRESSOR
0000147489~S	*		CONTROLS
0000147488~S	*		FAN
0000147486~S	*		GENERAL ASSEMBLY
0000147492~S	*		MODEL NUMBER DESCRIPTION
0000147487~S	*		REFRIGERATION

Part No.	Reference No.	Quantity	Description
0000031551~P	*		CABINET

Part No.	Reference No.	Quantity	Description
SCR02010	*	41	SCREW; 12-18 AB HXW 1/2 SN
SCR02054	*	41	SCREW; 12-18 AB HXW 1/2 SN
COV05851	1	1	COVER; TOP SR 3
PNL37024	2	3	PANEL; WRAPPER SR 3.2
PAN04335	3	1	PAN; BASE SR 3
PNL37032	4	1	PANEL; CONTROL SR 3.2
BRK05354	5	1	BRACKET; BOTTOM-CONTROLS SR
COV05853	6	1	COVER; CONTROLS SR

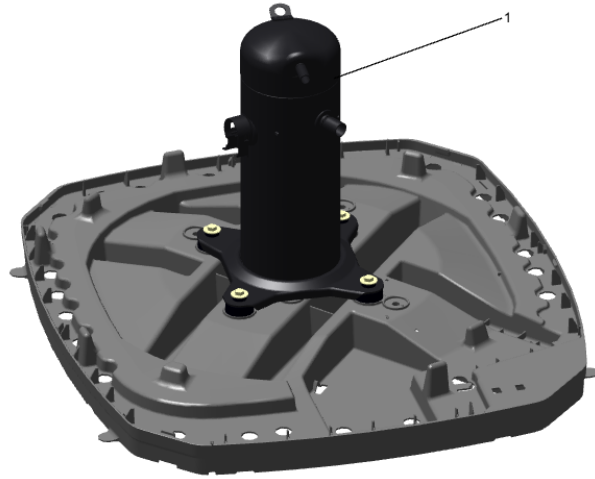
COMPRESSOR

Parts List Number :0000147280

Model Number :A4AC3035D1000AA

Part No.	Reference No.	Quantity	Description
0000041487~P	*		COMPRESSOR MTG
0000038641~P	*		SCROLL COMPRESSOR

Part No.	Reference No.	Quantity	Description
ISR00362	1	4	ISOLATOR; VIBRATION
SCR01914	2	4	SCREW, ASSEMBLY COMPRESSOR, 5/16-12 TYPE B, W/WASHER & SLEEVE



Part No.	Reference No.	Quantity	Description
COM13701	1	1	COMPRESSOR; LCA029C1CPA SCROLL-13701

Part No.	Reference No.	Quantity	Description
0000041487~P	*		COMPRESSOR MTG

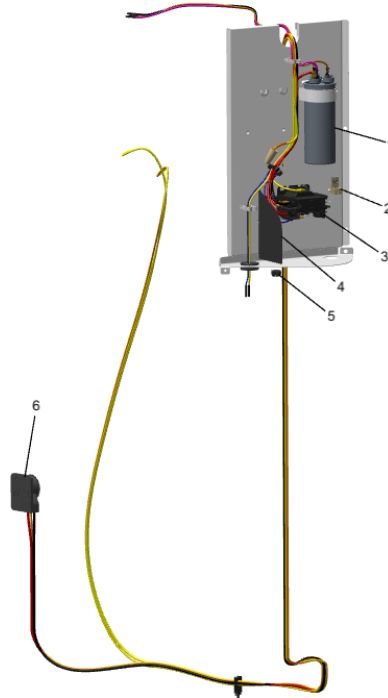
Part No.	Reference No.	Quantity	Description
ISR00362	1	4	ISOLATOR; VIBRATION
SCR01914	2	4	SCREW, ASSEMBLY COMPRESSOR, 5/16-12 TYPE B, W/WASHER & SLEEVE

CONTROLS

Parts List Number :0000147280

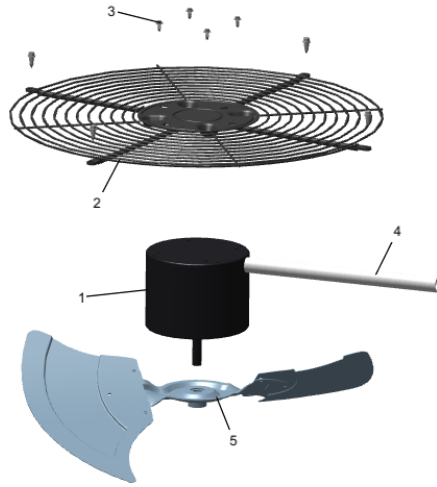
Model Number :A4AC3035D1000AA

Part No.	Reference No.	Quantity	Description
0000031571~P	*		CONTROLS



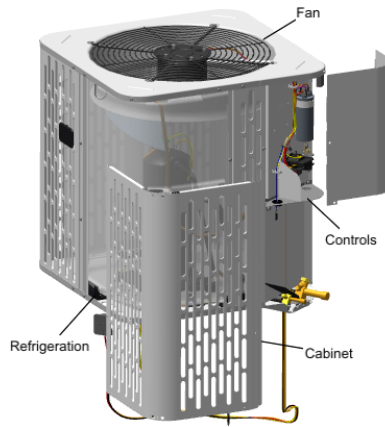
Part No.	Reference No.	Quantity	Description
CON00241	*	1	CONNECTOR; WIRE
SCR01918	*	3	SCREW, 10-24 THREAD ROLL, INDENT HEX WASHER HD
CPT02380	1	1	CAPACITOR; DUAL, 45/5 MFD, 370V, ROUND, W/O RESISTOR
LUG00012	2	1	LUG, GROUND
CTR03142	3	1	CONTACTOR; (LUG STYLE)
PLU00984	5	1	PLUG; LOCKING HOLE
PLU01346	6	1	PLUG; SCROLL COMPRESSOR HARNESS 3T LG

Part No.	Reference No.	Quantity	Description
0000033549~P	*		FAN PARTS LIST



Part No.	Reference No.	Quantity	Description
GRD01440	1	1	GUARD; TROUGH-LEAD
SCR02086	2	4	SCREW; 10-32 TR-3 HXW 3/8 S
MOT16968	3	1	MOTOR; 1/8 HP
FAN06627	4	1	FAN; TR3R32-2
GRL01347	5	1	GRILLE; FAN, 25.51 MOUNTING DIA

Part No.	Reference No.	Quantity	Description
0000026020~P	*		GENERAL ASSEMBLY GRAPHIC



Part No.	Reference No.	Quantity	Description
0000026111~P	*		MODEL NUMBER DESCRIPTION

MODEL NUMBER DESCRIPTION

75005587

REL
C

OUTDOOR UNITS

Example Model Number:

4 A 7 A 0 0 3 6 A 1 0 0 0 A A
1 - - - 5 - - - 10 - - - 15

Digit 1 – Refrigerant Type

2 = R-22
4 = R-410A

Digit 2 – American Standard

Digit 3 – Product Type

6,W = Split Heat Pump
7,T = Split Cooling

Digit 4 – Product Family

V = Variable Speed
Z = Leadership - Two Stage
X = Leadership
R = Replacement/Retail
M or B = Basic
A = Light Commercial
L = Side Discharge

Digit 5 – Family SEER

3 = 13 7 = 17
4 = 14 8 = 18
5 = 15 9 = 19
6 = 16 0 = 20

Digits 6 – Split System Connections 1-6 Tons

0 = Brazed

Digits 7,8 – Nominal Capacity in 000s BTUs

Digit 9 – Major Design Modifications

Digit 10 – Power Supply

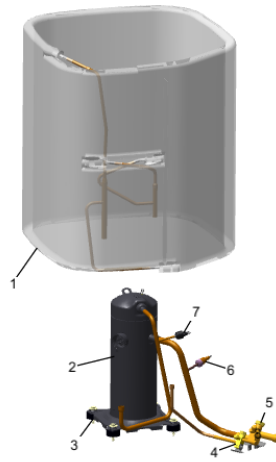
1 = 200-230/1/60 or 208-230/1/60
3 = 200-230/3/60
4 = 460/3/60

Digit 11,12,13 – Secondary Function

Digit 14 – Minor Design Modifications

Digit 15 – Unit Parts Identifier

Part No.	Reference No.	Quantity	Description
0000033528~P	*		REFRIGERATION PARTS LIST



Part No.	Reference No.	Quantity	Description
CAP00156	*	0	CAP, TUBE PLUG, .447-.513 OD
SCR02054	*	4	SCREW; 12-18 AB HXW 1/2 SN
SLV00082	*	0	SLEEVE;
SLV00083	*	0	SLEEVE;
TER00312	*	0	TERMINAL; 8IN. TIE CABLE
TIE00007	*	0	TIE;CABLE
TIE00023	*	2	TIE;CABLE, 8.00IN.
TUB02810	*	8	TUBE; TRANSITION
TUB11547	*	8	TUBE; TRANSITION ASSEMBLY
VAL19479	*	1	VALVE; SUCTION (SMV-JA6YHTLA-L16)
COL31741	1	1	COIL; CONDENSER SPINE-FIN
COM11996	2	1	COMPRESSOR; SCROLL; LG; LBA020C1CLA; 1.75 TON; 19,500 BTUH; 208/230-60-1; R-410A; BRAZED; SUCTION 3/4; DISCHARGE 1/2
SCR02010	3	4	SCREW; 12-18 AB HXW 1/2 SN
CAP01336	4	1	CAP; SERVICE LIQUID VALVE, BRASS, 0.75 OD X 0.57 ID X 11/16-28UN-2B
VAL20538	5a	1	VALVE-SER LIQ O(06-06)
CAP01315	5b	1	CAP; SERVICE LIQUID VALVE, BRASS, 1.06 OD X 0.81 ID X 15/16-20UNEF-2B
SWT03274	7	1	SWITCH, HIGH PRESSURE, SPST, OPEN @ 650 PSIG, CLOSE @ 500 PSIG, 75" YELLOW LEAD